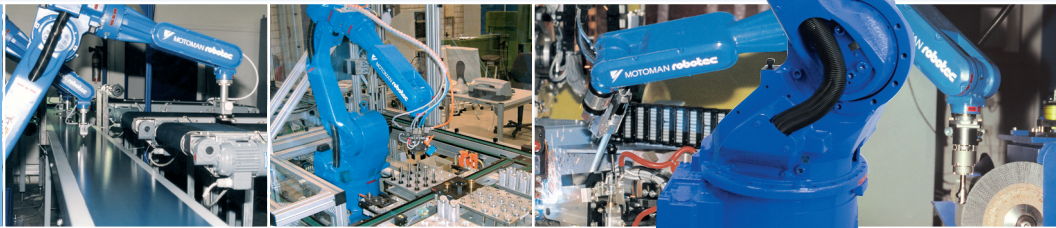
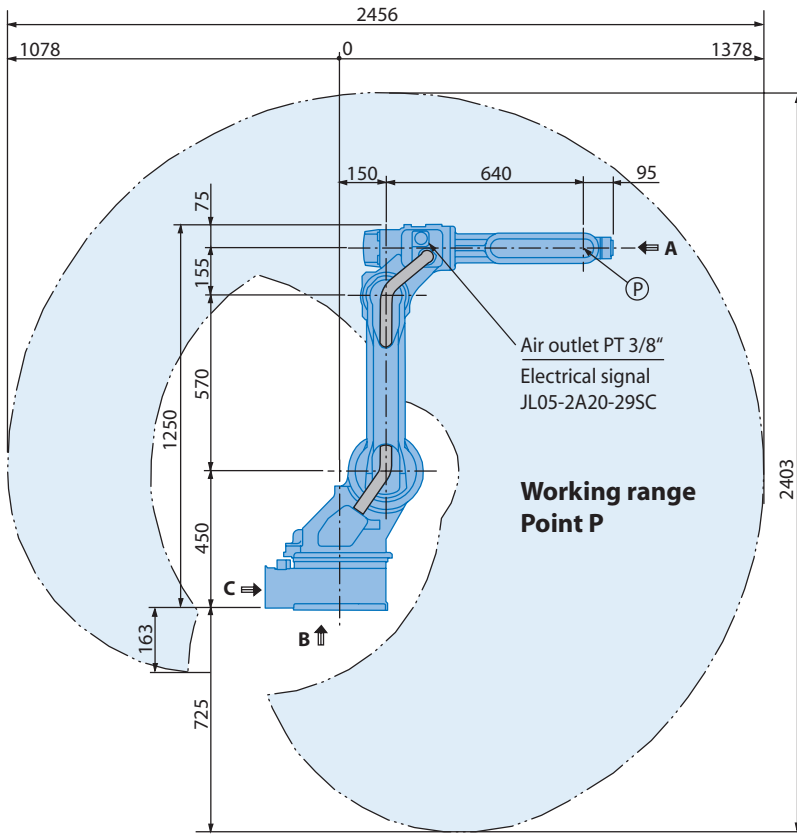
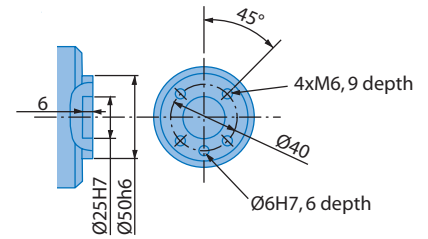


Industrial robot MOTOMAN-SSF2000

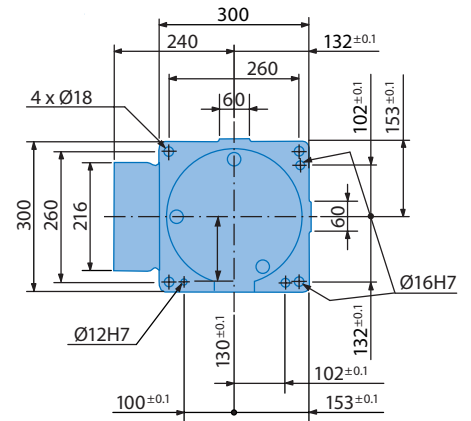




View A



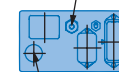
View B



Mounting options:
Floor, wall, ceiling

View C

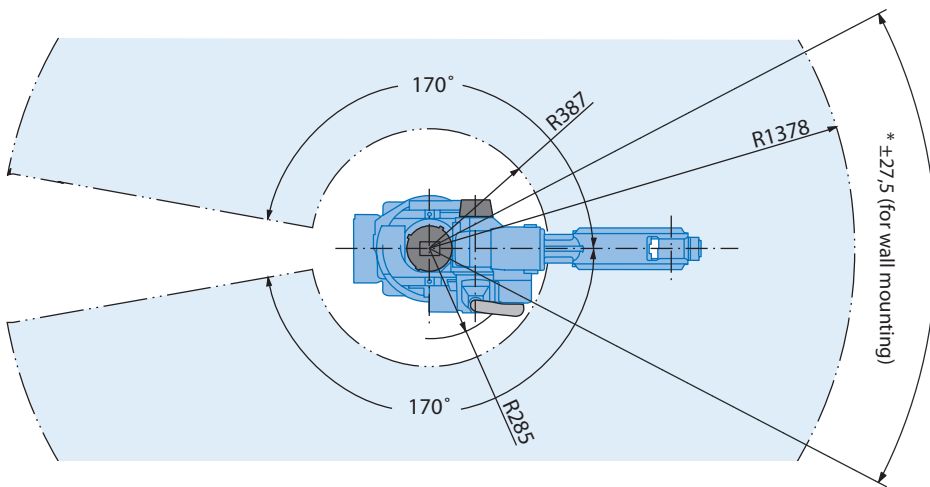
Air inlet PT 3/8"



Electrical signal JL05-2A20-29PC

Notice

- These dimensions are for reference purposes only. Please request detailed drawings for all design/engineering requirements, at www.motoman.de.
- All dimensions in mm



Technical data may be subject to change without previous notice, SSF2000, C-05-2008

Specifications SSF2000

Axes	Maximum motion range [°]	Maximum speed [°/sec.]	Allowable moment [Nm]	Allowable moment of inertia [kg x m ²]	Controlled axes	6
S	±170	210	-	-	Max. payload [kg]	6
L	+155/-90	190	-	-	Repet. pos. accuracy [mm]	±0,08
U	+250/-175	210	-	-	Max. working range [mm]	R = 1378
R	±180	400	11,8	0,24	Temperature [°C]	0 bis +45
B	±135	400	9,8	0,17	Humidity [%]	20 - 80
T	±360	600	5,9	0,06	Weight [kg]	130
					Power supply, average [KVA]	1,5



Headquarters

Kammerfeldstraße 1
D-85391 Allershausen
Fon 0049-81 66-90-0
Fax 0049-81 66-90-103
info@motoman.de
www.motoman.de

Training centre and sales office Frankfurt

Hauptstraße 185
D-65760 Eschborn
Fon 0049-61 96-777 25-0
Fax 0049-61 96-777 25-39
info@motoman.de
www.motoman.de