

WINKLER+ DÜNNEBIER

WD

SB

**Maschine zur Herstellung von
Briefumschlägen und Versandtaschen**

domino

Rencontre avec Macintosh



Le monde Apple vient à vous.

Achtung!

Sonderangebot

mit



Machine for Manufacturing Envelopes and Pockets





Machine for manufacturing Envelopes and Pockets, Type SB

The machine type SB is suitable for manufacturing envelopes and pockets with seal flap gumming, see sketches and size rungs on the last page.

The ready-cut blanks are laid onto the feed plate. The lowermost blank of the pile is fed into the machine allowing a continuous operation.

After that the side-, bottom- and seal flaps are scored.

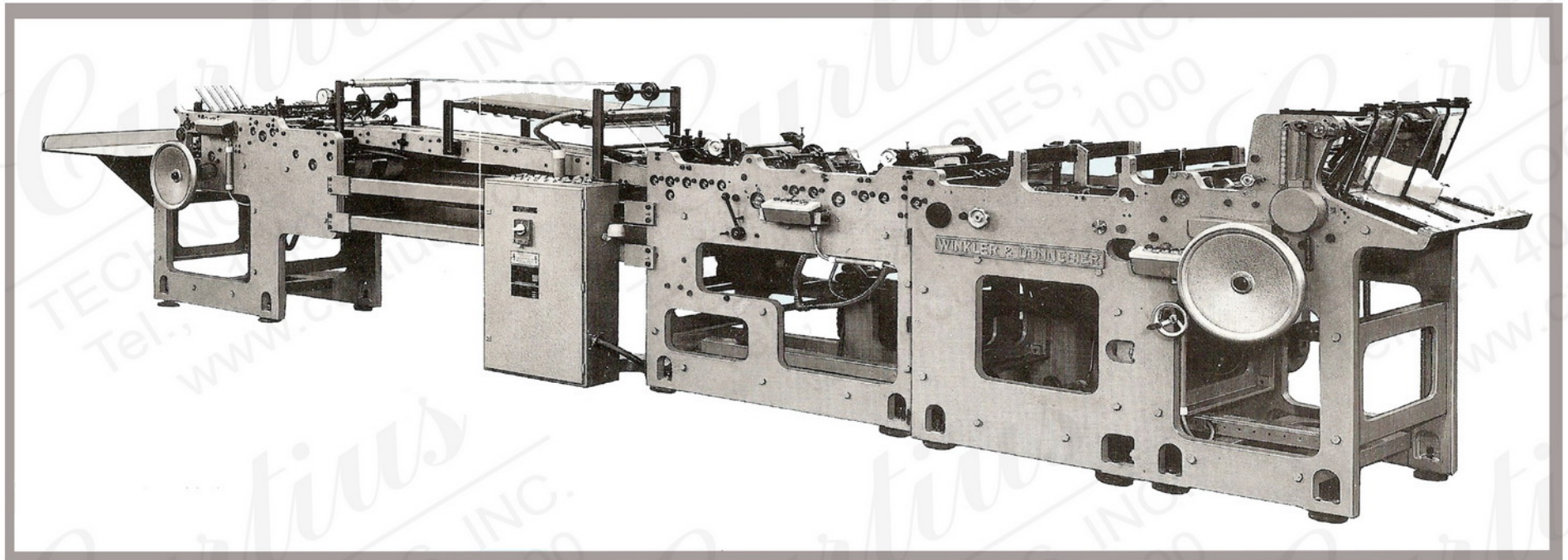
The side flaps are folded, next the bottom flap is gummed and in the bottom flap folding section it is folded down.

After that the envelopes / pockets are staggered in the desired gumming width.

Then the seal flap gumming is applied and dried.

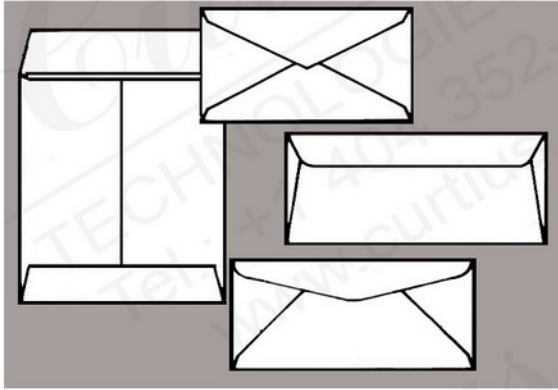
Having left the drying run the envelopes are separated from one another.

In the seal flap folding section the seal flaps are folded and the finished envelopes are laid onto the delivery table and counted.

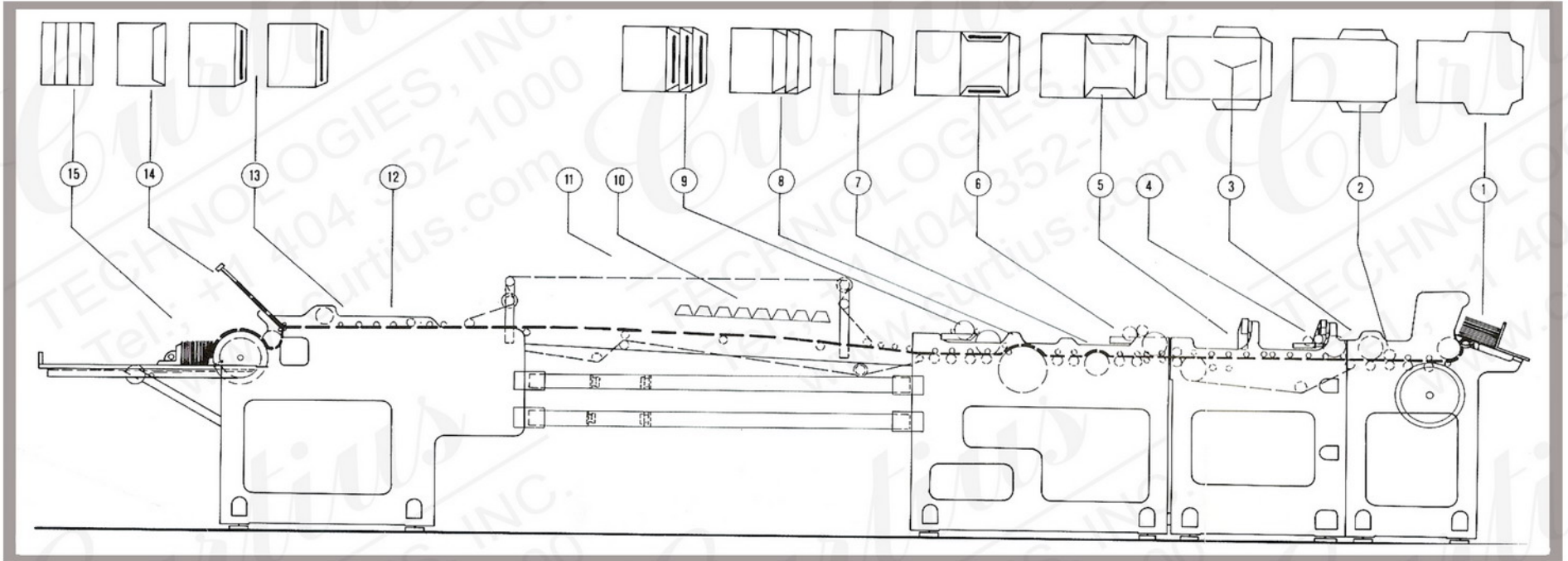




Machine for manufacturing Envelopes and Pockets, Type SB

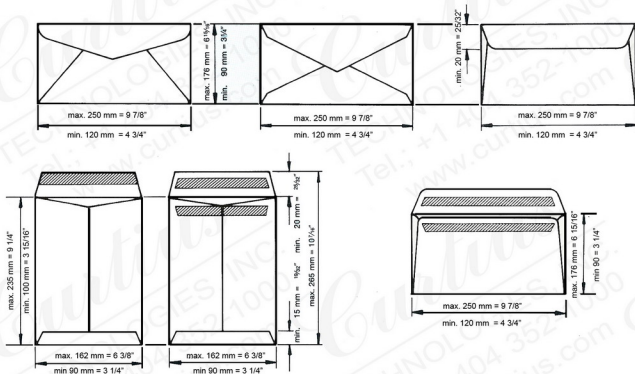


1. Feed unit
2. Longitudinal scoring section
3. Cross scoring section
4. Side flap gumming section
5. Side flap folding section
6. Bottom flap gumming section
7. Bottom lap folding section
8. Staggering section
9. Self-seal gumming section
10. Heating
11. Drying section
12. Segment separation
13. Aligner section
14. Seal flap folding section
15. Delivery



verstellbarkeit

Size ranges



Technical data:

175 mm
365mm

60 120 g/m²
80 - 120 g/m²

max. 300
max. 200

520mm

13kVA
2,2 KW

4.800kg

7.650 mm
1.200 mm

min. blank of thlength
max. blank of thlength

paper weights
envelopes
pockets

output of the machine
products/ minute
remoistenable gumming
self-seal gumming

max. paper passage

power required about
heating max.

weight of the machine about

dimensions of the machine
length about
width about.

