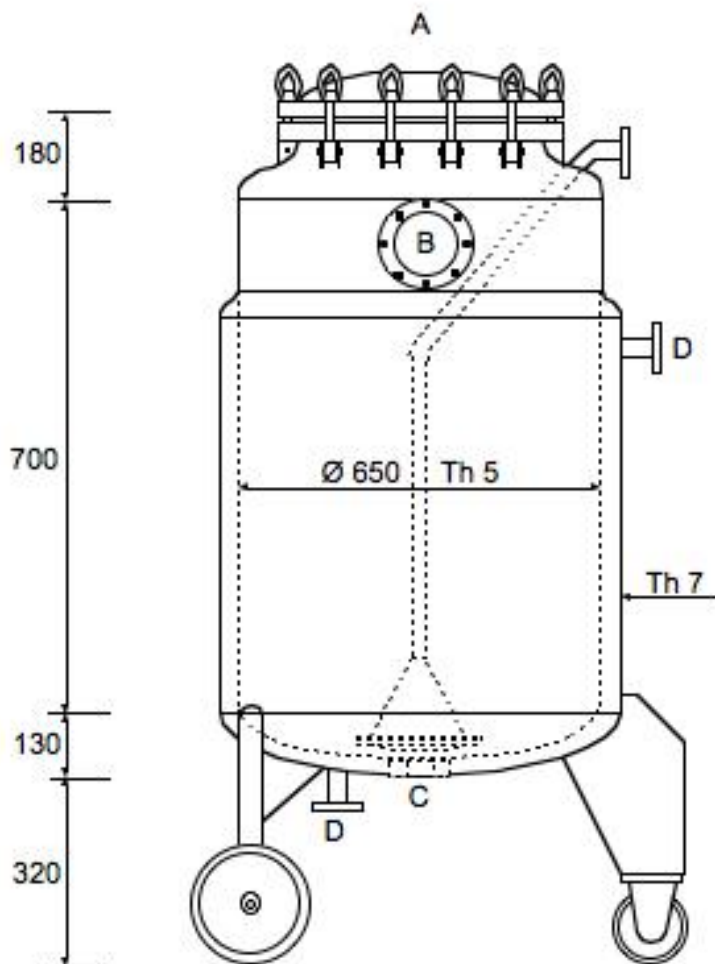


COPRINOX

VESSEL

Code n° **VVJC 002 1093**

Location ref: 96 C1



CAPACITY LITERS _____ 280 _____	SHELL SIDE	JACKET/COIL SIDE	
Design Pressure KG/cm ² Design Temperature °C Material	1	3,5	
	AISI 316	Carbon Steel	
ANCC or ISPESL certification: _____ MI 312583 Availability in stock n° _____ 01 _____ units	NOZZLE DIMENSIONS		
MANUFACTURER _____ INOXA _____	Pos	Service	Size inch.
<input checked="" type="checkbox"/> USED <input type="checkbox"/> USED RECONDITIONED <input type="checkbox"/> UNUSED	A	Product inlet	14"
	B	Sight glass	4"
	C	Product outlet	1"1/4
	D	Heating medium in-out	3/4"
	E		
WEIGHT (approx) Kg _____	NOTE _____ _____ _____		