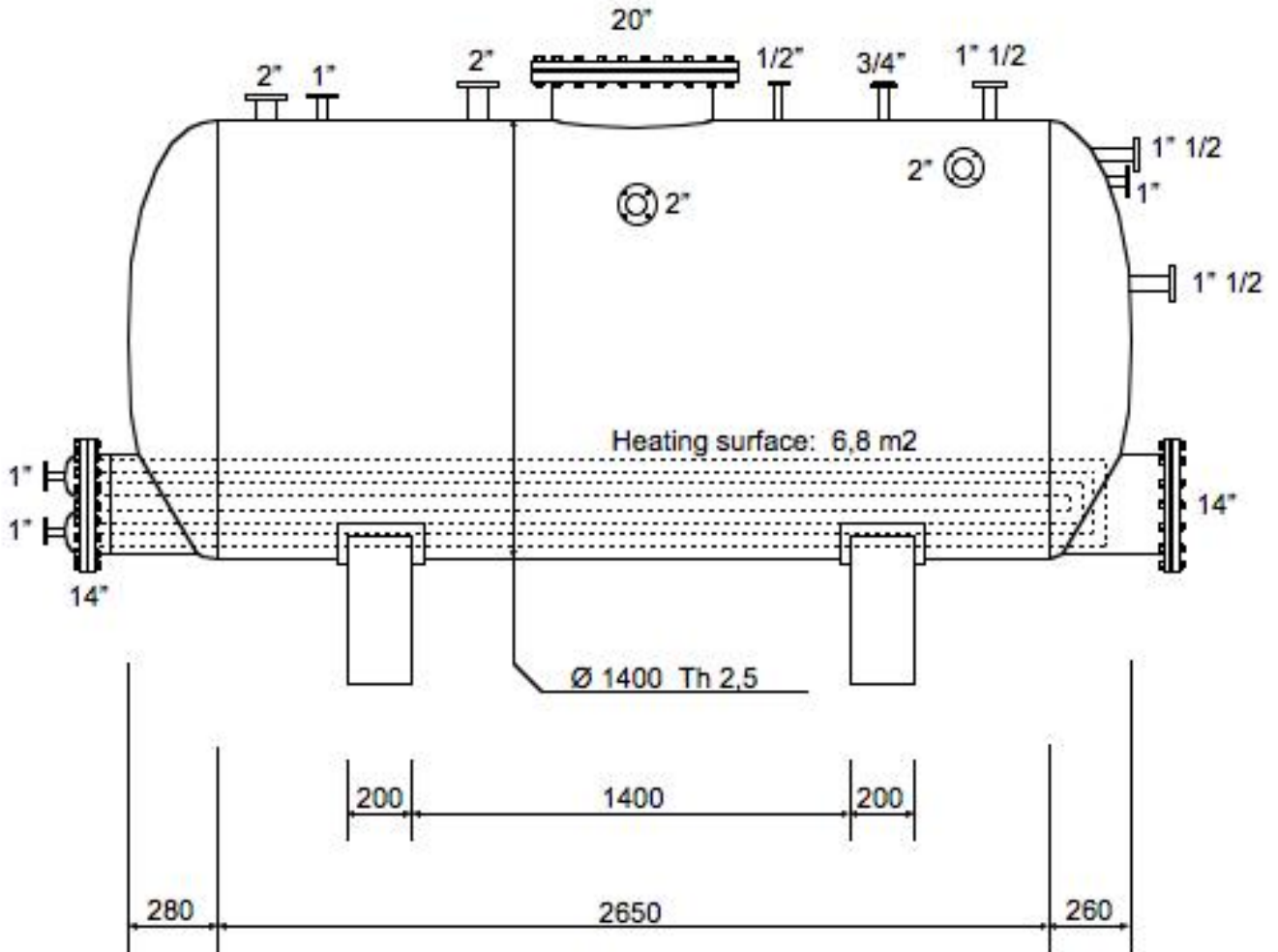


COPRINOX

VESSEL

Code n° VO 046 1356

Location ref: 02 C2



CAPACITY LITERS <u>4.600</u>	SHELL SIDE	JACKET/COIL SIDE	
Design Pressure KG/cm ² Design Temperature °C Material		AISI 304	
ANCC or ISPESL certification: <u>NOT</u> Availability in stock n° <u>01</u> units	NOZZLE DIMENSIONS		
MANUFACTURER _____	Pos	Service	Size inch.
<input type="checkbox"/> USED <input checked="" type="checkbox"/> USED RECONDITIONED <input type="checkbox"/> UNUSED	A		
	B		
	C		
	D		
	E		
WEIGHT (approx) Kg _____	NOTE INTERNAL COIL IN AISI 316		