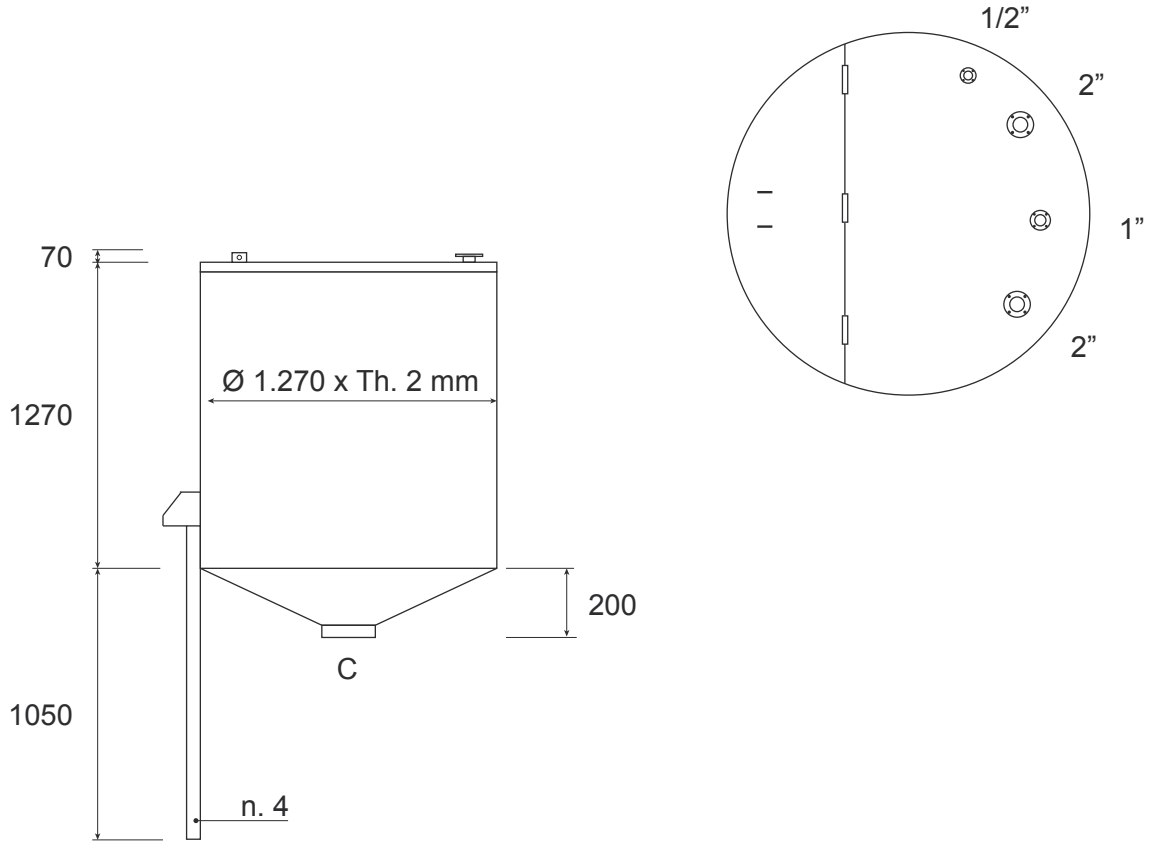


COPRINOX

VESSEL

Code n° **VV 016 1483**Location ref: **14 C1**CAPACITY LITERS **1.600**

SHELL SIDE

JACKET/COIL SIDE

Design Pressure KG/cm²
Design Temperature °C
MaterialANCC or ISPESL certification: **NOT**
Availability in stock n° **01** units

NOZZLE DIMENSIONS

MANUFACTURER _____

 USED
 USED RECONDITIONED
 UNUSED

Pos	Service	Size inch.
A		
B		
C		
D		
E		

NOTE _____

WEIGHT (approx) Kg **300**