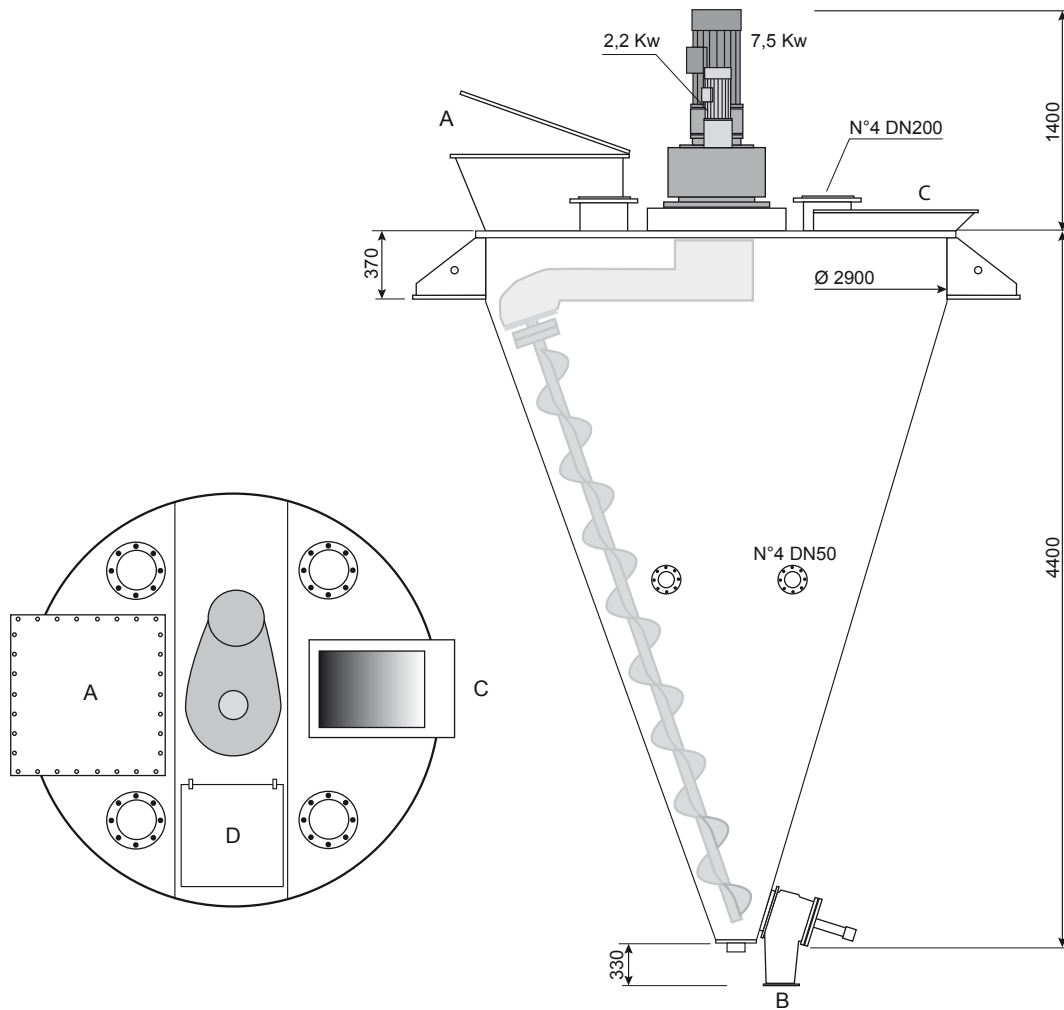


COPRINOX

MIXER

Code n° MX 096 0218

Location ref: 15 G2

CAPACITY LITERS 9600

SHELL SIDE

JACKET/COIL SIDE

Design Pressure KG/cm2

Design Temperature °C

Material

ATM

AISI 304

MIXER TYPE: NAUTA TYPE PLANETAIRE MIXER. ARCOM MIS-ROT-7000 It

Cover type: bolted flat cover

Shaft seal: _____

Installed power HP: 9,7 Kw

Shaft speed RPM: _____

ANCC or ISPEL certification: _____

Availability in stock n° _____ units

MANUFACTURER : ARCOM SPA USED USED RECONDITIONED UNUSEDWEIGHT (approx) Kg 3800

NOZZLE DIMENSIONS

Pos	Service	Size inch.
A	Man hole / loading	800x900mm
B	Product outlet	DN200
C	Product loading	700x700mm
D	Manhole	500x500mm
E		

NOTE Working capacity: 7.000 It