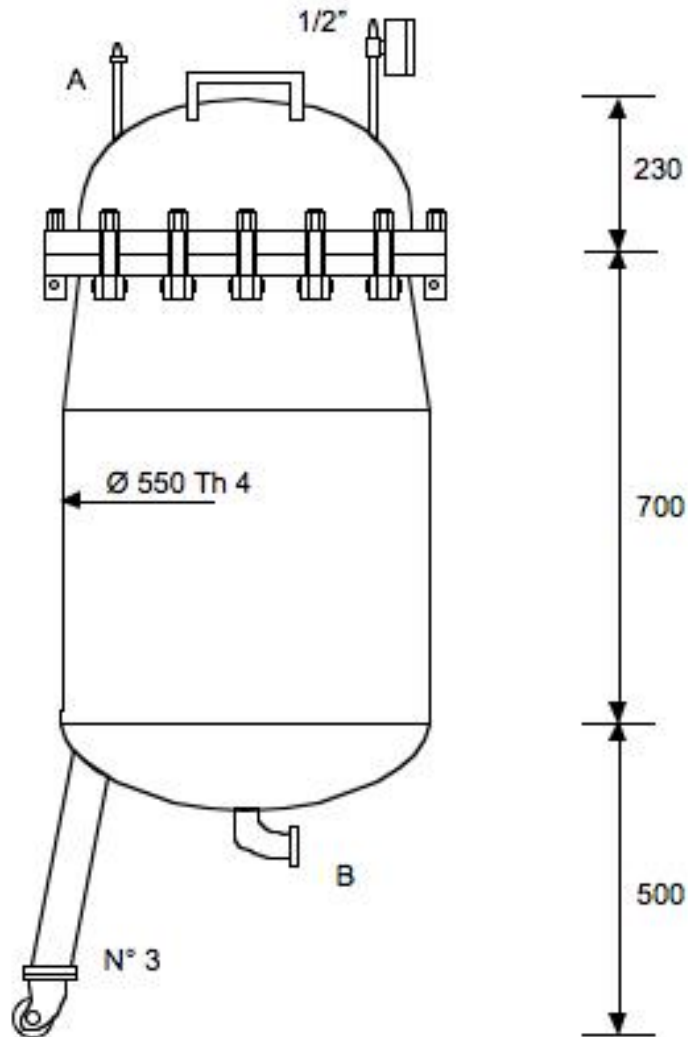


COPRINOX

VESSEL

Code n° VVC 002 1290

Location ref: 99 T2



CAPACITY LITERS _____ 200 _____	SHELL SIDE	JACKET/COIL SIDE	
Design Pressure KG/cm ² Design Temperature °C Material	4 100 AISI 316 L		
ANCC or ISPESL certification: _____ 4459/87/BG Availability in stock n° _____ 02 _____ units	NOZZLE DIMENSIONS		
MANUFACTURER _____ OLSA _____	Pos	Service	Size inch.
<input type="checkbox"/> USED <input checked="" type="checkbox"/> USED RECONDITIONED <input type="checkbox"/> UNUSED	A	Product inlet	1/2"
	B	Product outlet	1"1/4
	C		
	D		
	E		
WEIGHT (approx) Kg _____ 80 _____	NOTE ALL PARTS POLISH MIRROR		