



FRAME DESIGN

Stainless steel.
 Type: R - 4 pcs. M12 tapped holes in the head for fastening.
 Type: RV - Brackets in stainless steel for clamping on wall.
 Type: RGS - Bracket and column in stainless steel for clamping on foundation plate.
 Design pressure: 16 bar (1.6 MPa).

INTERMEDIATE FRAMES

Stainless steel - exchangeable corner blocks in stainless steel AISI 316.
 Max. difference of pressure between two sections 6 bar (0.6 MPa).

CONNECTIONS - FRAMES

Sanitary: All mentioned types.
 25 x 1.25 mm (AISI 316) pipes, fig. 1.
 Delivered with the following types of nipple welded on:
 DS/BS/ISO/SMS/clamp, and NW 25 (DIN 11851).
 Alternatively complete union.

CONNECTIONS - INTERMEDIATE FRAMES

Sanitary: 25 x 1.25 mm (AISI 316) pipes, fig. 2.

Delivered with the following types of nipple welded on:
 DS/BS/ISO/SMS/clamp, and NW 25 (DIN 11851).
 Alternatively complete union.

PLATES

Thermally long/thermally short.
 Effective area: 0.04 m².
 Material : Stainless steel AISI 316.

GASKETS

Rubber: NBR - EPDM.

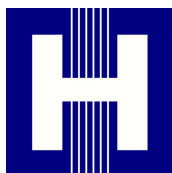
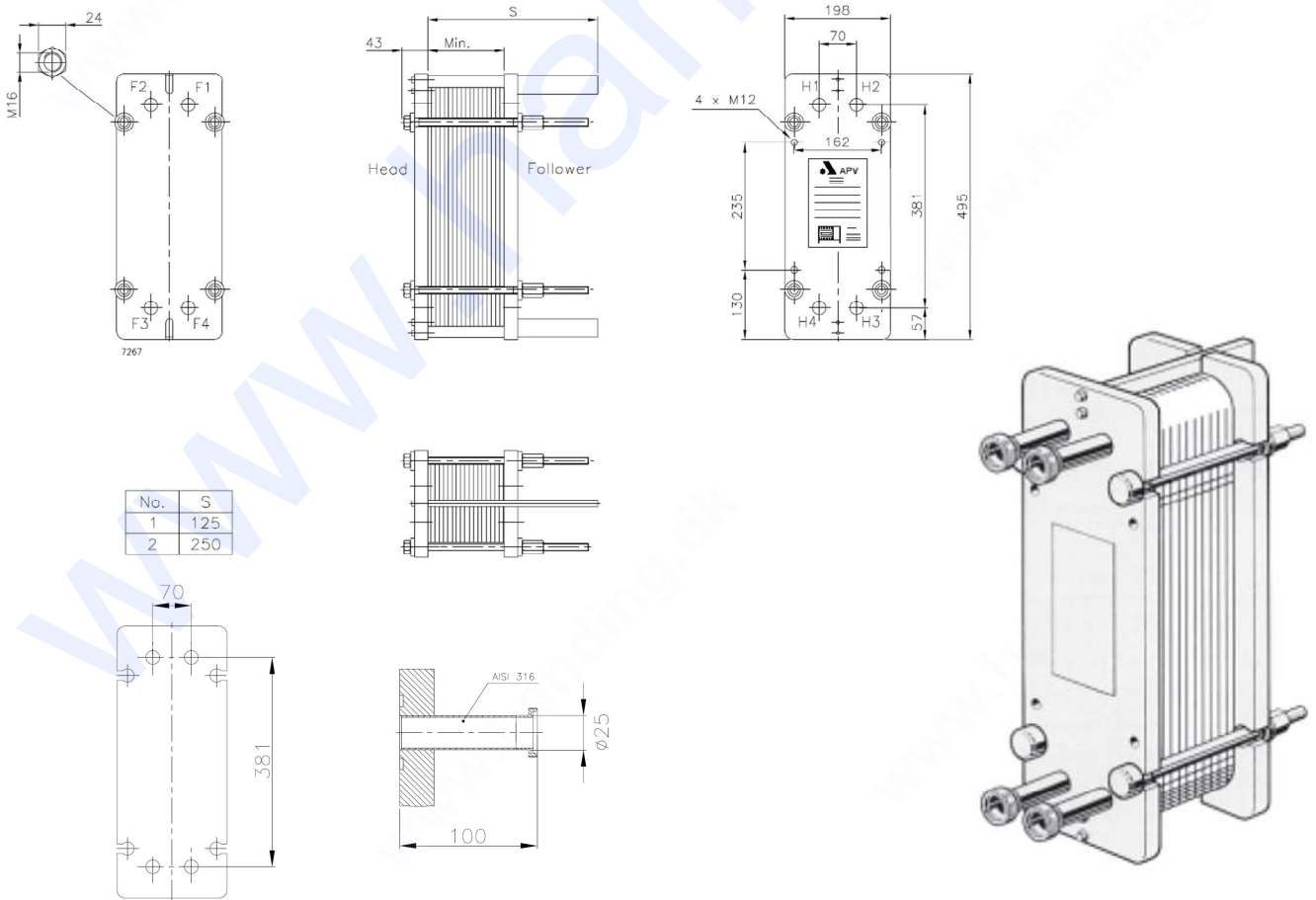
PRESSURE

The APV standard construction is based on the SVENSK TRYCKKÄRLSNORMER for max. 120°C, where the ratio of test pressure to working pressure is 1.3.

ALTERNATIVE DESIGNS

Frames according to different standards or higher temperatures.
 Connection unions according to different standards.

All the mentioned types are available with intermediate frames and safety plate.



Handing ApS™
 Nordkranvej 5-9, Vassingerød
 DK - 3540 Lyngø
 Tel.: +45 48160166
 www.handing.dk

**APV
 Type T4**

Dette dokument er vejledende.
 Der tages forbehold for fejl.
 This document is only guiding.
 We make reservation for possible errors.
 Copyright © By Handing ApS. All Rights Reserved.

Alle mål i mm.
 All measures in mm.

Lager nr. /LH

A223