

Stainless steel centrifugal pumps for hygienic process applications, according to EHEDG

CPC-line

The **CPC-line** is designed for applications in the pharmaceutical and food industry, with a strong focus on optimal cleanability, efficiency, low maintenance costs and a simple (dis)assembly.

The **CPC-line** is characterised by its elegant but robust and stable build, which makes the **CPC-line** extremely suited for all occurring production processes in the pharmaceutical and food processing industry.

Ultra clean

All liquid contact parts of the CPC pumps are compliant with the relevant standards. The open impellers are provided with pressure relieve holes, which at the same time ensure an optimal cleaning of the shaft seal and of the seal chamber. The impeller is 'dry' mounted to the shaft by means of "O"-rings. The applied "O"-ring constructions are designed to minimise the liquid contact and at the same time to provide an optimal cleaning of the contact faces.

Efficiency

The **CPC-line** is designed with narrow gaps, whereas the eminently manufactured impellers ensure very favourable efficiencies.

Depending on the application range but always compliant with the hygienic standards the **CPC-line** can be executed with several options:

- Mechanical seal types and materials
- "O"-ring materials
- Surface roughness
- Drain constructions
- Heating jacket

CPC-line HD

This is the high pressure version of the **CPC-line**.

This pump has been developed as a booster pump for high pressure systems to 40 bars. Its external dimensions are equal to the **CPC-line**.

Materials

All parts that come into contact with the pumped liquid are made of stainless steel, Materials nr. 1.4404. At request these parts can also be made of Materials nr. 1.4435 or Materials nr. 2.4602 (Hastelloy C22).

Drives

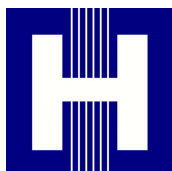
KAM and KAV are supplied with B3/B5 foot and flange mounted motors according to IEC, with balanced stainless steel stub shaft.

KAC is supplied with B5 flange mounted motors according to IEC with balanced stainless steel stub shaft (only available upto motor size IEC 132).

Motors can be supplied in all available efficiency, isolation, protection and voltage classes. Also available in ATEX compliant version and in noise-reduced execution.

IG can be supplied with either electric, pneumatic or combustion motors.

IGH is equipped with hydraulic motor.



Handing ApS™
Nordkranvej 5-9, Vassingerød
DK - 3540 Lyngø
Tel.: +45 48160166
www.handing.dk

Pomac CPC 21044

Dette dokument er vejledende.
Der tages forbehold for fejl.
This document is only guiding.
We make reservation for possible errors.

Copyright © By Handing ApS. All Rights Reserved.

Alle mål i mm.
All measures in mm.

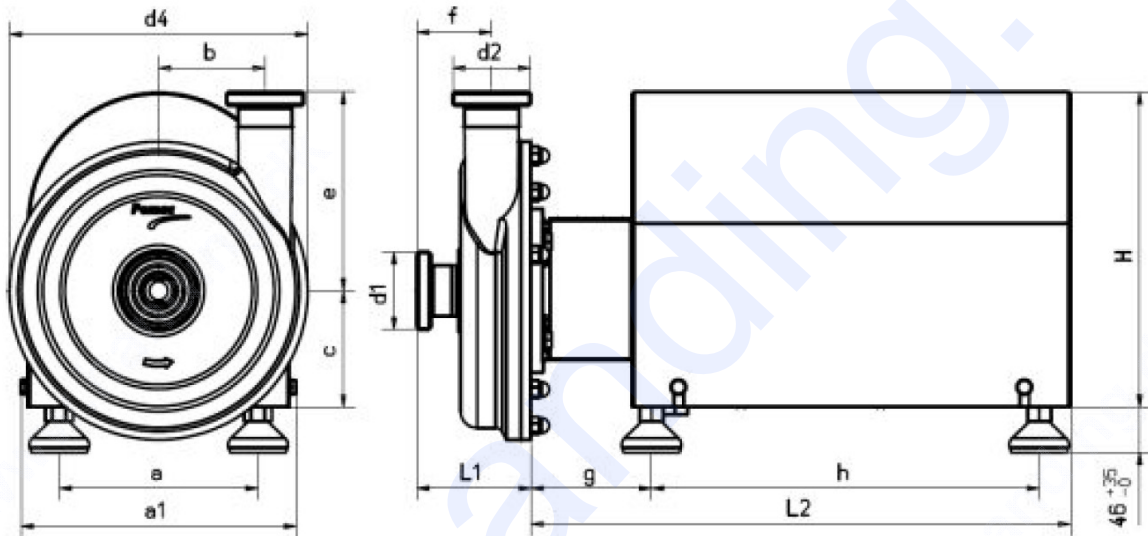
Lager nr. /LH

PC9237

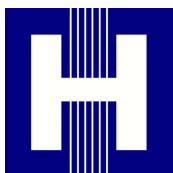
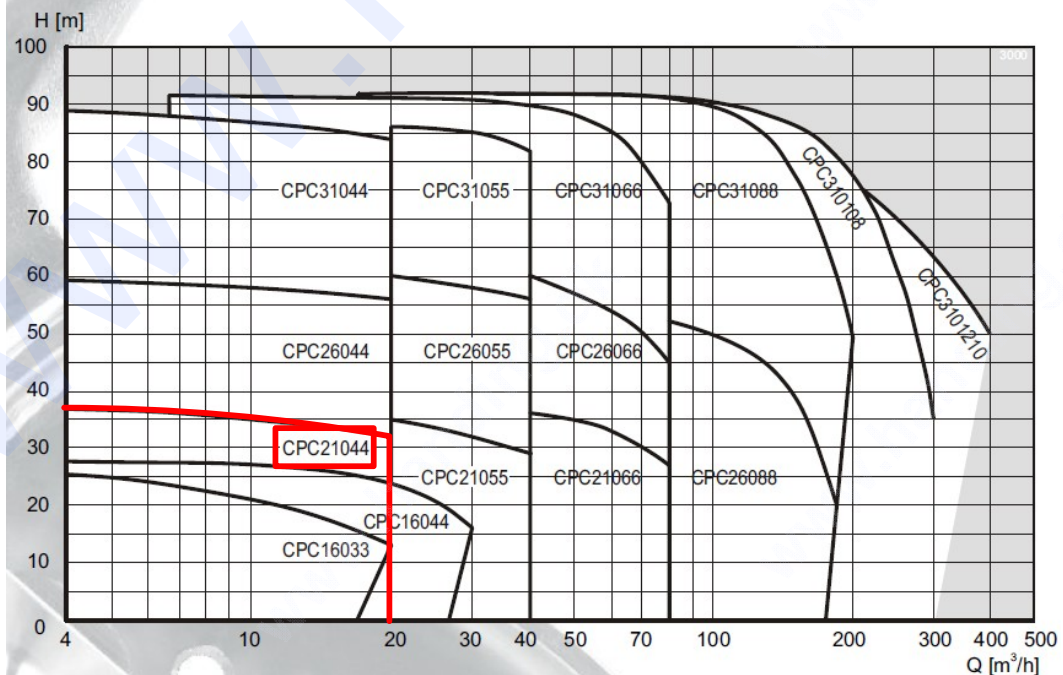
Dimensions

Pump

Size	d1	d2	d alt.	d4	NW1	NW2	b	e	f	L1
16033	1,5"	1,5"		200	40	40	68	148	67	98
16044	2"	2"	1,5"	200	50	50	68	148	69	100
21044	2"	2"		250	50	50	82	168	75	115



3000 min⁻¹



Handing ApS™
 Nordkranvej 5-9, Vassingerød
 DK - 3540 Lyngø
 Tel.: +45 48160166
 www.handing.dk

Pomac CPC 21044

Dette dokument er vejledende.
 Der tages forbehold for fejl.
 This document is only guiding.
 We make reservation for possible errors.
 Copyright © By Handing ApS. All Rights Reserved.

Alle mål i mm.
 All measures in mm.

Lager nr. /LH

PC9237