

PERFORMANCE RANGE

- Flow rate up to **160 l/min** (9.6 m³/h)
- Head up to **56 m**

INSTALLATION AND USE

Designed to transfer clean water free from abrasive particles and liquids that will not damage the pump's components.

Reliable and easy to operate, these pumps have extensive application in domestic and civil settings, particularly for distributing water with small to medium-sized pressure tanks, transferring fluids, and watering orchards and gardens.

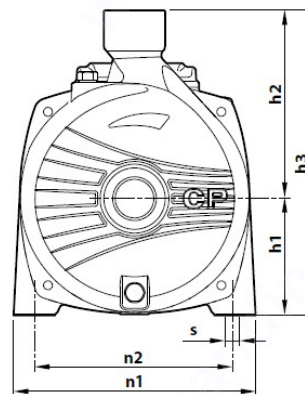
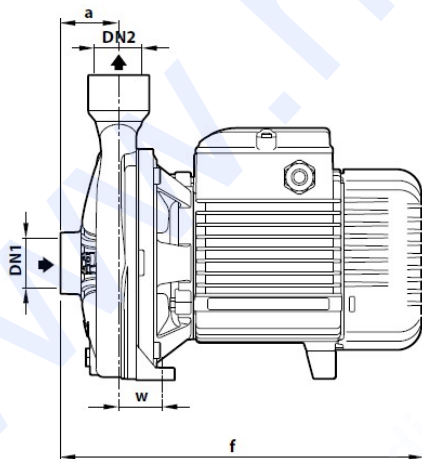
※ **The AISI 304 stainless steel impeller comes with a ten-year guarantee**

ELECTRIC MOTOR

Equipped with cutting-edge electric motors, the three-phase pumps are designed to work with inverters, offering stable and noiseless performance.

They feature efficiency class **IE3** for three-phase motors and **IE2** for single-phase motors, bolstered by class F insulation and IPX4 protection.

DIMENSIONS AND WEIGHT



APPLICATION LIMITS

- Manometric suction head up to **7 m**
- Liquid temperature between **-10 °C** and **+90 °C**
- Ambient temperature up to **+40 °C**
- Maximum working pressure:
 - **6 bar** for CP 100-130-132-150-158
 - **10 bar** for CP 170-190-200

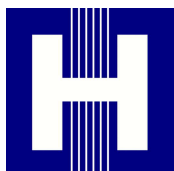
AVAILABLE UPON REQUEST

- ※ Mechanical seal options available
- ※ Protection rating IP X5 for CP 170, CP 170M
- ※ Different voltage requirements 60 Hz frequency

PATENTS - TRADE MARKS - MODELS

- CPm158 registered trademark no. 0001516350
- Registered community model no. 002098434

TYPE		PORTS		DIMENSIONS mm								kg			
Single-ph.	Three-ph.	DN1	DN2	a	f	h3	h1	h2	n1	n2	w	s	1~	3~	
CPm 132	CP 132	1"	1"	42								11	8.5	8.5	
CPm 150	CP 150													12.3	12.2
CPm 158	CP 158				286	240	92	148	190	160	37				12.4



Handing ApS™
Nordkranvej 5-9, Vassingerød
DK - 3540 Lyngø
Tel.: +45 48160166
www.handing.dk

Centrifugalpumpe Pedrollo CP 158 – ST6

Dette dokument er vejledende.
Der tages forbehold for fejl.
This document is only guiding.
We make reservation for possible errors.

Copyright © By Handing ApS. All Rights Reserved.

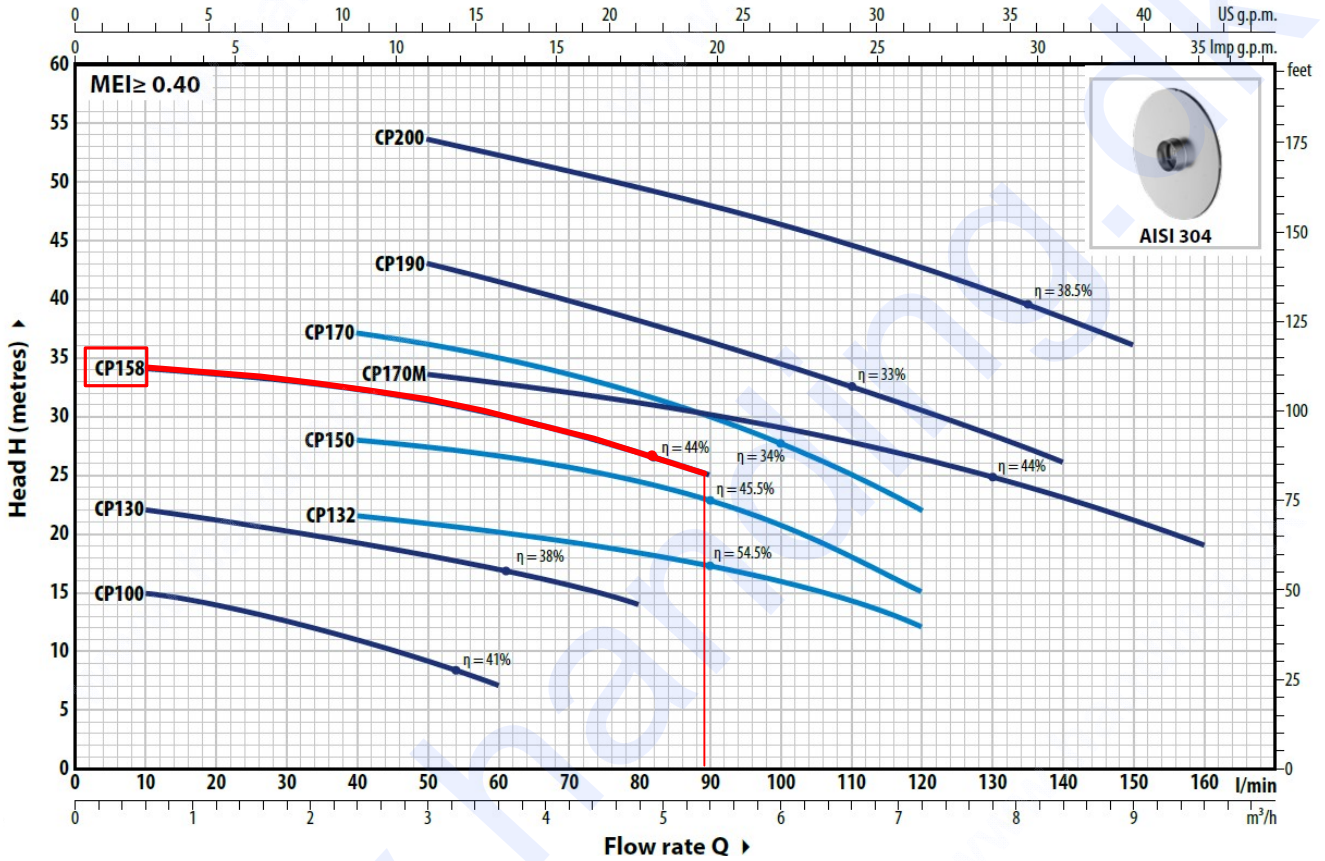
Alle mål i mm.
All measures in mm.

Lager nr. /LH

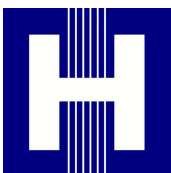
PC9240

CURVES AND PERFORMANCE DATA – HS=0 m

50 Hz



TYPE		POWER (P ₂)		1~3~	Q	m ³ /h																		
Single-ph.	Three-ph.	kW	HP			0	0.6	1.2	1.8	2.4	3.0	3.6	4.2	4.8	5.4	6.0	6.6	7.2	7.8	8.4	9.0	9.6		
						l/min																		
						H metres																		
CPm 158	CP 158	0.75	1	IE2	IE3	36	34	33.5	33	32.5	31.5	30	28.5	27	25									



Handing ApS™
Nordkranvej 5-9, Vassingerød
DK - 3540 Lyngby
Tel.: +45 48160166
www.handing.dk

**Centrifugalpumpe
Pedrollo CP 158 – ST6**

Dette dokument er vejledende.
Der tages forbehold for fejl.
This document is only guiding.
We make reservation for possible errors.
Copyright © By Handing ApS. All Rights Reserved.

Alle mål i mm.
All measures in mm.

Lager nr. /LH

PC9240