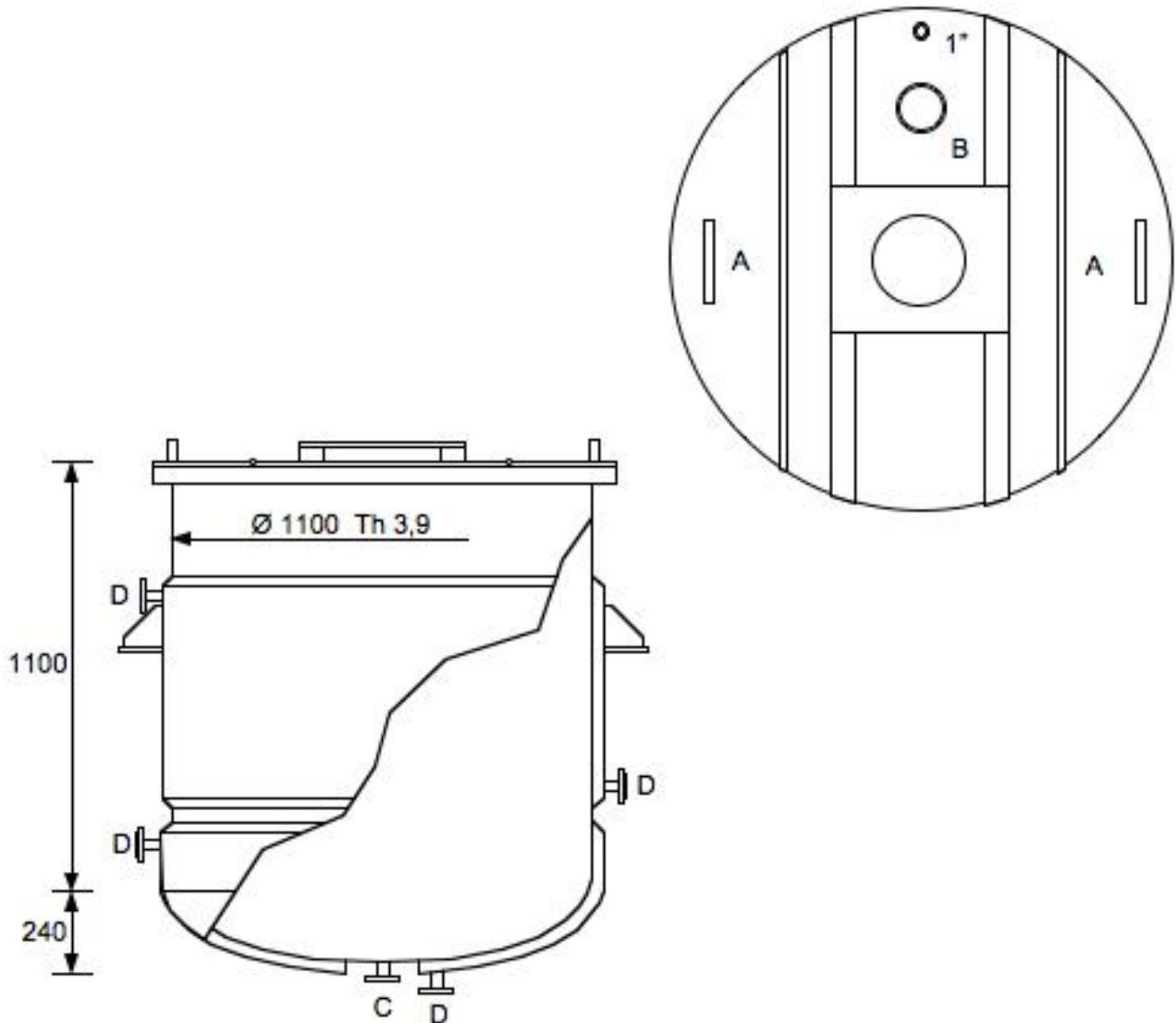


# COPRINOX

## VESSEL

Code n° **VV 012 1477**

Location ref: 97 A2



<b>CAPACITY LITERS</b> _____ <b>1.200</b> _____	<b>SHELL SIDE</b>	<b>JACKET/COIL SIDE</b>	
Design Pressure KG/cm2 Design Temperature °C Material	AISI 304	Carbon Steel	
ANCC or ISPESL certification: _____ NOT Availability in stock n° _____ 01 _____ units	<b>NOZZLE DIMENSIONS</b>		
<b>MANUFACTURER</b> _____	<b>Pos</b>	<b>Service</b>	<b>Size inch.</b>
<input checked="" type="checkbox"/> USED <input type="checkbox"/> USED RECONDITIONED <input type="checkbox"/> UNUSED	A		
	B		3"
	C		1"1/4
	D		1"1/2
	E		
<b>WEIGHT (approx) Kg</b> _____ <b>800</b> _____	<b>NOTE</b> Damaged Jacket		