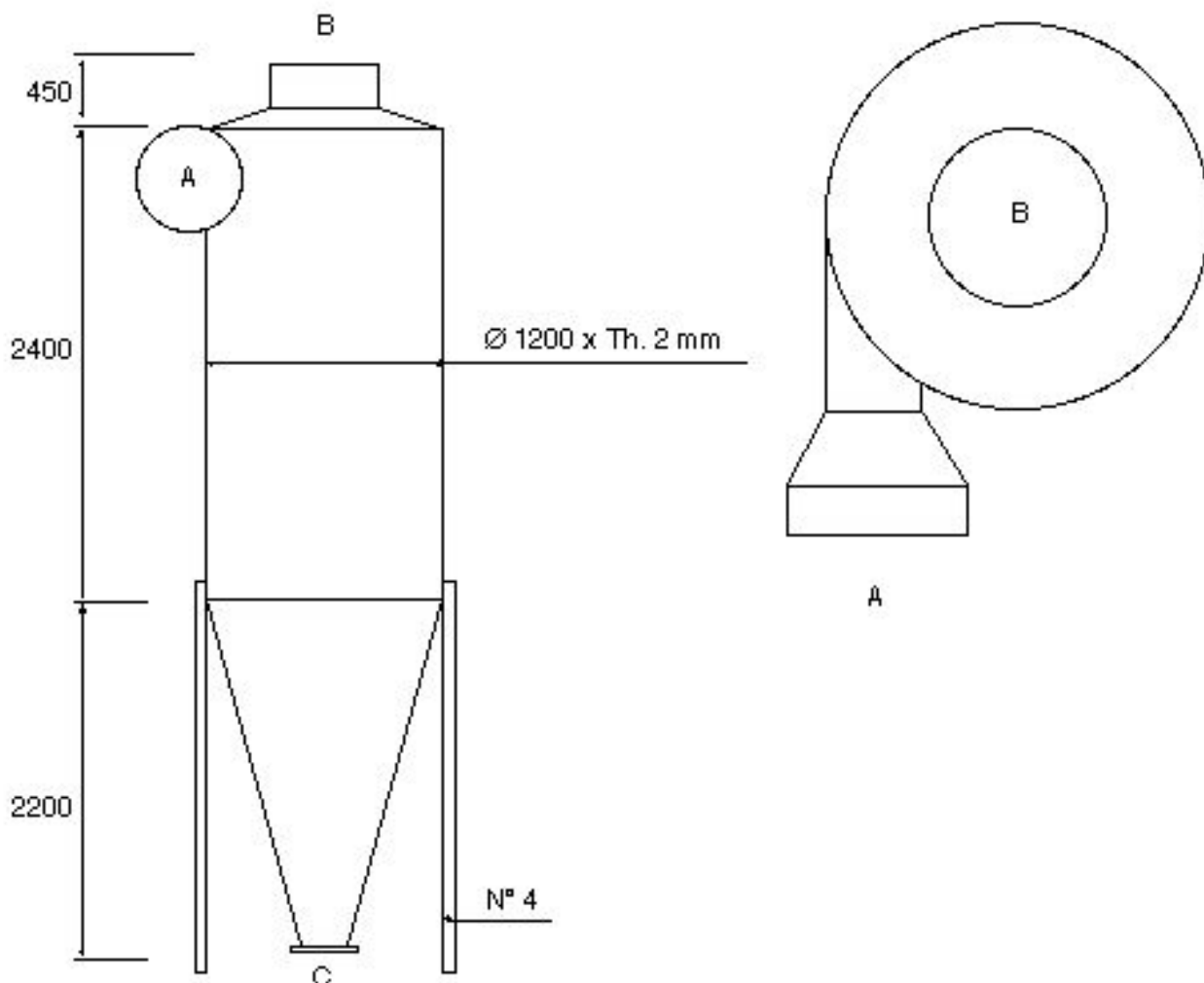


# COPRINOX

## VESSEL

Code n° **VV 037 1398**

Location ref: C1



<b>CAPACITY LITERS</b> <u>3.700</u>	<b>SHELL SIDE</b>	<b>JACKET/COIL SIDE</b>	
Design Pressure KG/cm <sup>2</sup> Design Temperature °C Material	AISI 316		
ANCC or ISPESL certification: <u>NOT</u> Availability in stock n° <u>01</u> units	<b>NOZZLE DIMENSIONS</b>		
<b>MANUFACTURER</b> _____	<b>Pos</b>	<b>Service</b>	<b>Size inch.</b>
<input checked="" type="checkbox"/> USED <input type="checkbox"/> USED RECONDITIONED <input type="checkbox"/> UNUSED	A	Product inlet	24"
	B	Product outlet	24"
	C	Product discharge	10"
	D		
	E		
<b>WEIGHT (approx) Kg</b> <u>600</u>	<b>NOTE</b> _____ _____ _____		