

USER MANUAL

Imaging Tables



CFPMFXH
integrated headrest top



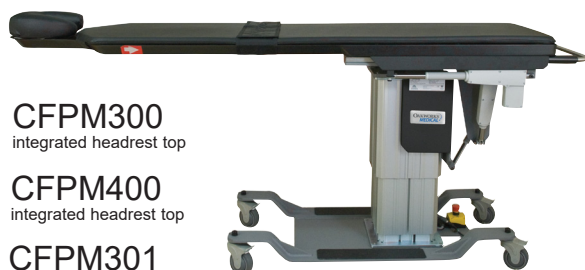
CFPMFXH
rectangular top



CFPM100
integrated headrest top



CFPM100
rectangular top



CFPM300
integrated headrest top

CFPM400
integrated headrest top

CFPM301
integrated headrest top

CFPM401
integrated headrest top



CFPM300
rectangular top

CFPM400
rectangular top

CFPM301
rectangular top

CFPMB301
rectangular top - Bariatric Version

CFPM401
rectangular top



CFUR301
Urology Table

CFUR401
Urology Table



CFLU401
Lithotripsy Table

Notice

The information contained within this document is subject to change without notice and should not be construed as a commitment by OAKWORKS[®], Inc.

OAKWORKS[®], Inc. encourages requests for technical specifications and the like documentation to ensure accuracy. The appropriate documentation is available upon request.

OAKWORKS[®], Inc. shall not be liable for incidental or consequential damages in connection with or arising out of the furnishing, performance, or use of this document and the program material which it describes.

Printed in U.S.A.

All rights are reserved. No part of this document may be photocopied, reproduced or translated to another language without prior written consent of OAKWORKS[®], Inc.

OAKWORKS[®] is a registered trademark of OAKWORKS[®], Inc.

TABLE OF CONTENTS

- Product Use Description** 1
- Important Safety Instructions**
 - Symbol Identification 1
 - Contraindications 1
 - Safety Instructions 2-3
- Product Description & Photo**
 - CFPMFXH 4
 - CFPM100 5
 - CFPM300 6
 - CFPM400 7
 - CFPM301 8
 - CFPMB301 - Bariatric 9
 - CFPM401 10
 - CFLU401 - Lithotripsy 11
 - CFUR301 - Urology 12
 - CFUR401 - Urology 13
- Installation**
 - Grounding 14
- Directions for Use**
 - Hand Control / Foot Control Operations 15-16
 - Bubble Levels 17
 - Angle Indicator 17
 - Patient Restraint Strap 17
 - Remove / Replace the Table Top Pad 18
 - Adjusting Cranial Positioning Pads (integrated headrest tops only) 18
 - Locking Casters Use 19
 - Emergency Stop 19
 - Weight Capacity & Patient Use 20
 - Urology Table Bag Hoop 20
 - Lithotripsy/Urology & Urology Table Lateral Extensions 21
 - Lithotripsy/Urology & Urology Table End Extensions 22
 - Lithotripsy Table used as Urology Table 22
 - Carbon Fiber Arm Board 23
 - Adjustable T-Rail Clamp 23
 - Spine Positioning System II 24
 - Fluoro Extender 24
- Reference - Usable Imaging Area Diagrams**
 - CFPMFXH & CFPM 100 - Integrated Headrest & Rectangular Tops 25-26
 - CFPM400, CFPM300, CFPM401 & CFPM301 - Integrated Headrest Top 27
 - CFPM400, CFPM300, CFPM401, CFPM301 & CFPMB301 - Rectangular Top 28
 - CFUR301 & CFUR401 - Urology Top 29
 - CFLU401 - Lithotripsy / Urology Top 30
- Cleaning & Disinfection / Inspections / Warranty**
 - Recommended Disinfectants / Cleaners 31
 - Cleaning Process 32
 - Inspections & Maintenance 32
 - Warranty Information 32
- Unique Device Identification (UDI) Information** 33
- Specifications**
 - Product Specifications 34
 - Environmental Conditions 34
 - Electrical Specifications 34
 - Guidance and manufacturer’s declaration -
Electromagnetic emissions 35
 - Recommended separation distances 35
 - Guidance and manufacturer’s declaration -
Product Disposal 36
- Contact Information** back cover

PRODUCT USE DESCRIPTION / IMPORTANT SAFETY INSTRUCTIONS

PRODUCT USE DESCRIPTION

OAKWORKS® Imaging Tables are radiographic tables intended for use with mobile or compact stationary C-arm Imaging Systems. It is ideally suited for pain management imaging and therapeutic procedures. These tables are suitable to use for diagnostic x-ray imaging and imaging during therapeutic procedures such as spinal injections, vertebroplasty procedures and other pain management procedures. The CFLU and CFUR Tables are designed for Lithotripsy and Urology procedures. It is intended to be operated by a healthcare professional in a medical environment. No special training is required but a review of the following Safety Instructions is important for the safety of the operator and patient. The healthcare professional should read and understand this entire manual before use with a patient.

NOTE The EMISSIONS characteristics of this equipment make it suitable for use in industrial areas and hospitals (CISPR 11 class A). If it is used in a residential environment (for which CISPR 11 class B is normally required) this equipment might not offer adequate protection to radio-frequency communication services. The user might need to take mitigation measures, such as relocating or re-orienting the equipment.

SYMBOL IDENTIFICATION



This symbol, when used in this manual and on product labels, represents a caution warning. Be sure to read and comply with all precautions and warnings.



This symbol, when used in this manual and on product labels, warns against an electrical shock hazard. Be sure to observe and comply with all warnings.



This symbol, when used in this manual and on product labels, indicates the potential of exposure to harmful x-rays. Be sure to read and comply with all warnings.



This symbol, when used in this manual and on product labels, indicates that the table and components are a Type B Applied Part pursuant to IEC 60601-1: 2005.



This symbol, when used in this manual or on product labels, indicates a Protective Earth (Ground) Terminal.



This symbol, when used in this manual or on product labels, indicates the date of manufacture of the device.



This symbol, when used in this manual or on product labels, indicates alternating current (AC).



This symbol, when used in this manual or on product labels, indicates direct current (DC).



This symbol is used to indicate that the operator should consult the user manual.



Sitting is prohibited in this area.

CONTRAINDICATIONS

The OAKWORKS® Imaging Tables should not be used with Imaging systems having intensifier screens or film cassettes larger than 12 inches (30 cm) when an oblique angle of view is being used. The tables are not designed for and should not be used with Magnetic Resonance Imaging procedures.

IMPORTANT SAFETY INSTRUCTIONS

IMPORTANT SAFETY INSTRUCTIONS



CAUTION READ AND SAVE THESE INSTRUCTIONS

After unpacking your table, inspect it thoroughly for damage. If you suspect a problem do not use the table and call our customer service department at 800-916-4612.

Improper use of this device can cause injury. Be sure to read all operating instructions prior to use.



IMPORTANT - If the Foot Control is ordered, you must install a Foot Control Cradle per Installation Instruction part number MMINMD0008-EN.

Weight limit (patient and accessories): 227 kg / 500 lbs. distributed evenly. (Bariatric Table only: 340 kg / 750 lbs.)

Do not sit beyond warning line on carbon fiber top. On Lithotripsy / Urology Top - Do not sit on any extensions (Weight Limit: 200 lbs. / 91 kg.)

The table utilizes four locking casters to permit movement of the table within the imaging suite. Accidental movement of the table may occur. Lock casters prior to accomplishing imaging of the patient. Lock casters when the patient is mounting & dismounting the table.

The table should not be used adjacent to or stacked with other equipment and that if adjacent or stacked use is necessary, the table should be observed to verify normal operation in the configuration in which it will be used.

The use of Accessories, transducers, and cables other than those specified (with the exception of transducers and cables sold by the Manufacturer of this device as replacement parts for internal components) may result in increased Emissions or decreased Immunity of the table.

The table is designed to be a standalone table used with radiographic equipment. This table must not be modified or incorporated into any other equipment.

There may be pinch points under the table top. Do not have any body part under the top when the table is in motion.

Be certain that the table is completely lowered prior to discharging an ambulatory patient. The patient may lose balance and fall. NOTE: The CFPMFXH is a fixed height table. It is recommended that all patients are assisted onto the table (physical assistance & step stools with side rails is recommended.)

Patient must be secured with Safety Restraint Strap prior to using the tables.

Medical Electrical Equipment needs special precautions regarding EMC and needs to be installed and put into service according to the EMC information provided in the specifications at the end of this manual. (Excluding CFPMFXH)

Portable and Mobile RF Communications Equipment can affect Medical Electrical Equipment. (Excluding CFPMFXH)

This table is not suitable for use in the presence of flammable anesthetic mixture with air or oxygen or nitrous oxide.

Electrical Shock Hazard. (Excluding CFPMFXH) The power supply/control module is located inside the lifting column and under the top. No user serviceable parts are inside. Refer servicing to qualified personnel. Unplug wall connector prior to contact with any cables connected to the power supply.

To avoid the risk of electric shock, this equipment must only be connected an outlet this is properly grounded. See GROUNDING instructions in this manual.

Grounding reliability can only be achieved when this equipment is connected to an equivalent 3 prong receptacle marked "Hospital Only" or "Hospital Grade".

Oakworks medical tables are designed and built to provide many years of dependable service. Please follow local regulations and laws when disposing of the electrical components used in this table.

IMPORTANT SAFETY INSTRUCTIONS



WARNING

To reduce the risk of burns, fire, electric shock or injury to persons:

1. Unplug this furnishing from the electrical outlet before cleaning.
2. Unplug from outlet before adding or removing parts.
3. Never operate this furnishing if it has a damaged cord or plug, if it is not working properly, if it has been dropped or damaged, or dropped into water. Contact Oakworks Customer Service before use.
4. Keep the cord away from heated surfaces.
5. Never drop or insert any object into any opening.
6. Do not use outdoors.
7. Do not operate where aerosol (spray) products are being used or where oxygen is being administered.



DANGER

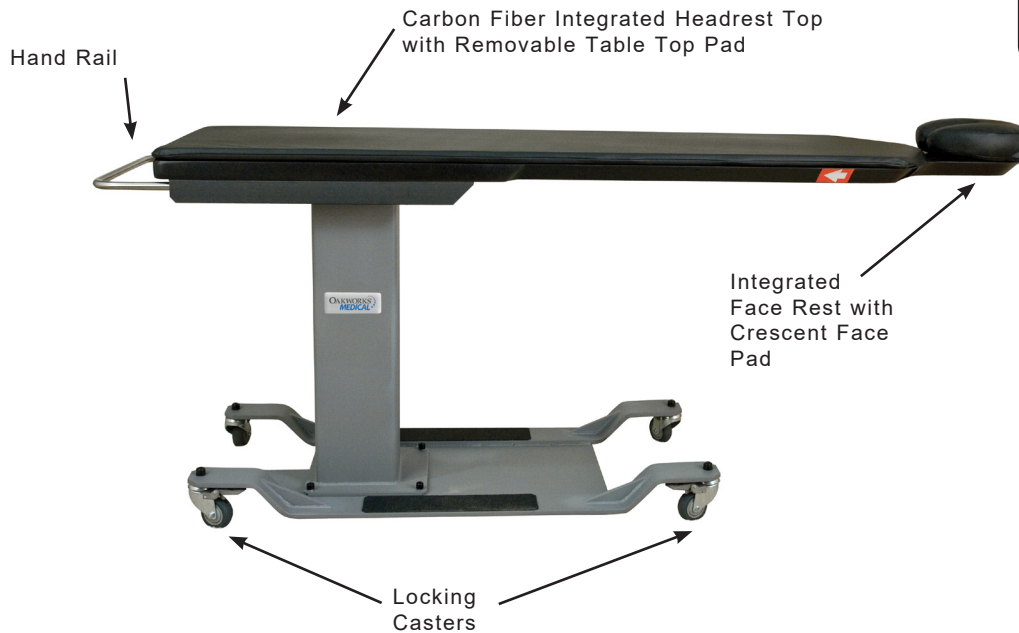
The potential of exposure to harmful x-rays exists when this table is in use. The use of adequate x-ray barrier devices is necessary to provide protection to both the operator and the patient. X-ray barrier devices are recommended for the patient outside of the intended target area to prevent exposure to scattered radiation from the x-ray generating source.

The tabletop has a typical aluminum filtration equivalence of 1.10 mm as measured at 100 kVp and a half value (HVL) of 3.6 mm. (NOTE: Bariatric Top has a typical aluminum filtration equivalence of 1.50 mm. as measured at 100 kVp and a half value (HVL) of 3.6 mm.)

- OAKWORKS® Imaging Tables may be used for x-ray imaging where the x-ray generator is located below the tabletop and the image receptor is located above the tabletop. This is the recommended method. The tables may also be used for x-ray imaging where the x-ray generator is located above the tabletop and the image receptor is located below the tabletop. This application will result in greater patient exposure to x-rays. The operator must weigh this issue with the imaging requirements and patient exposure issues.
- The Imaging Tables may be used with the x-ray generator above the tabletop and a film cassette located on the tabletop. (See contraindications regarding film cassette size.)
- The x-ray generator should never be located above the tabletop when the OAKWORKS® Imaging Table and the OAKWORKS® Spine Positioning System/Prone Pillow are used together. This type of use requires that the x-ray generator is located below the tabletop and the imaging intensifier or film cassette located above the tabletop.

PRODUCT DESCRIPTION

CFPMFXH



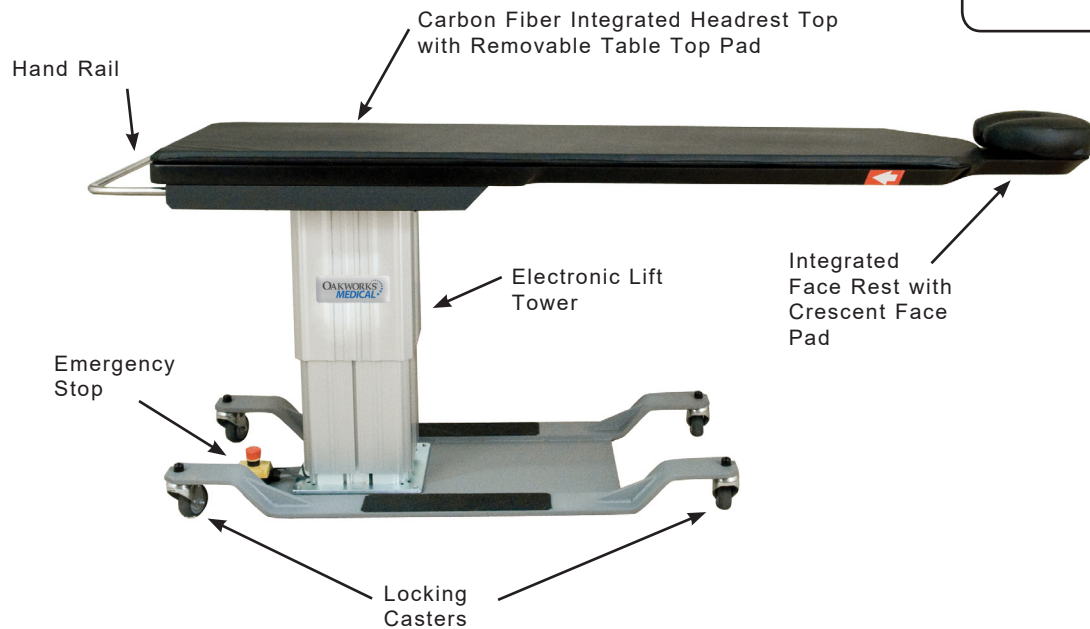
STANDARD SPECIFICATIONS	
Fixed Height	37" (91cm)
Choice of Tabletop:	
- Integrated Headrest	22" (56cm) W x 84" (214cm) L
- Rectangular	24" (61cm) W x 80" (203cm) L
Table Voltage Options	120V/60Hz or 230V/50Hz
Table Capacity	500 lbs. (227 kg.) distributed evenly
4" (10cm) Locking Casters	Locking / Unlocking Casters for mobile or permanent positioning
Padding	1" (3cm) Comfort Foam™
Crescent Face Pad	Integrated Headrest Only
Patient Restraint Strap	Must be used during all procedures
Upholstery	Terra Touch™
Table Weight	368 lbs. (167 kg.)

OPTIONS
5" (13cm) Locking Casters
Custom heights: 31"-37" (79-91 cm)
ACCESSORIES
Carbon Fiber Arm Board (Standard or Wide)
Spine Positioning System II
Adjustable T-rail Clamp
2" (5cm) Tabletop Pad
Fluoro Extender
Headrest 2-Pad Set:
1) 2" (5 cm) High x 12" (30.5 cm) Square Pad
2) 4" (10 cm) High x 12" (30.5 cm) Square Pad

For electrical specs, see Specifications section.

PRODUCT DESCRIPTION

CFPM100



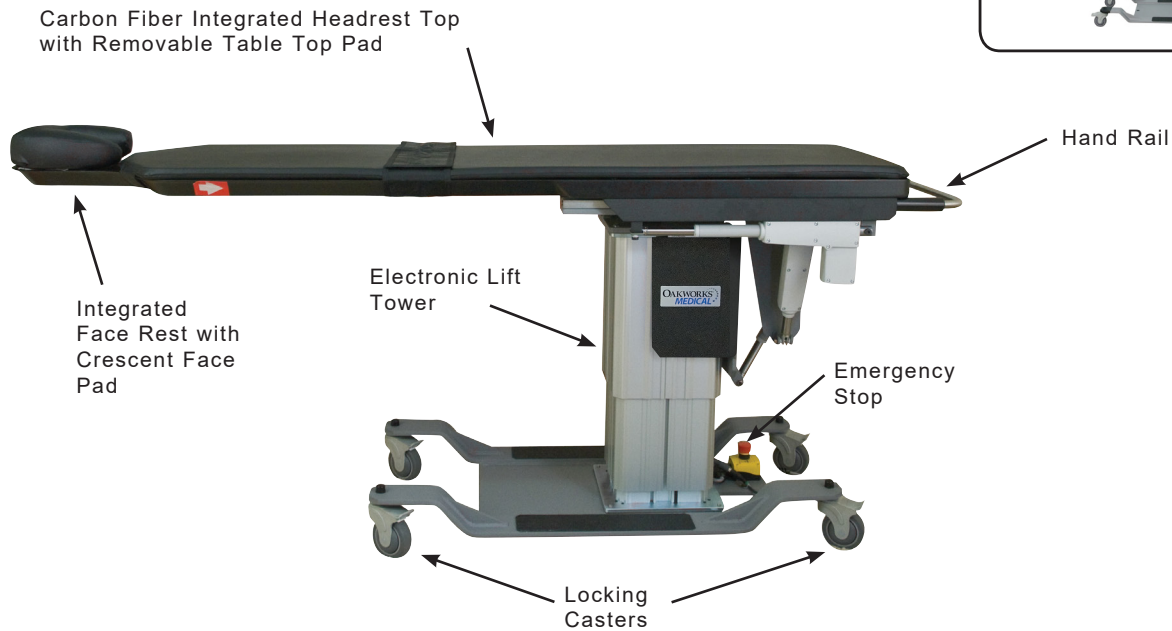
STANDARD SPECIFICATIONS	
Height Motion	Powered 22"-40" (56-102cm)
Foot Control	Height motion
Choice of Tabletop: - Integrated Headrest - Rectangular	22" (56cm) W x 84" (214cm) L 24" (61 cm) W x 80" (203cm) L
Table Voltage Options	120V/60Hz or 230V/50Hz
Table Capacity	500 lbs. (227 kg) distributed evenly
4" (10 cm.) Locking Casters	Locking / Unlocking Casters for mobile or permanent positioning
Padding	1" (3cm) Comfort Foam™
Crescent Face Pad	Integrated Headrest Only
Patient Restraint Strap	Must be used during all procedures
Upholstery	Terra Touch™
Table Weight	343 lbs. (146 kg)

OPTIONS
5" (13cm) Locking Casters
International Electric Configurations
ACCESSORIES
Carbon Fiber Arm Board (Standard or Wide)
Spine Positioning System II
Adjustable T-rail Clamp
2" (5cm) Tabletop Pad
Fluoro Extender
Headrest 2-Pad Set: 1) 2" (5 cm) High x 12" (30.5 cm) Square Pad 2) 4" (10 cm) High x 12" (30.5 cm) Square Pad

For electrical specs, see Specifications section.

PRODUCT DESCRIPTION

CFPM300



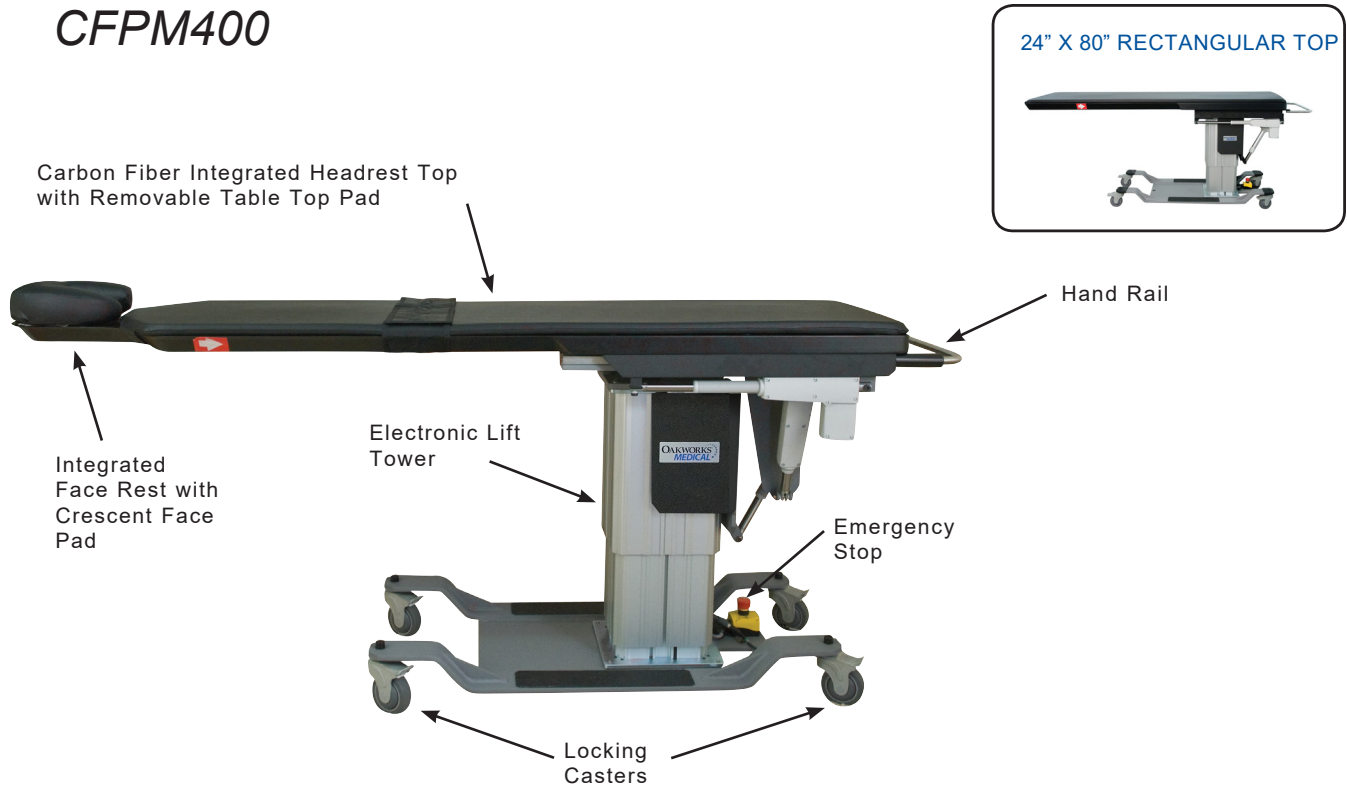
STANDARD SPECIFICATIONS	
Motion 1	Powered 26"-44" (66-112cm) Height Range
Motion 2	Powered +15°/-12° Trendelenburg
Motion 3	Powered ±15 Lateral Tilt
Hand Control	All powered motions
Choice of Tabletop:	
- Integrated Headrest	22" (56cm) W x 84" (214cm) L
- Rectangular	24" (61cm) W x 80" (203cm) L
Table Voltage Options	120V/60Hz or 230V/50Hz
Table Capacity	500 lbs. (227 kg) distributed evenly
4" (10 cm.) Locking Casters	Locking / Unlocking Casters for mobile or permanent positioning
Padding	1" (3cm) Comfort Foam™
Crescent Face Pad	Integrated Headrest Only
Patient Restraint Strap	Must be used during all procedures
Upholstery	Terra Touch™
Table Weight	498 lbs. (226kg)

OPTIONS
5" (13cm) Locking Casters
International Electric Configurations
Foot Control
ACCESSORIES
Carbon Fiber Arm Board (Standard or Wide)
Spine Positioning System II
Adjustable T-rail Clamp
2" (5cm.) Tabletop Pad
Fluoro Extender
Headrest 2-Pad Set:
1) 2" (5 cm) High x 12" (30.5 cm) Square Pad
2) 4" (10 cm) High x 12" (30.5 cm) Square Pad

For electrical specs, see Specifications section.

PRODUCT DESCRIPTION

CFPM400



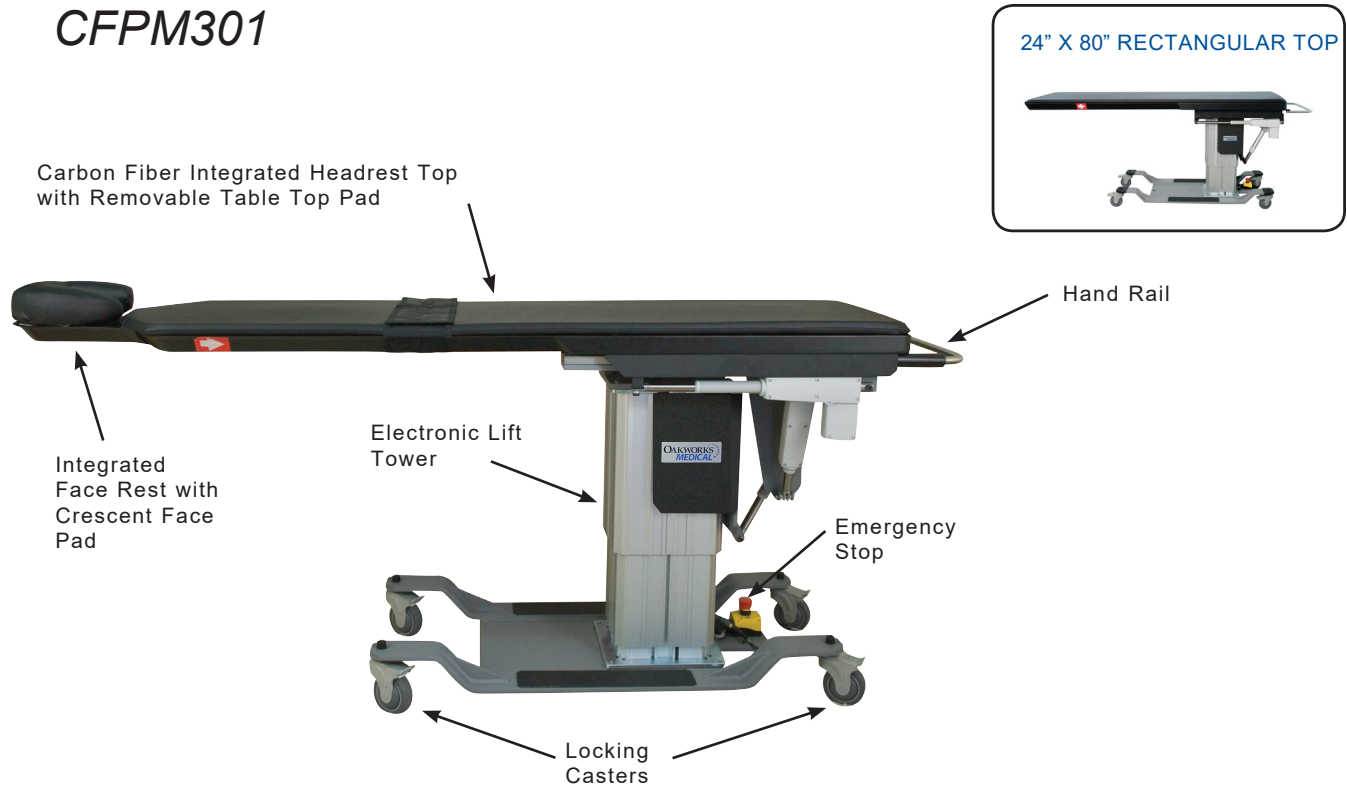
STANDARD SPECIFICATIONS	
Motion 1	Powered 26"-44" (66-112cm) Height Range
Motion 2	Powered +15°/-12° Trendelenburg Tilt
Motion 3	Powered ±15° Lateral Tilt
Motion 4	Powered 10" (25cm) Longitudinal Travel
Hand Control	All powered motions
Choice of Tabletop:	
- Integrated Headrest	22" (56cm) W x 84" (214cm) L
- Rectangular	24" (61cm) W x 80" (203cm) L
Table Voltage Options	120V/60Hz or 230V/50Hz
Table Capacity	500 lbs. (227 kg) distributed evenly
4" (10 cm.) Locking Casters	Locking / Unlocking Casters for mobile or permanent positioning
Padding	1" (3cm) Comfort Foam™
Crescent Face Pad	Integrated Headrest Only
Patient Restraint Strap	Must be used during all procedures
Upholstery	Terra Touch™
Table Weight	498 lbs. (226 kg)

OPTIONS
5" (13cm) Locking Casters
International Electric Configurations
Foot Control
ACCESSORIES
Carbon Fiber Arm Board (Standard or Wide)
Spine Positioning System II
Adjustable T-rail Clamp
2" (5cm) Tabletop Pad
Fluoro Extender
Headrest 2-Pad Set:
1) 2" (5 cm) High x 12" (30.5 cm) Square Pad
2) 4" (10 cm) High x 12" (30.5 cm) Square Pad

For electrical specs, see Specifications section.

PRODUCT DESCRIPTION

CFPM301



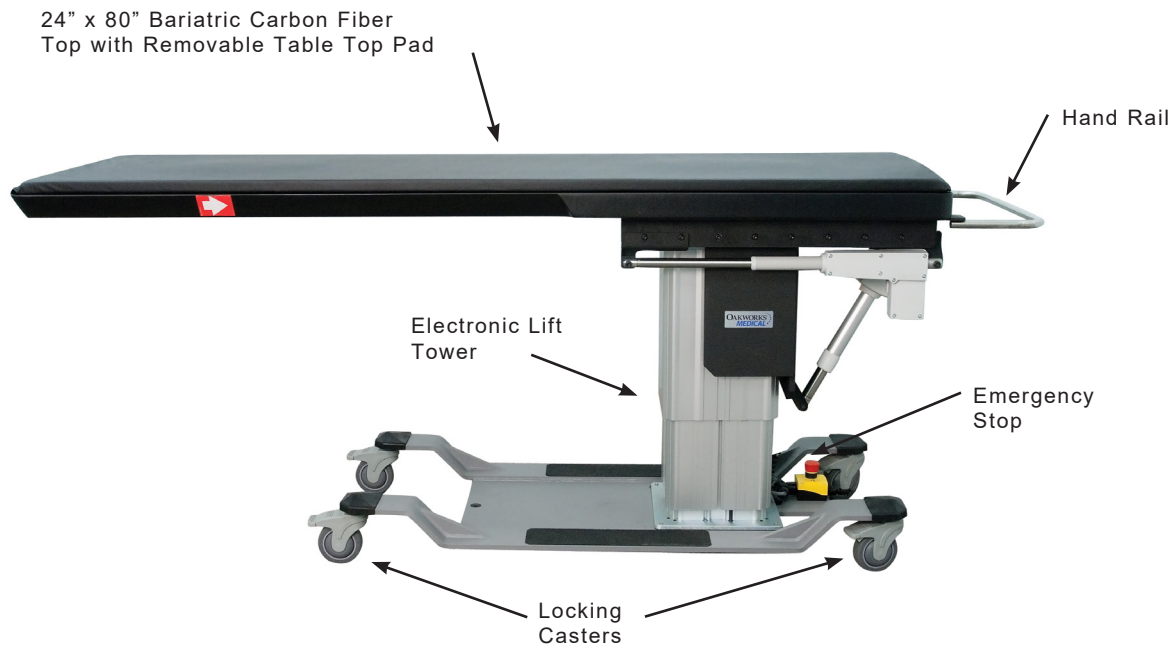
STANDARD SPECIFICATIONS	
Motion 1	Powered 25"-43" (64-109cm) Height Range
Motion 2	Powered +15°/-11° Trendelenburg
Motion 3	Powered 10" (25cm) Longitudinal Travel
Hand Control	All powered motions
Choice of Tabletop:	
- Integrated Headrest	22" (56cm) W x 84" (214cm) L
- Rectangular	24" (61 cm) W x 80" (203cm) L
Table Voltage Options	120V/60Hz or 230V/50Hz
Table Capacity	500 lbs. (227 kg) distributed evenly
4" (10 cm.) Locking Casters	Locking / Unlocking Casters for mobile or permanent positioning
Padding	1" (3cm) Comfort Foam™
Crescent Face Pad	Integrated Headrest Only
Patient Restraint Strap	Must be used during all procedures
Upholstery	Terra Touch™
Table Weight	538 lbs. (244 kg)

OPTIONS
5" (13cm) Locking Casters
International Electric Configurations
Foot Control
ACCESSORIES
Carbon Fiber Arm Board (Standard or Wide)
Spine Positioning System II
Adjustable T-rail Clamp
2" (5cm) Tabletop Pad
Fluoro Extender
Headrest 2-Pad Set:
1) 2" (5 cm) High x 12" (30.5 cm) Square Pad
2) 4" (10 cm) High x 12" (30.5 cm) Square Pad

For electrical specs, see Specifications section.

PRODUCT DESCRIPTION

CFPMB301 - Bariatric



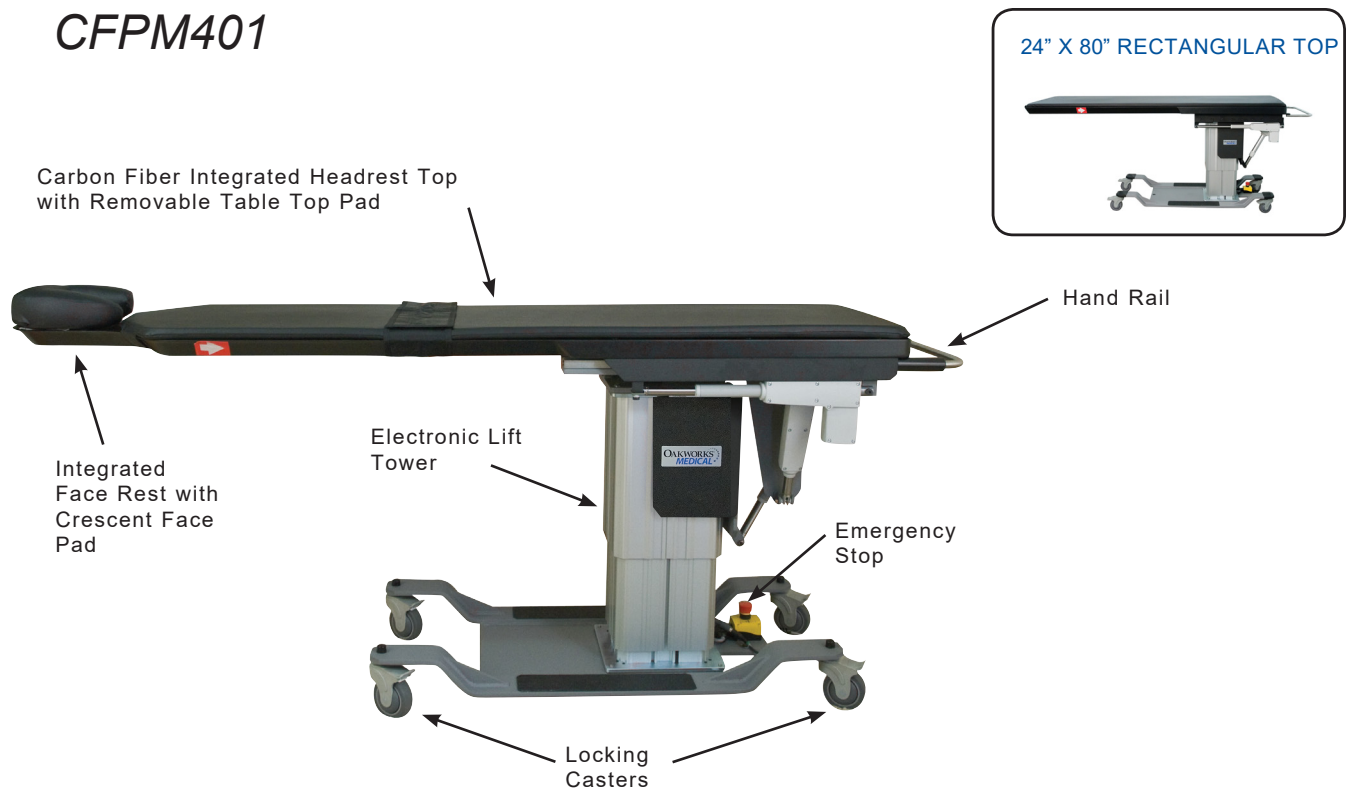
STANDARD SPECIFICATIONS	
Motion 1	Powered 26"-44" (66-112 cm) Height Range
Motion 2	Powered +15°/-11° Trendelenburg
Motion 3	Powered 10" (25cm) Longitudinal Travel
Hand Control	All powered motions
Rectangular Top	24" (61 cm) W x 80" (203cm) L
Table Voltage Options	120V/60Hz or 230V/50Hz
Table Capacity	750 lbs. (340 kg) distributed evenly
4" (10 cm.) Locking Casters	Locking / Unlocking Casters for mobile or permanent positioning
Padding	1" (3cm) Comfort Foam™
Crescent Face Pad	Integrated Headrest Only
Patient Restraint Strap	Must be used during all procedures
Upholstery	Terra Touch™
Table Weight	573 lbs. (260 kg)

OPTIONS
5" (13cm) Locking Casters
International Electric Configurations
Foot Control
ACCESSORIES
Carbon Fiber Arm Board (Standard or Wide)
Spine Positioning System II
Adjustable T-rail Clamp
2" (5cm) Tabletop Pad
Fluoro Extender
Headrest 2-Pad Set:
1) 2" (5 cm) High x 12" (30.5 cm) Square Pad
2) 4" (10 cm) High x 12" (30.5 cm) Square Pad

For electrical specs, see Specifications section.

PRODUCT DESCRIPTION

CFPM401



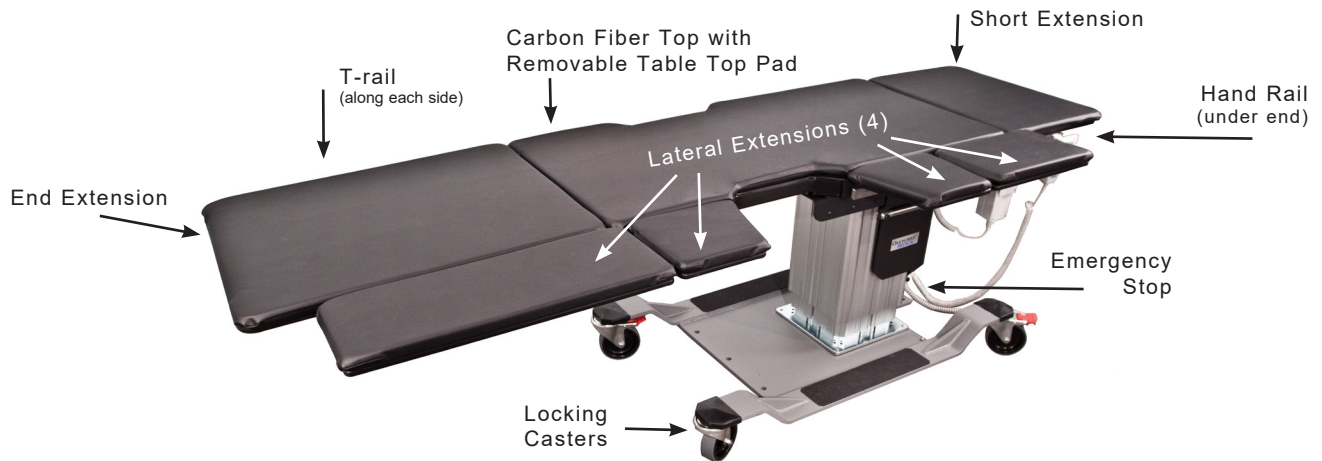
STANDARD SPECIFICATIONS	
Motion 1	Powered 26"-44" (66-112cm) Height Range
Motion 2	Powered +15°/-12° Trendelenburg Tilt
Motion 3	Powered 10" (25cm) Longitudinal Travel
Motion 4	Powered ±4" (10cm) Lateral Travel
Hand Control	All powered motions
Choice of Tabletop:	
- Integrated Headrest	22" (56cm) W x 84" (214cm) L
- Rectangular	24" (61cm) W x 80" (203cm) L
Table Voltage Options	120V/60Hz or 230V/50Hz
Table Capacity	500 lbs. (227 kg) distributed evenly
4" (10 cm.) Locking Casters	Locking / Unlocking Casters for mobile or permanent positioning
Padding	1" (3cm) Comfort Foam™
Crescent Face Pad	Integrated Headrest Only
Patient Restraint Strap	Must be used during all procedures
Upholstery	Terra Touch™
Table Weight	548 lbs. (249 kg)

OPTIONS
5" (13cm) Locking Casters
International Electric Configurations
Foot Control
ACCESSORIES
Carbon Fiber Arm Board (Standard or Wide)
Spine Positioning System II
Adjustable T-rail Clamp
2" (5cm) Tabletop Pad
Fluoro Extender
Headrest 2-Pad Set:
1) 2" (5 cm) High x 12" (30.5 cm) Square Pad
2) 4" (10 cm) High x 12" (30.5 cm) Square Pad

For electrical specs, see Specifications section.

PRODUCT DESCRIPTION

CFLU401 - Lithotripsy/Urology Top



STANDARD SPECIFICATIONS			
Motion 1	Powered 27"-45" (66-112cm) Height Range	Urology Bag Hoop	Clips onto T-rails (bag not included)
Motion 2	Powered +15°/-12° Trendelenburg Tilt	Integrated T-rails	.38" (1cm) Thick x 1.13" (3cm) High US Standard
Motion 3	Powered 10" (25cm) Longitudinal Travel	Patient Restraint Strap	Must be used during all procedures
Motion 4	Powered ±4" (10 cm.) Lateral Travel	5" (12.5 cm.) Locking Casters	Locking / Unlocking Casters for mobile or permanent positioning
Hand Control	All powered motions		
Main Top Dimensions	23" (58cm) W x 47" (119cm) L (Radiolucent dimensions: 19" (48cm) W x 23.7" (60cm))	Table Extensions	(1) 23" (58cm) W x 28" (71cm) L - End
			(1) 23" (58cm) W x 16" (41cm) L OR 23" (58cm) W x 20" (51cm) L - Short
Table Voltage Options	120V/60Hz or 230V/50Hz		(2) 8" (20cm) W x 11" (28cm) L - Lateral
Table Capacity	500 lbs. (227 kg) distributed evenly		(1) 8" (20cm) W x 14" (36cm) L - Lateral
	200 lbs. (91 kg) (on all extensions)		(1) 8" (20cm) W x 24" (61cm) L - Lateral
Padding	1" (3cm) Comfort Foam™	Upholstery	Terra Touch™
Table Weight	618 lbs. (280 kg)		

OPTIONS

International Electric Configurations

Foot Control

ACCESSORIES

Carbon Fiber Arm Board (Standard or Wide)

Spine Positioning System II

2" (5cm) Tabletop Pad

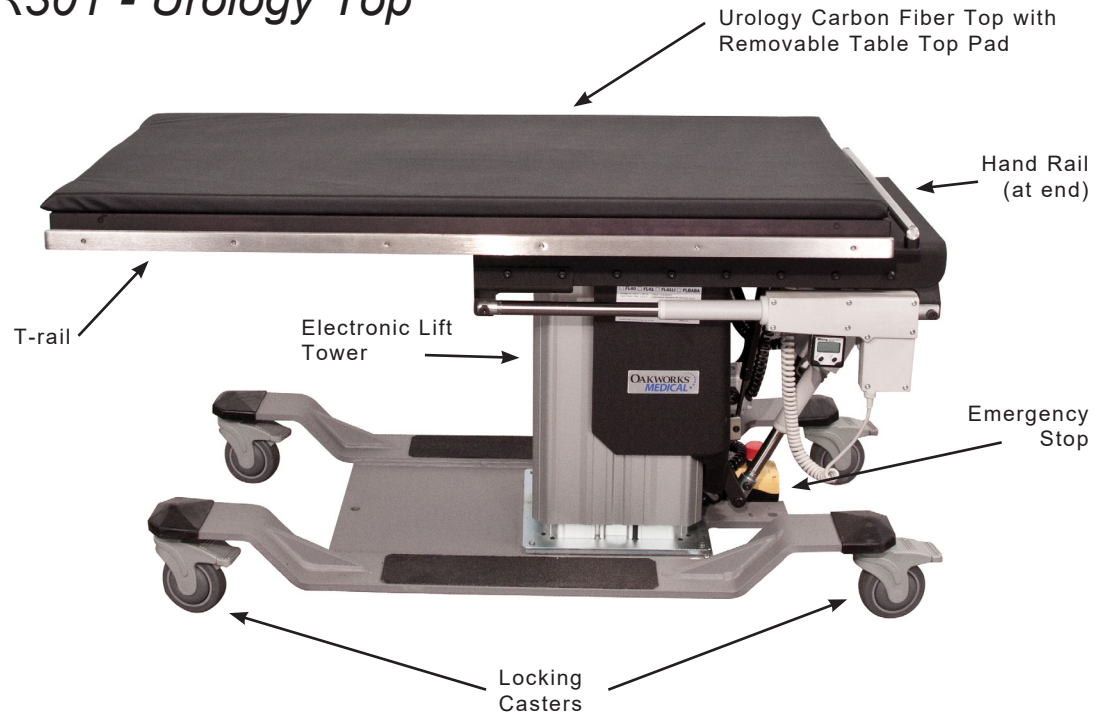
Fluoro Extender

Litho/Urology Drape

For electrical specs, see Specifications section.

PRODUCT DESCRIPTION

CFUR301 - Urology Top



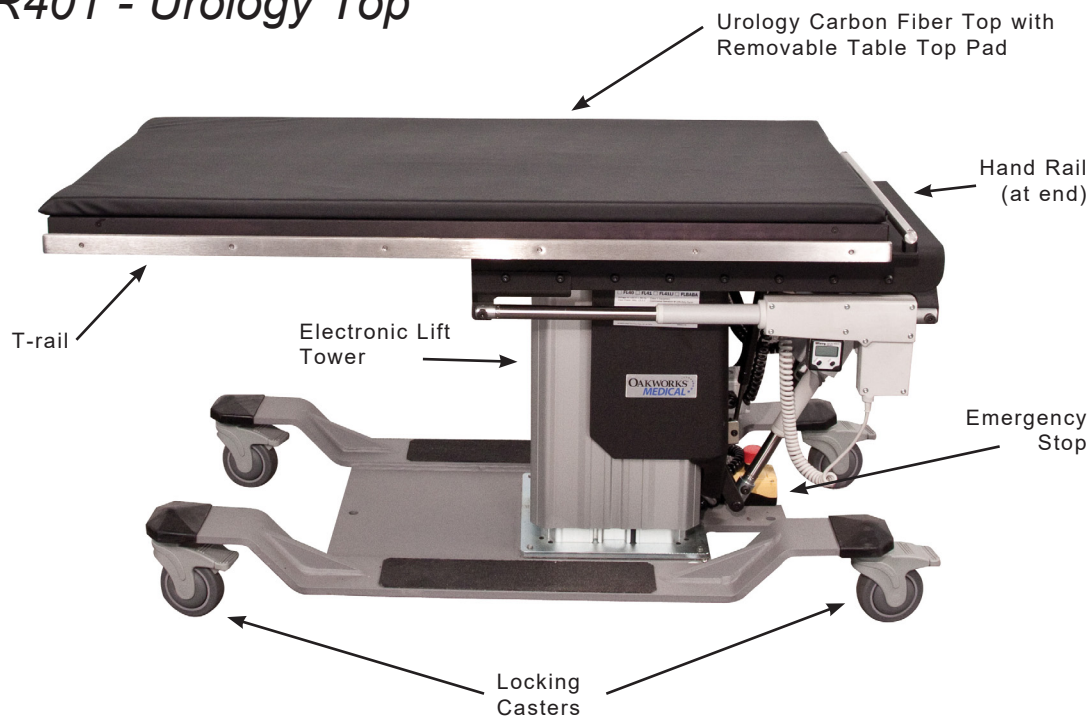
STANDARD SPECIFICATIONS	
Motion 1	Powered 26"-44" (66-112cm) Height Range
Motion 2	Powered +15°/-11° Trendelenburg Tilt
Motion 3	Powered 10" (25cm) Longitudinal Travel
Hand Control	All powered motions
Main Top Dimensions	23" (58cm) W x 47" (119cm) L (Radiolucent dimensions: 19" (48cm) W x 23.7" (60cm))
Table Extensions	(1) 23" (58.4 cm.) W x 28" (71.1 cm.) L - End (2) 5" (12.5 cm.) W x 24" (61 cm.) L - Lateral
Integrated T-rails	.38" (1cm) Thick x 1.13" (3cm) High US Standard
Urology Bag Hoop	Clips onto T-rails (bag not included)
Table Capacity	500 lbs. (227 kg) distributed evenly 200 lbs. (91 kg) (on all extensions)
4" (10 cm.) Locking Casters	Locking / Unlocking Casters for mobile or permanent positioning
Padding	1" (2.5 cm.) Comfort Foam™
Patient Restraint Strap	Must be used during all procedures
Upholstery	Terra Touch™
Table Weight	568 lbs. (258 kg)

OPTIONS
5" (13cm) Locking Casters
International Electric Configurations
Foot Control
ACCESSORIES
Carbon Fiber Arm Board (Standard or Wide)
Spine Positioning System II
Adjustable T-rail Clamp
2" (5cm) Tabletop Pad
Fluoro Extender

For electrical specs, see Specifications section.

PRODUCT DESCRIPTION

CFUR401 - Urology Top



STANDARD SPECIFICATIONS	
Motion 1	Powered 27"-45" (69-114cm) Height Range
Motion 2	Powered +15°/-11° Trendelenburg Tilt
Motion 3	Powered 10" (25cm) Longitudinal Travel
Motion 4	Powered ±4" (10cm) Lateral Travel
Hand Control	All powered motions
Main Top Dimensions	23" (58cm) W x 47" (119cm) L (Radiolucent dimensions: 19" (48cm) W x 23.7" (60cm))
Table Extensions	(1) 23" (58cm) W x 28" (71cm) L - End (2) 5" (13cm) W x 24" (61cm) L - Lateral
Intregrated T-rails	.38" (1cm) Thick x 1.13" (3cm) High US Standard
Urology Bag Hoop	Clips onto T-rails (bag not included)
Table Capacity	500 lbs. (227 kg) distributed evenly 200 lbs. (91 kg) (on all extensions)
4" (10 cm.) Locking Casters	Locking / Unlocking Casters for mobile or permanent positioning
Padding	1" (3cm) Comfort Foam™
Patient Restraint Strap	Must be used during all procedures
Upholstery	Terra Touch™
Table Weight	590 lbs. (268 kg)

OPTIONS
5" (13cm) Locking Casters
International Electric Configurations
Foot Control
ACCESSORIES
Carbon Fiber Arm Board (Standard or Wide)
Spine Positioning System II
Adjustable T-rail Clamp
2" (5cm) Tabletop Pad
Fluoro Extender

For electrical specs, see Specifications section.

INSTALLATION

The Imaging Tables come completely assembled and ready to use. Plug the cord into a functioning outlet that is rated for the table. (see Grounding below)



IMPORTANT - If the Foot Control is ordered, you must install a Foot Control Cradle per Installation Instruction part number MMINMD0008-EN.

Arrange the power cord and control cords so that they will not create a tripping hazard and where the controls are located to your liking and are conveniently accessible.

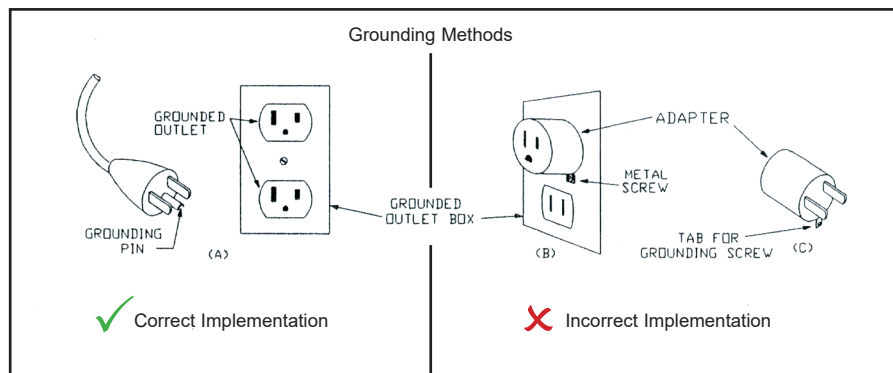
Be sure access to plug is not blocked for disconnecting the table from power.

GROUNDING



DANGER Risk of Electric Shock - Connect this furnishing to a properly grounded outlet only.

This product must be grounded. If it should malfunction or break down, grounding provides a path of least resistance for electrical current to reduce the risk of electric shock. This product is equipped with a cord having an equipment-grounding conductor and a grounding pin. The pin must be plugged into an appropriate outlet that is properly installed and grounded in accordance with all local codes and ordinances. See U.S. sample below.

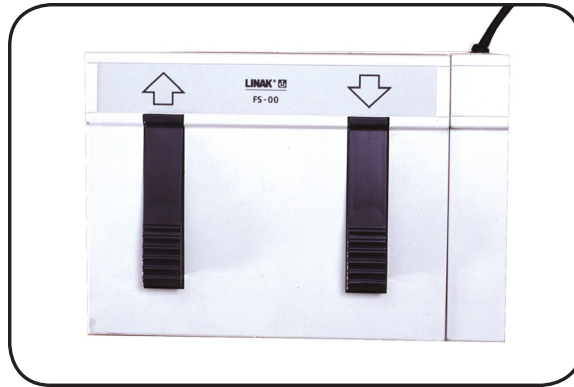


Improper connection of the equipment-grounding conductor can result in a risk of electric shock. Check with a qualified electrician or service person if you are in doubt as to whether the product is properly grounded. Do not modify the plug provided with the product - if it will not fit the outlet; have a proper outlet installed by a qualified electrician.

DIRECTIONS FOR USE

FOOT CONTROL

Used to control table Vertical Height, Trendelenburg, Longitudinal Motion, Lateral Tilt or Lateral Motion. Control functions dependent upon table's features.



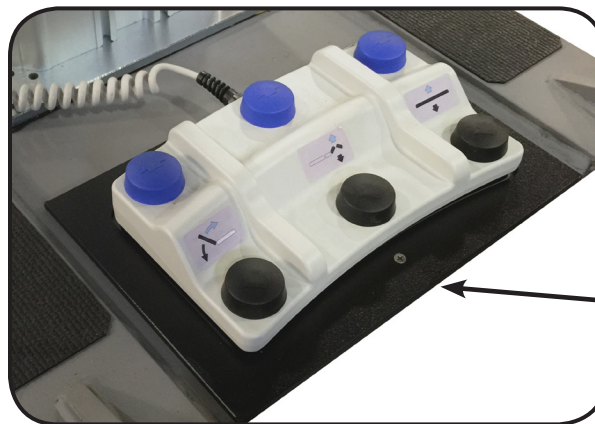
CFPM 100 - ONE MOTION



OPTIONAL - THREE MOTION



OPTIONAL - FOUR MOTION



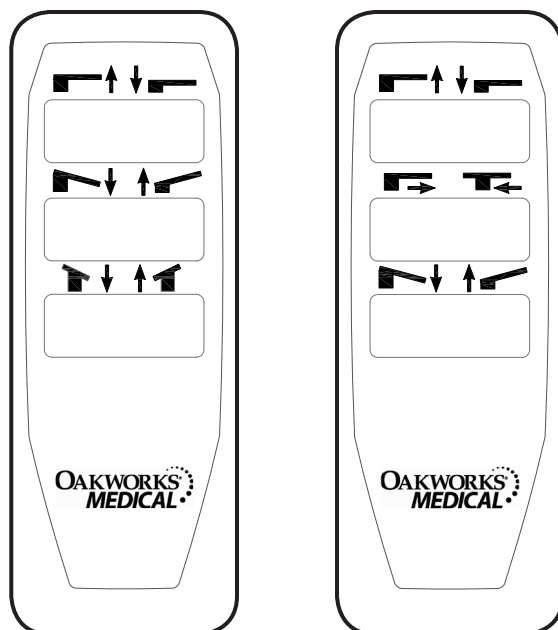
FOOT CONTROL CRADLE

⚠ CAUTION TO PREVENT UNINTENTIONAL MOTION, PLACE THE FOOT CONTROL INTO THE FOOT CONTROL CRADLE WHEN NOT BEING USED.

DIRECTIONS FOR USE

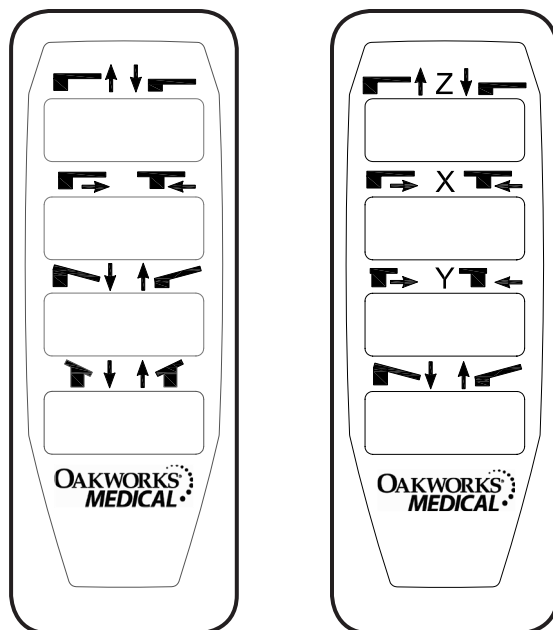
HAND CONTROL - THREE MOTION

Used to control table Vertical Height, Trendelenburg, Lateral Tilt OR Vertical Height, Trendelenburg, Longitudinal Motion. Control functions dependent upon table's features.



HAND CONTROL - FOUR MOTION

Used to control table Vertical Height, Trendelenburg, Longitudinal Motion, Lateral Tilt OR Vertical Height, Trendelenburg, Longitudinal Motion, Lateral Motion. Control functions dependent upon table's features.



DIRECTIONS FOR USE

BUBBLE LEVELS

Bubble levels are installed on the handle end of the table to aid the operator in determining the horizontal plane.



ANGLE INDICATOR

Standard on CFLU401, CFUR401 and CFUR301 Tables. Optional on all other Imaging Tables.

To use angle indicator, simply press “on/off” button on the left side of the indicator.

NOTE: Do not press “zero” unless table is in the horizontal position.



PATIENT RESTRAINT STRAPS



CAUTION

Two Patient Restraint Strap must be used at all times during procedures to prevent the patient from falling off the table.

The strap has hook and loop fasteners attached to the ends. The strap is attached as follows:

1. Place the center of each strap around the patient at **two** places. Relocate the straps as necessary for adequate clearance.
2. Take the ends of each strap down around the tabletop. Pull each strap snug underneath the table and press the two ends together.
3. Check both straps to assure adequate patient restraint prior to using the Trendelenburg functions.



DIRECTIONS FOR USE

REMOVE / REPLACE THE TABLE TOP PAD

CAUTION Make sure the top is not in motion when removing / replacing the table top pad.

Remove Table Pad by pulling flaps at the ends & sides of the table until the hook and loop fastener becomes unanchored.

Replace pad by first centering on the table and then pressing flaps in place, anchoring with the hook and loop fasteners.



Underside of Tabletop

ADJUSTING THE CRANIAL POSITIONING PADS (INTEGRATED HEADREST TOPS ONLY)

Prone Positioning:

The Crescent Face Pad is held in place by hook and loop fasteners.

Place close in to the edge of the table with sides together for smaller patients or further away from the edge with sides apart for larger patients.



Supine Positioning: (Accessory)

Pads attach to the integrated face rest extension with hook and loop fasteners that hold the pad securely in place.

Pads are provided that give two levels of elevation: 2" or 4" (5 or 10cm)



2" or 4"
(5 or 10cm)



DIRECTIONS FOR USE

LOCKING CASTERS USE

All four casters should be locked at all times during use with a patient.



LOCKING THE CASTERS

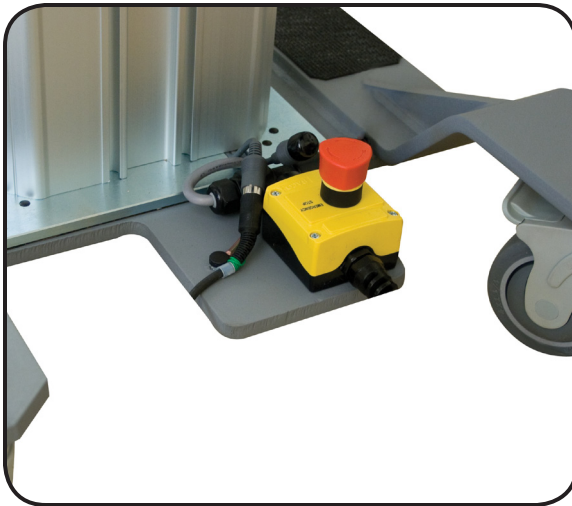
1. Place your shoe on the end of the casters locking tab.
2. Press firmly downward until you here a clicking noise and the caster is locked.

UN-LOCKING THE CASTERS

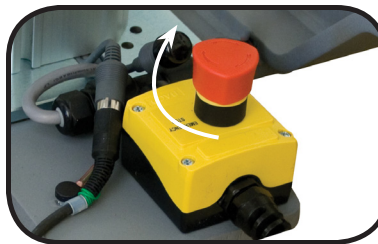
1. Place your shoe on top of the casters locking tab.
2. Press firmly inward and downward until you here a clicking noise and the caster is unlocked.

EMERGENCY STOP

All electric tables are equipped with an emergency stop switch.



To stop the operation, push the red button.



To reset, rotate the red button clockwise.

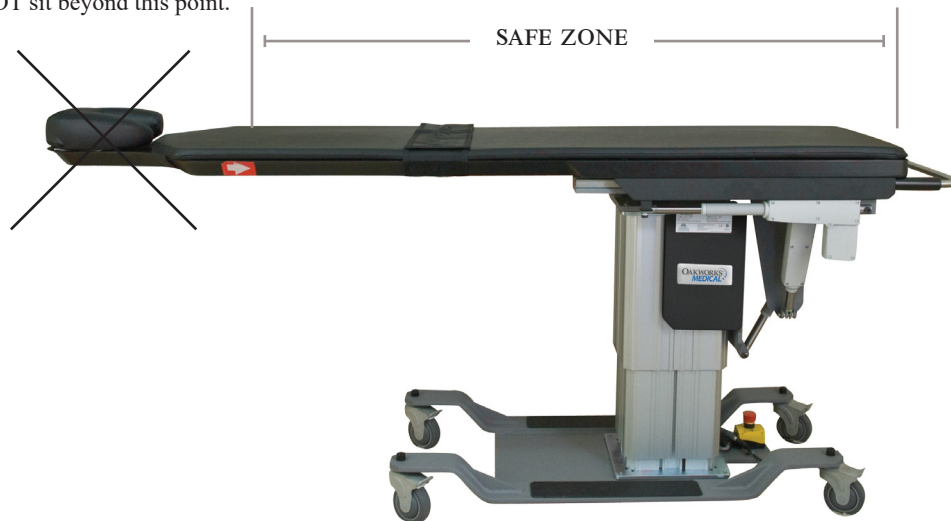
If necessary, you can also remove the plug from the outlet. Se sure access is not blocked for disconnecting the table from power.

DIRECTIONS FOR USE

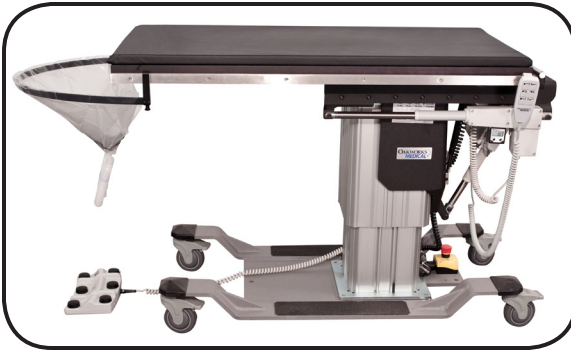
WEIGHT CAPACITY & PATIENT USE

CAUTION The OAKWORKS® tabletop is rated at 500 lb. (227 kg) load evenly distributed. (Bariatric table is rated at 750 lbs. (340 kg)) To minimize any risk to the patient, do not allow the patient to sit on the face rest area beyond the warning line on the tabletop. Casters should be locked when patient is mounting or dismounting the table. Table should be flat when mounting and dismounting. Patient should mount and dismount near the lifting column. Tabletop should be moved fully to the rear after each use.

DO NOT sit beyond this point.



UROLOGY TABLE BAG HOOP



1. Slide bag over Urology hoop.



2. Attach ends of hoop to the ends of the table T-rails. Tighten hoop ends to the T-rail.



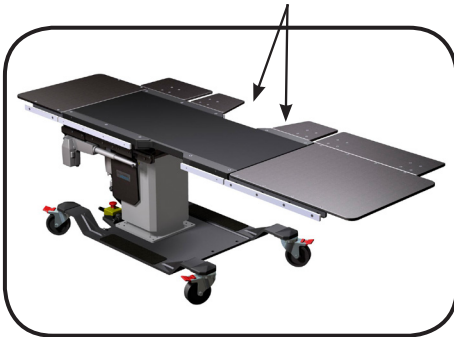
Completed assembly.

DIRECTIONS FOR USE

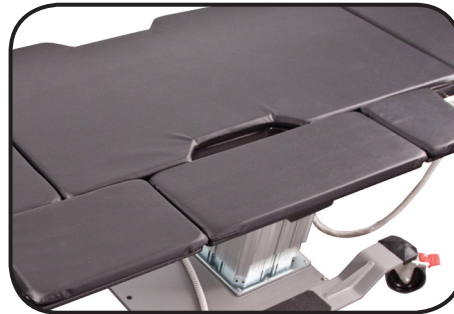
LATERAL EXTENSIONS - LITHOTRIPSY/UROLOGY & UROLOGY TOP

! CAUTION Do not sit on any extensions. Weight Limit: 200 lbs. / 91 kg.

There are four lateral extensions for the Lithotripsy table. (2 - 8" x 11", 1 - 8" x 14" and 1 - 8" x 24").



The 2 - 8" x 11" (20 x 28 cm) are angled and designed to be used on both sides of the Lithotripsy opening.



The 1 - 8" x 24" (20 x 61cm) extension is designed to bridge the Lithotripsy opening.



The 8" x 14" (20 x 36cm) extension can be used as required for your procedure along with other extensions.



The Lateral Extensions are clamped to the T-rail with a locking clamp design.

! CAUTION
Tighten knob securely to prevent loosening of the extension

There are 2 lateral extensions for the Urology Table (2) 5" x 24" (13 x 61cm). These extensions can be used as required to extend the effective width of the table top.



DIRECTIONS FOR USE

END EXTENSIONS - LITHOTRIPSY/UROLOGY & UROLOGY TOPS

! CAUTION Do not sit on any extensions. Weight Limit: 200 lbs. / 91 kg.

There are extensions which can be inserted on either end of the table. (1) - 23" x 28" (58 x 71cm) and (1) - 23" x 16" (58 x 41cm) - Lithotripsy/Urology, (1) - 23" x 28" (58 x 71cm) - Urology



TO INSERT EXTENSION

Slide the two "arms" into the ends of the table top. Push fully in and extension arms will drop slightly into a locking pin.



TO REMOVE EXTENSION

Lift extension slightly and pull away from table top.



INCORRECT ATTACHMENT

Be sure the striped area on the caution label is completely covered prior to use.



CORRECT ATTACHMENT

The extension is attached correctly when the striped area is not visible as shown.

LITHOTRIPSY TABLE USED AS A UROLOGY TABLE

If the extensions are removed from the Lithotripsy Table, the table can be used as a Urology Table. A bag hoop is included with your table. (Refer to Urology Table Bag Hoop directions for use).



DIRECTIONS FOR USE

CARBON FIBER ARM BOARD (ACCESSORY)



CAUTION

Do not place undue weight or downward pressure on the Carbon Fiber Arm Board. It is a positioning device for the arms and should not be used as leverage to get on or off the table. Injury can occur. DO NOT exceed 30 lbs. (14 kg.) of load on the **Support Section**. Injury can occur.

Use

This radiolucent device can be used with any flat support surface where ionizing radiation (x-ray) is utilized for imaging. It can be used to support arms and feet.

Directions

Unfold the Arm Board and slide the **Base Section** under the patient and the table pad. Position the patient and the **Support Section** to suit the needs of the procedure. The weight of the patient will hold the Arm Board in place.

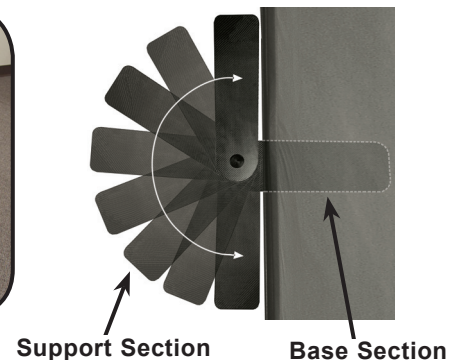
Rotate the **Support Section** to the desired position. This section rotates up to 180°.



Prone Position at 135°



Supine Position at 180°



To remove the Arm Board, ask the patient to move their limb off the **Support Section** and lift their body slightly. This will allow you to pull out the base section of the Arm Board.

Fold the **Base and Support sections** for storage.

ADJUSTABLE T-RAIL CLAMP USE (ACCESSORY)*



CAUTION

Recheck tightness of T-Rail Clamp in between procedures.

Ensure that the lower part of the clamp is in the tabletop groove under the table top.

Ensure the T-Rail Clamp is tight and can not move with pressure.

1. The clamp must be installed only on an Oakworks® CFPM product with the groove on the underside of the table.
2. Slide the clamp in the groove to the desired position on the table top.
3. Ensure the lower part of the clamp is aligned with and in the groove of the table top. Tighten the clamp using the handle.
4. Attempt to slide the clamp. Ensure the clamp will not move and is secured tightly to the tabletop.
5. The handle can be rotated without loosening up the clamp. To move the handle out of your way, lift the handle up and rotate towards the inside of the table, then release the handle to reengage. The handle can then be used to tighten or loosen the clamp and slide to a different position on the tabletop.



Note: The Integrated T-Rails are US standard size of .38" (1cm) thick by 1.13" (3cm) wide.

DIRECTIONS FOR USE

SPINE POSITIONING SYSTEM II (ACCESSORY)

For directions on the use of the Spine Positioning System, see publication "Spine Positioning System"
Part number MMMMNUP0003-EN



FLUORO EXTENDER (ACCESSORY)



CAUTION

Do not place undue weight or downward pressure on the Fluoro Extender. It is a positioning device for the arms and should not be used as leverage to get on or off the table. Injury can occur.

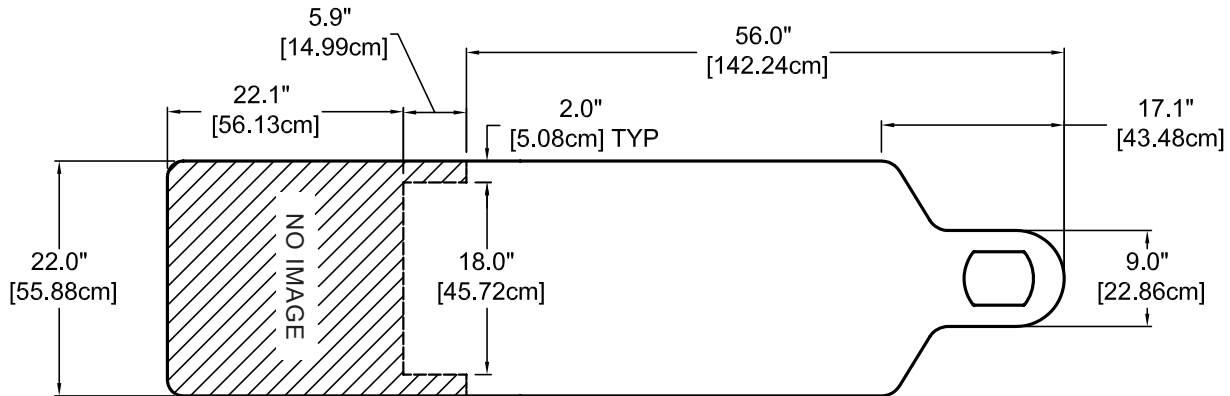
The Oakworks® Fluoro Extender is radiolucent and offers extra width only where you need it for greater positioning accuracy with optimum imaging. The Fluoro Extender is inserted under the table top pad.



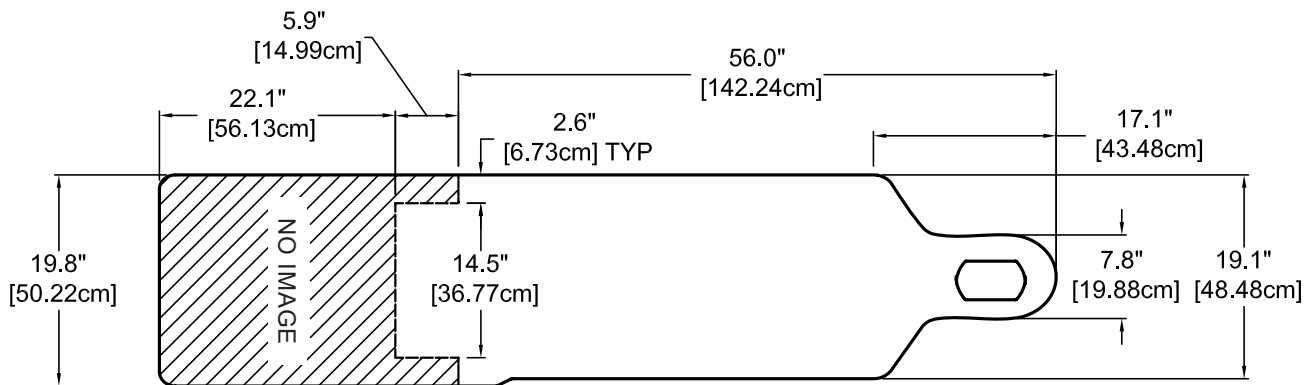
REFERENCE

USABLE IMAGING AREA - CFPMFXH & CFPM100 INTEGRATED HEADREST TOPS ONLY

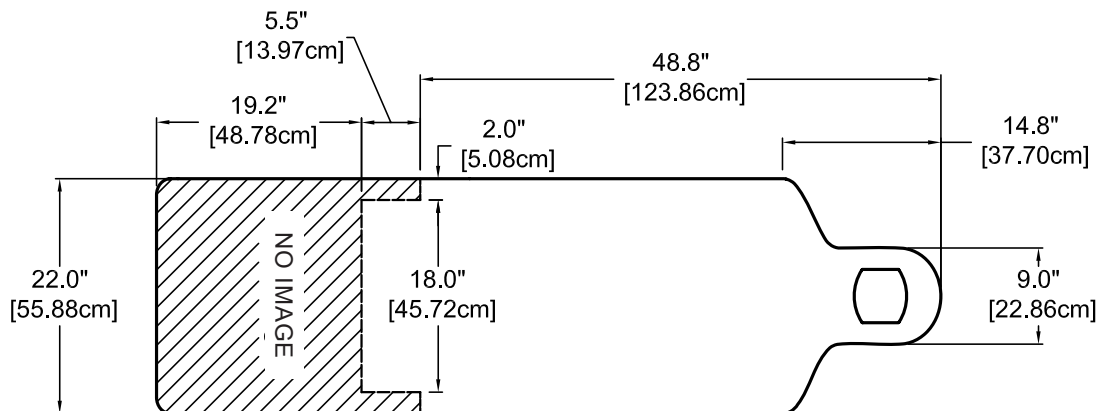
CENTERED FOR A-P VIEW:



OBLIQUE 30° VIEW FOR VERTICAL:



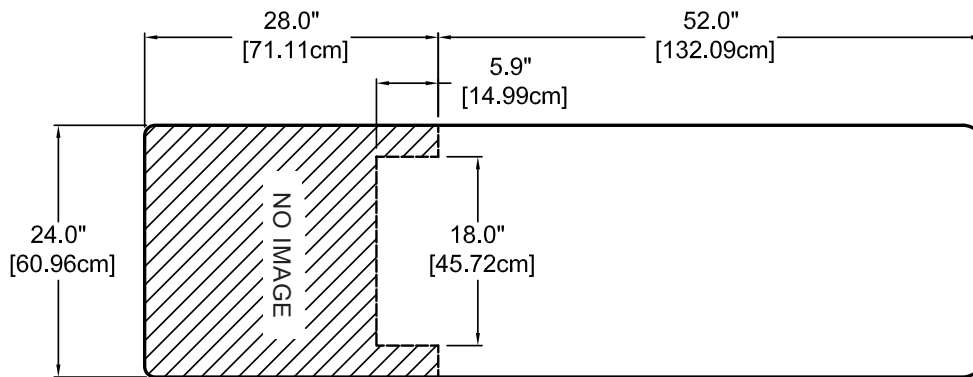
CAUDAL 30° VIEW FOR VERTICAL:



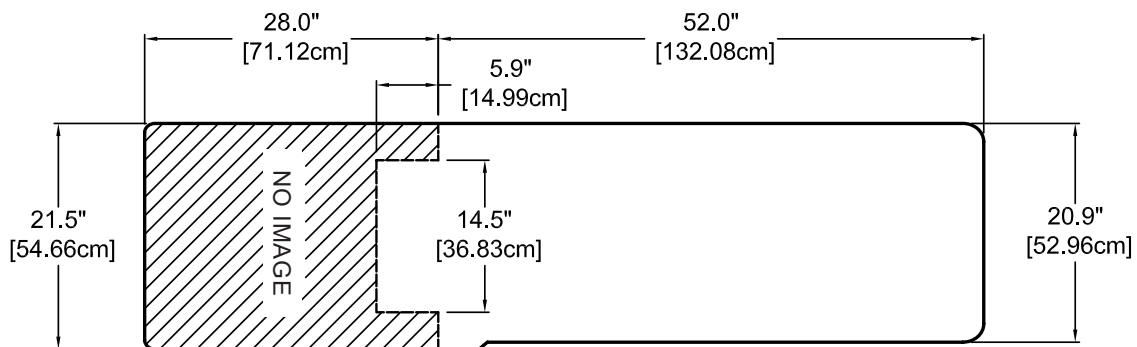
REFERENCE

USABLE IMAGING AREA - CFPMFXH & CFPM100 RECTANGULAR TOPS ONLY

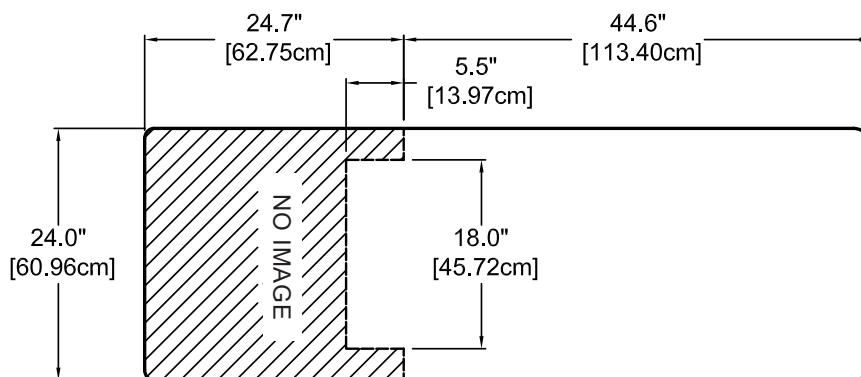
CENTERED FOR A-P VIEW:



OBLIQUE 30° VIEW FOR VERTICAL:



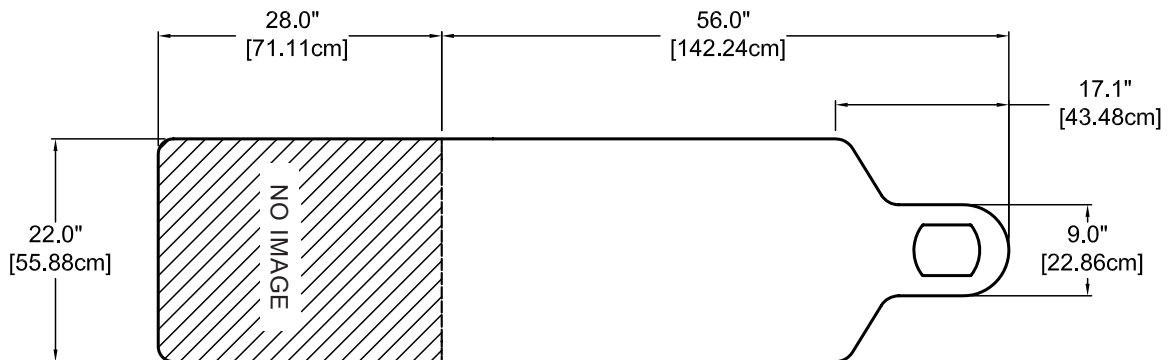
CAUDAL 30° VIEW FOR VERTICAL:



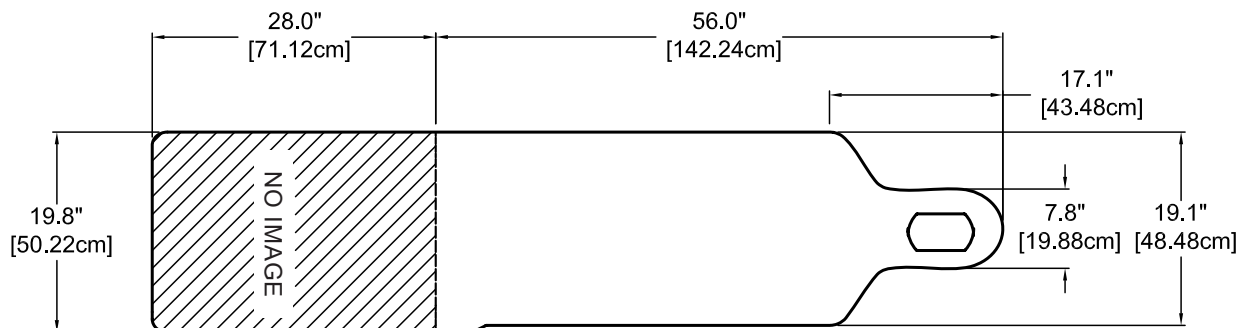
REFERENCE

**USABLE IMAGING AREA - CFPM400, CFPM300, CFPM401 & CFPM301
INTEGRATED HEADREST TOPS ONLY**

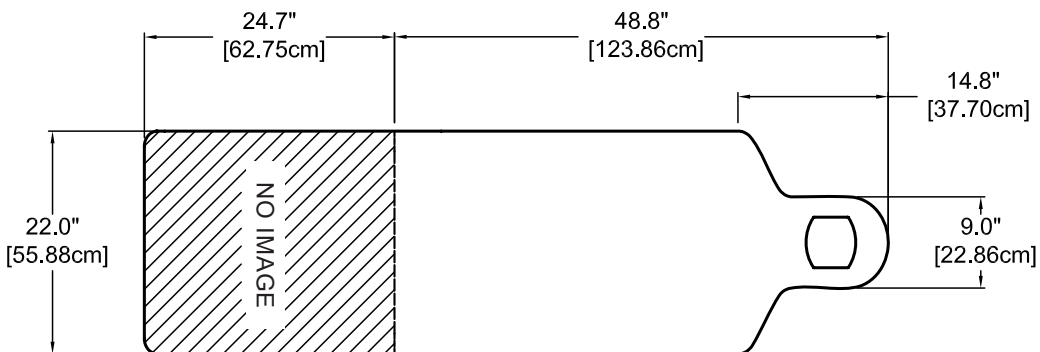
CENTERED FOR A-P VIEW:



OBLIQUE 30° VIEW FOR VERTICAL:



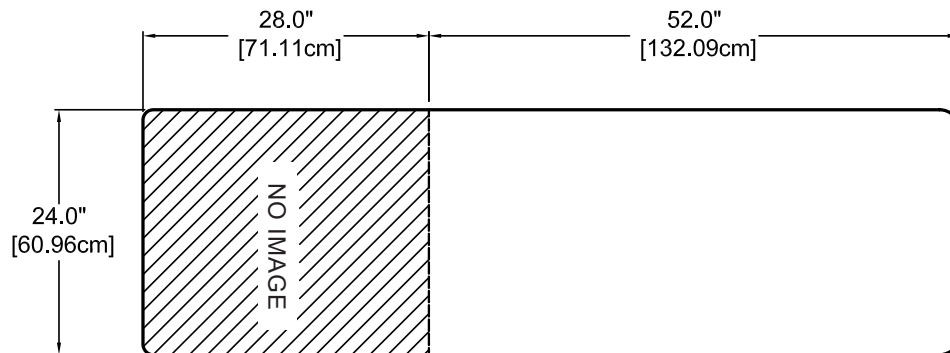
CAUDAL 30° VIEW FOR VERTICAL:



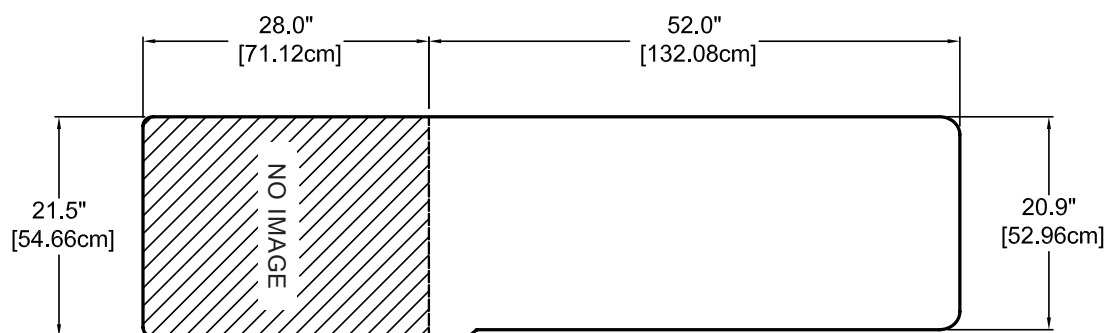
REFERENCE

USABLE IMAGING AREA - CFPM400, CFPM300, CFPM401 & CFPM301 RECTANGULAR TOPS ONLY

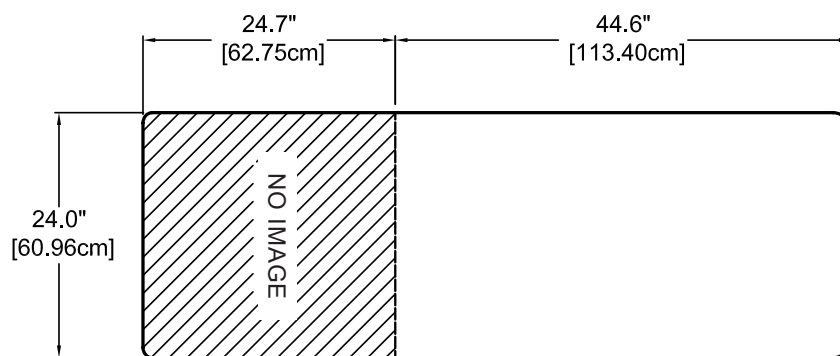
CENTERED FOR A-P VIEW:



OBLIQUE 30° VIEW FOR VERTICAL:



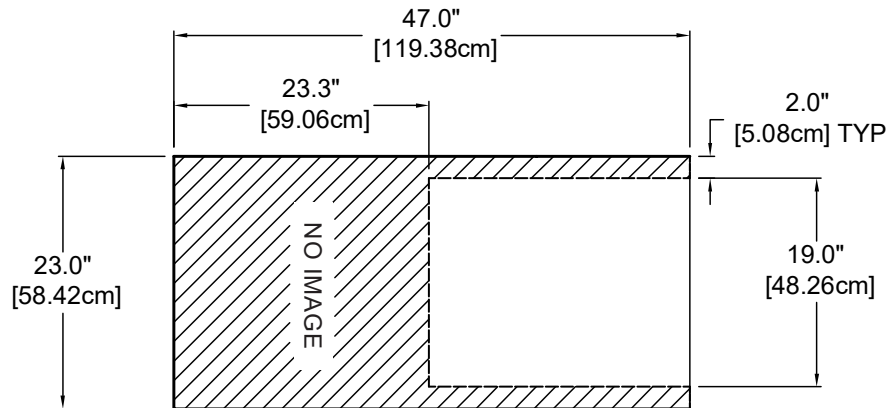
CAUDAL 30° VIEW FOR VERTICAL:



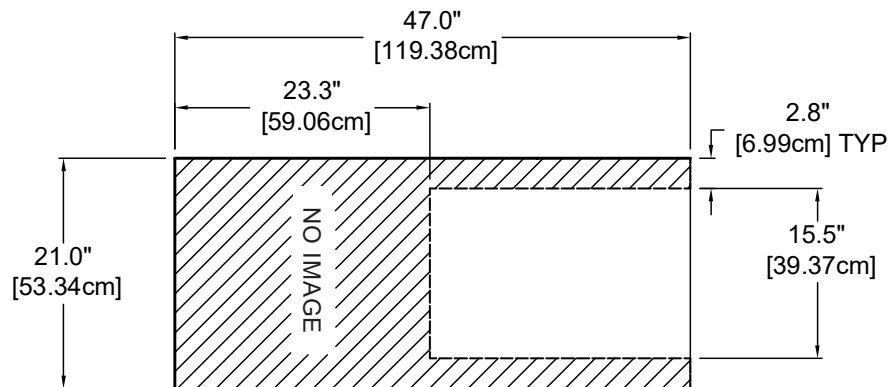
REFERENCE

USABLE IMAGING AREA - CFUR301 & CFUR 401

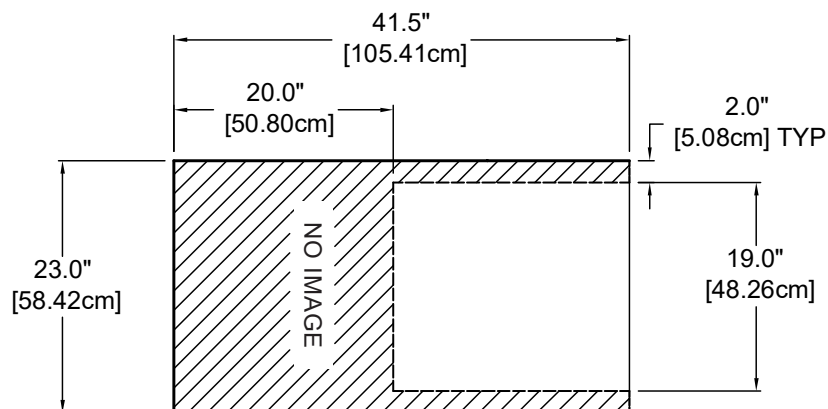
CENTERED FOR A-P VIEW:



OBLIQUE 30° VIEW FOR VERTICAL:



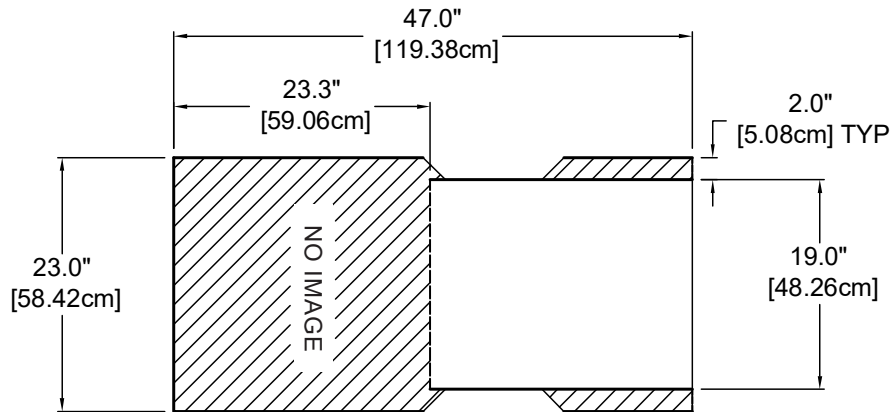
CAUDAL 30° VIEW FOR VERTICAL:



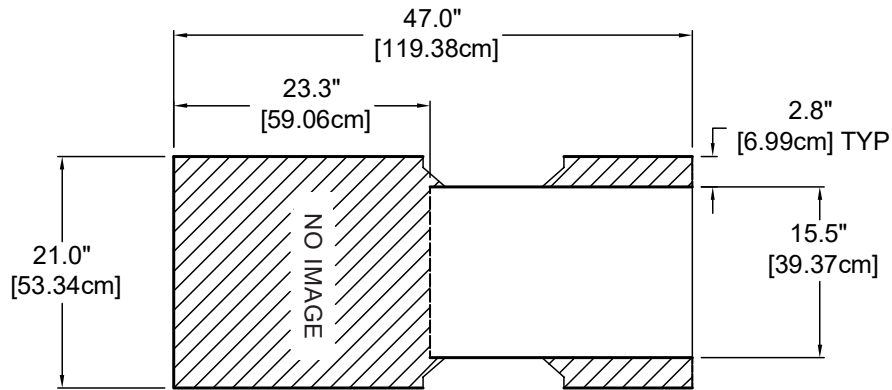
REFERENCE

USABLE IMAGING AREA - CFLU401

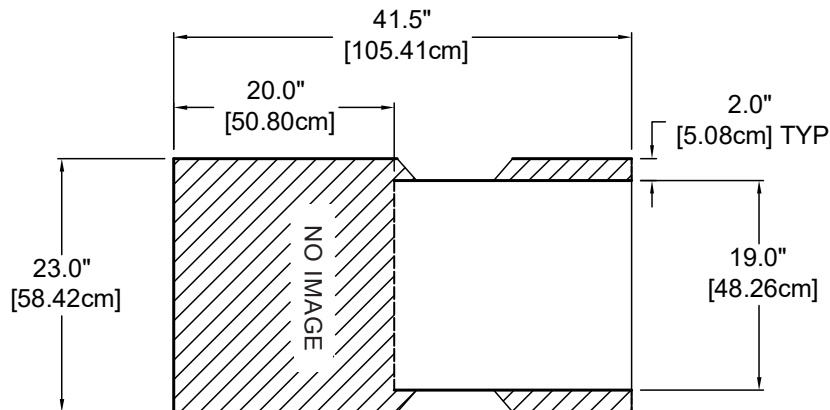
CENTERED FOR A-P VIEW:



OBLIQUE 30° VIEW FOR VERTICAL:



CAUDAL 30° VIEW FOR VERTICAL:



CLEANING & DISINFECTION

RECOMMENDED CLEANERS/DISINFECTANTS



DANGER

To reduce the risk of electric shock:
- Always unplug this furnishing from the electrical outlet before cleaning.

The following cleaners were tested by OAKWORKS® and found to be acceptably compatible with all materials used in construction of our tables:

1. Formula 409®
2. Fantastik®
3. Green Windex®

The following disinfectants were tested by OAKWORKS® and found to be acceptably compatible with all materials used in construction of our tables:

1. Parker Labs: Protex™ (EPA reg# 6836-152-82613)
2. Healthlink® E-Z Kill® (EPA reg# 59894-10-67454)
3. MADA Medical: Madacide-FD (EPA reg# 1130-15-11703)

The following disinfectants were tested by OAKWORKS® and found to be acceptably compatible with most materials, with some cautions as indicated:

1. 10% Sodium Hypochlorite (bleach) solution in water (EPA reg# 5813-100) (possible mild corrosion of plated metals)
2. Metrex Cavicide One (EPA reg# 46781-12) (possible slight deterioration of upholstery and wood lacquer)

OAKWORKS® recommends a prepackaged wipe for cleaners/disinfectants to ensure best distribution of disinfectant for the required kill time, without leaving excess residue and/or overexposing components therefore minimizing the potential for damage to materials. Please read and follow disinfectants manufacturers' directions for cleaning and disinfection.

The following disinfectants were tested by OAKWORKS® and found to be incompatible with some materials and are therefore NOT recommended for use:

1. Clorox Broad Spectrum Quaternary (EPA reg# 67619-20)(deterioration of upholstery, wood lacquer, plated metals)
2. Clorox Hydrogen Peroxide Disinfectant (EPA reg# 67619-24)(corrosion of metals, deterioration of upholstery and wood lacquer, leaves a hard-to-remove residue)
3. Virox Accel TB (EPA reg# 74559-1)(corrosion of metals, deterioration of upholstery and wood lacquer, leaves a hard-to-remove residue)
4. Clorox Healthcare Bleach Germicidal Cleaner (EPA reg# 56392-7)(deteriorates upholstery, wood lacquer, mild corrosion of metals, dissolves foam in pads)

OAKWORKS® does NOT recommend the use of cleaners/disinfectants containing Hydrogen Peroxide, Acetic Acid, or Phenolics. These chemicals can cause damage to the appearance and/or material integrity of various components. Also, while the recommended cleaners/disinfectants list includes products containing Quaternary Ammonium compounds ("quats"), not all products containing quats are approved for use. Some contain additional detergents and/or surfactants which can be detrimental to some materials.

A note on Bleach: While a 10% sodium hypochlorite (household bleach) solution (EPA reg# 5813-100 or equivalent) can be an effective disinfectant and is dilute enough to be benign to most materials, it alone is not an effective cleaner and a separate product must be used for the initial cleaning steps of the procedure. Because of possible chemical incompatibilities between various cleaning products and bleach, utmost care must be taken by the user to avoid potential exposure to harmful or toxic by-products of the combination. Also, because bleach leaves a potentially corrosive residue as it evaporates, it must be rinsed with clean water after disinfection. It is therefore NOT recommended by OAKWORKS®. Please note, one step cleaner/disinfectants using bleach and a detergent/ surfactant were found to damage materials and are NOT recommended.

CLEANING PROCESS



DANGER

To reduce the risk of electric shock:

- Always unplug this furnishing from the electrical outlet before cleaning.

Follow the cleaners/disinfectant manufacturers' directions for use. Please note that cleaning and disinfecting an OAKWORKS® table is a two part process. First it must be cleaned of any visible soil, then it can be disinfected. The table should be cleaned as soon as possible after use. Please follow these procedures for best results:

1. Using a fresh wipe or wipes, clean any visible soil off of the table, working from the top to the bottom of the table.
2. Throw the used wipe(s) away.
3. Using a fresh wipe or wipes, thoroughly wipe all surfaces of the tabletop and any high-contact areas such as handles, hand-sets, etc., making sure they remain wet for the disinfectant manufacturer's recommended contact time.
4. Throw the used wipe(s) away and allow the table to dry.

INSPECTIONS

RECOMMENDED REGULAR INSPECTIONS (monthly or local standard)

- Check for damage to the power, hand control(s) and foot control(s) on all cables.
- Visually inspect components for obvious damage that could cause problems during operation.

RECOMMENDED PERIODIC INSPECTIONS (yearly or local standard)

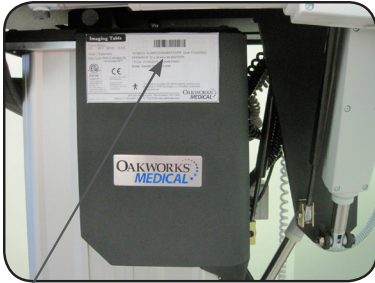
- Check for damage to the power, hands control and foot control cables and all visible wiring.
- Visually inspect components for obvious damage that could cause problems during operation.
- Check all mechanical functions using the hand control. Repeat using the foot control. Check for abnormal noises.
- Check that all fasteners are present and fastened securely.
- Check table grounding.
- Clean unusual buildup of dirt on the table and/or parts of the table not normally cleaned on a regular basis.
- Check for tears or cracks in the upholstery.

WARRANTY

View complete warranty details at www.oakworks.com

UNIQUE DEVICE IDENTIFICATION (UDI) INFORMATION

UNIQUE DEVICE IDENTIFICATION (UDI) INFORMATION




The UDI Label is located under a clear window of the Product Label.

Imaging Table

CFPM400 Table


Manufacturer:
 Oakworks, Inc.
 923 East Wellspring Road
 New Freedom, PA, USA 17349
 +1 717-235-6807
 www.oakworks.com

GTIN 00817463021325
 Manuf. date: 2016-10-26
 SN FL4636744
QTY: 1 EA




(01)00817463021325(11)20161026(21)FL4636744

120V~ 60Hz
 8.2 Amps Max

 CONFORMS TO:
 ANSI/AAMI
 STD ES60601-1
 IEC STD 60601-1-6
 Certified to
 CAN/CSA STD
 C22.2 No. 80601-1
Intertek
 3034177

230V~ 50Hz
 4.1 Amps Max

EC **REP** 


EMERGO EUROPE
 Prinsessegracht 201, 2414 AP,
 The Hague, The Netherlands



Class 1 Equipment
Duty Cycle:
MAX 2 minutes ON
18 minutes OFF

Part No. CN70537-1 - Rev. 1

This product complies with DHHS radiation performance standards 21 CFR Subchapter J, in the effect at the time of manufacturer.

OAKWORKS, Inc.
 923 East Wellspring Rd.
 New Freedom, PA 17349 USA
 Phone: 717-235-6807
 www.oakworks.com


made in the USA

 with US & imported parts

CFPM400 Table ← Model Name

Manufacturer:
 Oakworks, Inc.
 923 East Wellspring Road
 New Freedom, PA, USA 17349
 +1 717-235-6807
 www.oakworks.com

GTIN 00817463021325
 Manuf. date: 2016-10-26
 SN FL4636744
QTY: 1 EA



(01)00817463021325(11)20161026(21)FL4636744

← **GTIN** ← **Manufacture Date** ← **Serial Number**


Unique Device Information:

- *GTIN - 14 digit number unique for each variation of a model*
- *Manufacture Date - Date the device goes into production in YYYY-MM-DD format*
- *SN - Serial Number*
- *QTY - Quantity of the product*

SPECIFICATIONS

PRODUCT SPECIFICATIONS			
	NORTH AMERICA	EUROPE	
Weight	359-452 lbs.	163-205 kg.	
Shipping Weight	452-544 lbs.	205-247 kg.	
Lifting Capacity	500 lbs. (750 lbs. Bariatric)	227 kg. (340 kg. Bariatric)	
Materials of Construction	This product contains no latex.		
Aluminum Filtration Equivalence and thickness of Carbon Fiber Tabletop	ALUMINUM EQUIVALENCE		THICKNESS
	Non-Bariatric Tops	100 kVp, HVL of 3.6mm = 1.10 (1.35 max)	1.65" (4.2 cm)
	Bariatric Tops	100 kVp, HVL of 3.6mm = 1.50 (1.79 max)	2.18" (5.5 cm)
	All Extensions	100 kVp, HVL of 3.6mm = 1.66 (2.00 max)	.5" (1.3 cm)
	1" (2.5 cm.) Table Pad	100 kVp, HVL of 3.6mm = .88 (1.07 max)	1" (2.5 cm)
	2" (5 cm.) Table Pad	100 kVp, HVL of 3.6mm = .88 (1.07 max)	2" (5 cm)
This product complies with United States Department of Health and Human Services radiation performance standards, 21 CFR Sub chapter J, in effect at the time of manufacture for radiographic tables.			

ENVIRONMENTAL CONDITIONS			
Conditions	Temperature	Humidity	Atmospheric Pressure
Normal Use	50° (10°C) to 104° (40°C)	20% to 60% RH	98 to 105 kPa
Storage & Transport	-20° (-29°C) to 135° (57°C)	20% to 95% RH	98 to 105 kPa

ELECTRICAL SPECIFICATIONS				
Designed for:	CFPM100 Tables Only		CFPM400, CFPM401, CFPM301, CFLU401, CFUR401 & CFUR301 Tables	
	NORTH AMER- ICA	EUROPE	NORTH AMER- ICA	EUROPE
Input Service (All electric tables)	120 VAC/15 amp/60 Hz	230 VAC/10 amp/50/60 Hz	120 VAC/15 amp/60 Hz	220 VAC/10 amp/50/60 Hz
Current Draw	5.8 amps	3.0 amps	8.2 amps	4.5 amps
Maximum Momentary Current Consumption	9.0 amps	4.5 amps	12.3 amps	6.7 amps
Voltage Output to Actuators	120 VDC	220 VDC	24V top, 120V Column	24V top, 220V Column
Electric Shock Protection	Class 1 Equipment			
Tabletop Applied Part	 Type B Applied Part			
Ingress Protection Rating	IPX0			
Mode of Operation	Intermittent Operation: MAX 2 minutes ON / 18 minutes off			

SPECIFICATIONS

Guidance and Manufacturer's Declaration - Electromagnetic Emissions All Equipment and Systems (except CFPMFXH)

The table is intended for use in the electromagnetic environment specified below. The customer or the user of the table should assure that it is used in such an environment.

Emissions Test	Compliance	Electromagnetic environment - guidance
RF emissions CISPR 11	Group 1	The table uses RF energy only for its internal function. Therefore, its RF emissions are very low and are not likely to cause any interference in nearby electronic equipment.
RF emissions CISPR 11	Class A	The table is suitable for use in all establishments other than domestic and those directly connected to the public low-voltage power supply network that supplies buildings used for domestic purposes.
Harmonic emissions IEC 61000-3-2	Class A	
Flicker emissions IEC 61000-3-3	Complies	

Recommended Separation Distances between the portable and mobile RF Communications equipment and the Oakworks Imaging Tables for Equipment and Systems that are **NOT** life-supporting

The table is intended for use in the electromagnetic environment in which radiated RF disturbances are controlled. The customer or the user of the table can help prevent electromagnetic interference by maintaining a minimum distance between portable and mobile RF communications equipment (transmitters) and the table as recommended below, according to the maximum output of the communications equipment.

Rated maximum output power of transmitter W	Separation distance according to frequency of transmitter (m)		
	150 kHz to 80 MHz $d = 1.2 \sqrt{P}$	80 MHz to 800 MHz $d = 1.2 \sqrt{P}$	800 MHz to 2.5 GHz $d = 2.3 \sqrt{P}$
0.01	0.12	0.12	0.23
0.1	0.38	0.38	0.73
1	1.2	1.2	2.3
10	3.8	3.8	7.3
100	12	12	23

For transmitters rated at a maximum output power not listed above, the recommended separation distance d in meters (m) can be estimated using the equation applicable to the frequency of the transmitter, where P is maximum output power rating of the transmitter in watts (W) according to the transmitter manufacturer.

NOTE 1 At 80 MHz and 800 MHz, the separation distance for the higher frequency range applies.

NOTE 2 These guidelines may not apply in all situations. Electromagnetic propagation is affected by absorption and reflection from structures, objects and people.

SPECIFICATIONS

PRODUCT DISPOSAL

Disposal of the OAKWORKS® Imaging Tables must be compliant with the applicable regulations and requirements of the local state environmental protection agency, state health agency, Centers for Disease Control (CDC), Occupational Safety and Health Administration (OSHA), U.S. Food and Drug Administration (FDA) as well as any other local authorities that apply to this product.

USER MANUAL

OAKWORKS® Imaging Tables

CONTACT INFORMATION:

OAKWORKS® Inc.

923 East Wellspring Road
New Freedom, PA 17349

Phone: 717-235-6807

FAX: 717-235-6798

www.oakworksmed.com



EMERGO EUROPE

Prinsessegracht 201
2414 AP The Hague
The Netherlands



Intertek
3034177

CONFORMS TO:
ANSI/AAMI STD ES60601-1
IEC STD 60601-1 3RD EDITION
IEC STD 60601-1-2 4TH EDITION
IEC STD 60601-1-6 3RD EDITION
IEC STD 60601-2-32
CERTIFIED TO CAN/CSA STD C22.2 NO. 60601-1
CB TEST CERTIFICATE AND REPORT

FCC Rules and Regulations, Title 47, Part 15, Subpart B, Class A. Unintentional Radiators.

NOTE: This equipment has been tested and found to comply with the limits for a Class A digital device, pursuant to part 15 of the FCC Rules. These limits are designed to provide reasonable protection against harmful interference when the equipment is operated in a commercial environment. This equipment generates, uses, and can radiate radio frequency energy and, if not installed and used in accordance with the instruction manual, may cause harmful interference to radio communications. Operation of this equipment in a residential area is likely to cause harmful interference in which case the user will be required to correct the interference at his own expense.

Original Instructions

Manual Part Number MMMNST0008-EN

Revision Level: 6

Revision Date: 03/06/2019

English, Printed in USA

