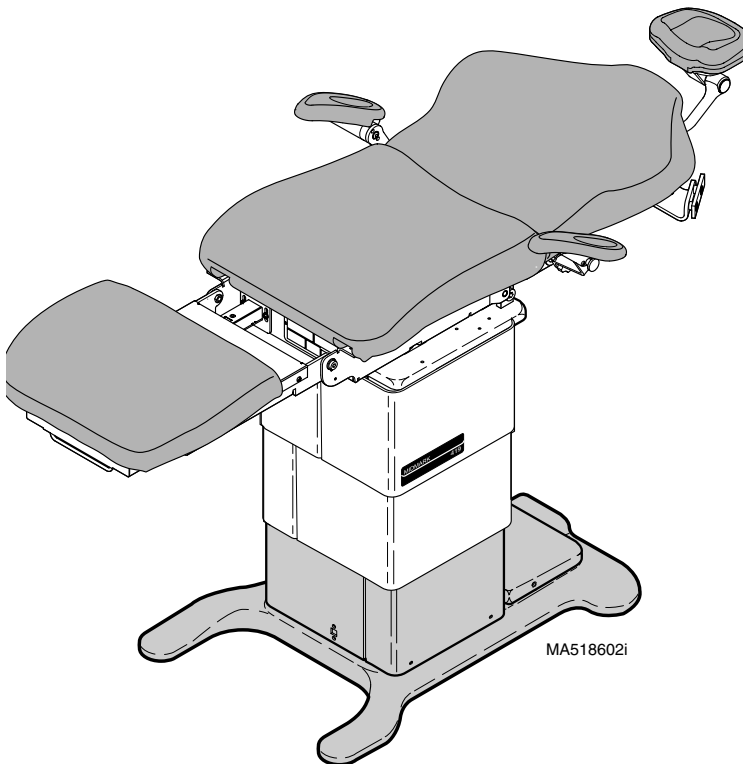


MIDMARK®



Installation and Operation Manual

419 Power Examination Table



**Important
Information**
Page 2

Installation
Page 4

Operation
Page 8

**Operator
Maintenance**
Page 20

**Components
Overview**
Page 21

**Controls &
Indicators**
Page 22

**Calling For
Service**
Page 27

Specifications
Page 27

**Range of
Motion**
Page 28

**Limited
Warranty**
Page 29

Owner's Product Identification

(Information required when calling for service)

Date of Purchase

Serial Number

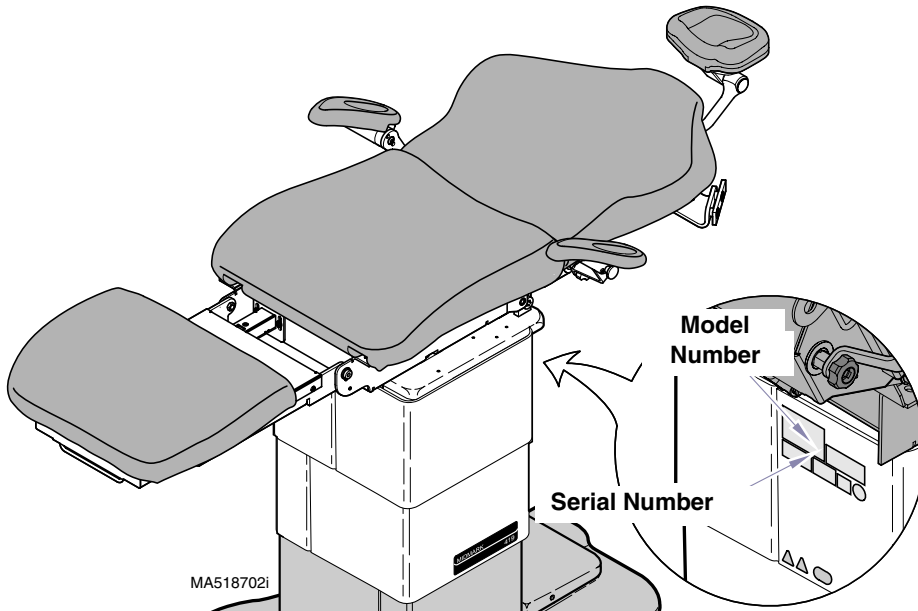
Name of Owner / Facility / Department

Model Number

Name of Authorized Midmark Dealer

Telephone # of Authorized Midmark Dealer

Address of Authorized Midmark Dealer



CONTENTS

IMPORTANT INFORMATION	2
Intended Use of Product.....	2
Patient Positioning.....	2
Authorized CE Representative	2
Safety Instructions.....	2
Transportation and Storage Conditions	2
Explanation of Safety Symbols and Notes	3
INSTALLATION.....	4
Unpacking	4
Headrest Adjustment Tools	5
Electrical Requirements	5
Leveling The Table	5
Foot / Hand Control Installation.....	6
Upholstery Installation.....	7
OPERATION.....	8
Standard Table Functions.....	9
Programming Table Positions (<i>Programmable tables only</i>).....	10
Home Function (<i>Programmable tables only</i>).....	12
Multiple Function Positioning.....	13
Footrest Extension Lamp	13
Armrest Adjustment.....	14
Armrest Removal / Installation	14
Headrest Positioning / Removal / Orientation.....	15
Headrest Slide Adjustment.....	16
Headrest Pivot Tension Adjustment	17
Accessory Rails.....	17
List of Authorized Accessories	18
OPERATOR MAINTENANCE	20
Preventive Maintenance	20
Care of Table.....	20
COMPONENTS OVERVIEW	21
CONTROLS & INDICATORS	22
CALLING FOR SERVICE	27
SPECIFICATIONS	27
RANGE OF MOTION	28
LIMITED WARRANTY	29

IMPORTANT INFORMATION

Intended Use of Product

This product is intended to be used as a chair / table to provide positioning and support of patients during general examinations and procedures (primarily focusing around the shoulder, neck, and head area of the patient) conducted by qualified medical professionals.

Patient Positioning

The table is designed to accommodate the following examination positions:

- Flat Table Position
- Chair Position

Authorized CE Representative

Countries in the EEC should direct all questions, incidents, and complaints to Midmark's Authorized CE representative listed below:

Promotal
22, Rue De St. Denis
53500 Ernee,
FRANCE

Phone: 33-2-430-517-76
Fax: 33-2-430-569-10

Safety Instructions

To assure safe and reliable operation:

- Read and understand this manual before installing or operating the table.
- Inform appropriate personnel of the contents of this manual
- Store this manual near the table.

Transportation and Storage Conditions

- Ambient Temperature Range: +41°F to 100°F (+5°C to +38°C)
- Relative Humidity 10% to 90% (non-condensing)
- Atmospheric Pressure..... 500hPa to 1060hPa (0.49atm to 1.05atm)

Explanation of Safety Symbols and Notes



DANGER

Indicates an imminently hazardous situation which, if not avoided, will result in death or serious injury. The DANGER symbol is limited to the most extreme situations.



WARNING

Indicates a potentially hazardous situation which, if not avoided, could result in death or serious injury.



CAUTION

Indicates a potentially hazardous situation which, if not avoided, may result in minor or moderate injury. It may also be used to alert against unsafe practices.



EQUIPMENT ALERT

Indicates an imminently or potentially hazardous situation which, if not avoided, will or may result in serious, moderate, or minor equipment damage.

NOTE

Amplifies an operating procedure, practice, or condition.



Consult operator's manual for important information



Proper shipping orientation



Fragile.



Type B, Applied Part.



Protective earth ground



Duty cycle: (motor run time 15 seconds on, 5 minutes off).



Keep dry.



Minimum and maximum storage temperatures for the unit.



Maximum stacking height of *palleted* units



Fuse rating specification



Dangerous voltage / shock hazard.

INSTALLATION

Unpacking

1. Remove packaging and inspect for shipping damage.
NOTE: Report any damage to shipping company and fill out a concealed damage report.
2. Cut cable ties securing headrest and footrest section.
3. Using 3/4" open end wrench or socket, remove two bolts (1, Figure 1) from underside of table base (one on each side).



WARNING

Table weighs approximately 515.0 lbs (233.6 kgs). Use an assistant and proper lifting techniques when removing table from skid. Failure to do so could result in personal injury.



EQUIPMENT ALERT

Do not lift at points (2). These are unsupported areas. Failure to comply could result in damage to the table.

4. Lift table at points (3 & 4) & remove from skid. Position table as desired.

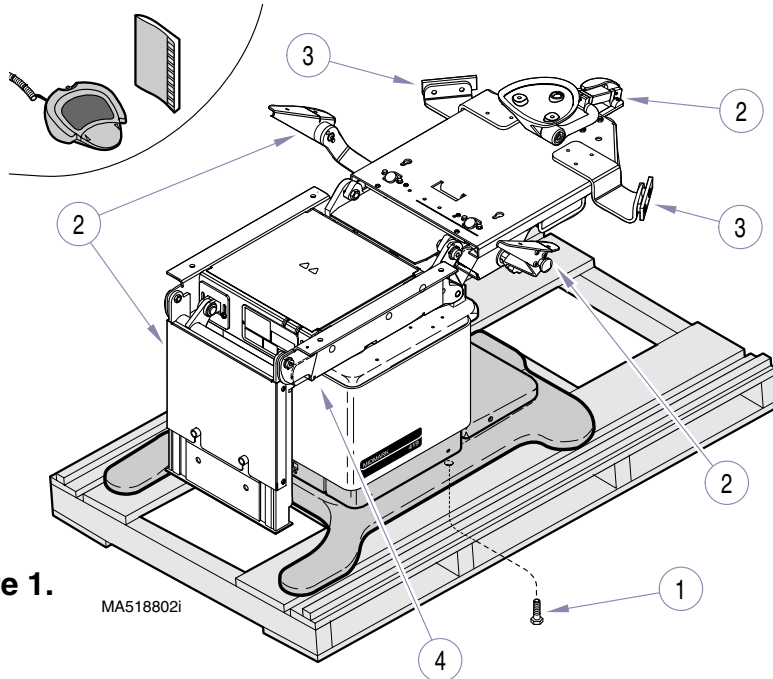


Figure 1.

MA518802i

Headrest Adjustment

Headrests are adjusted at the factory. If further adjustments are necessary for the headlock assembly, use a 3/32" and a 3/16" Allen Wrench.

Installation

Electrical Requirements



WARNING

Most exposed metal parts of the table are electrically grounded. When performing a cauterization or similar treatment, the patient must be insulated from the metal portions of the table by non-conductive material. Failure to do so could result in electrical shock or burns to patient.

On 115 VAC units, use 115 VAC, 50/60 HZ alternating current only and on 230 VAC units, use 230 VAC, 50/60 HZ alternating current only. Failure to do so could result in electrical shock to personnel and will result in damage to table.

NOTE

Grounding reliability can only be achieved if this equipment is connected to an equivalent receptacle marked Hospital Grade (NEMA 5-15R, HOSPITAL GRADE).

The electrical rating for the 115 V unit is 115 VAC, 50/60 Hz, 11 amps. The electrical rating for the 230 V unit is 230 VAC, 50/60 Hz, 5.5 amps. The three-pronged grounding plug on the table power cord must be plugged into a matching three-pronged, grounded, dedicated, correctly polarized receptacle. The table power cord provides power for all electrical functions of the table.

Leveling The Table

Adjust four leveling screws (1, Figure 2) [located under each corner of table] until table is level.

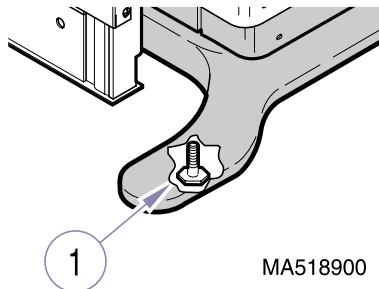
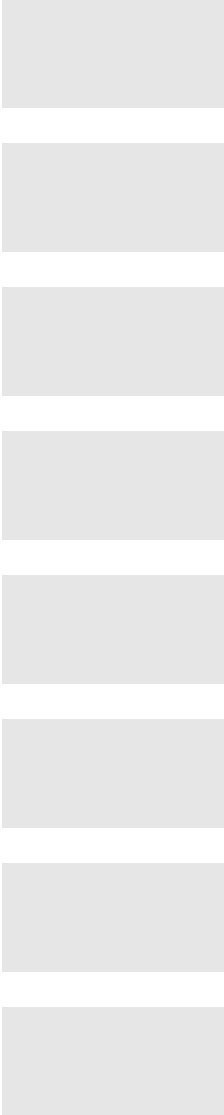


Figure 2.



Foot / Hand Control Installation

Foot Control

1. Insert foot control cord (1, Figure 3) into foot control receptacle (2).

Hand Control (optional)

1. Insert hand control cord (3) into hand control receptacle (4).
2. Hang hand control on hanger (5) when not in use.

NOTE

The hand control hanger may be installed on opposite side of the table using the two predrilled holes behind the armrest.
The foot control receptacle and hand control receptacle are interchangeable.

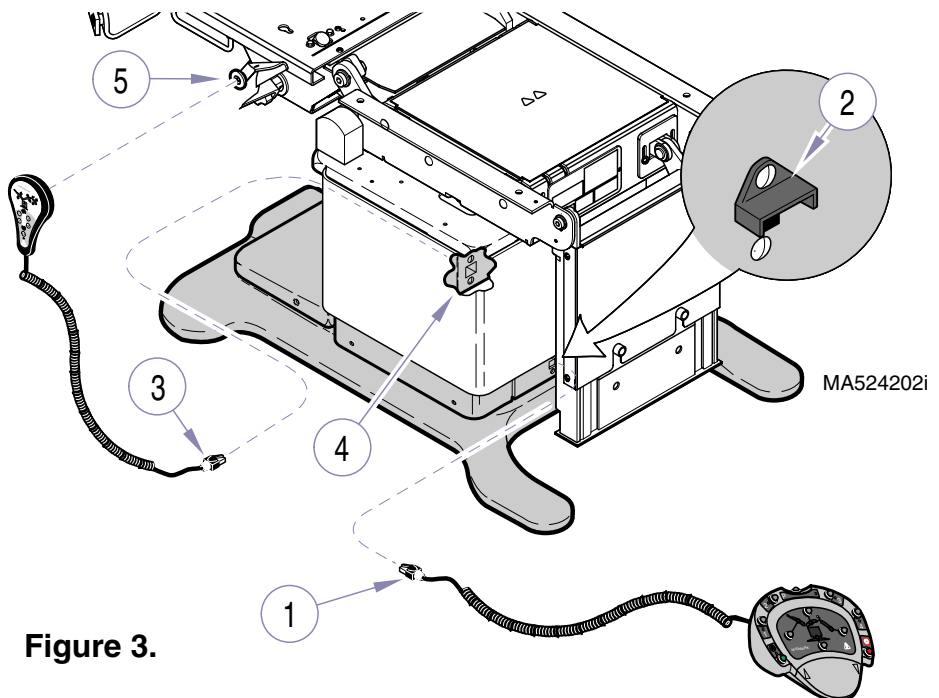


Figure 3.

Upholstery Installation



EQUIPMENT ALERT

Do not use a sharp object to open upholstery packaging. This could result in accidental damage.

1. Remove packaging and inspect for shipping damage.
NOTE: Report any damage to shipping company and fill out a concealed damage report.
2. Using foot / hand control, move table to horizontal position; then raise BACK section approximately 10°.

Back

3. Position back upholstery (1, Figure 4) with two locking posts (A) in slots (B); then push upholstery toward foot end to engage posts. Secure with two large knobs (2).

Seat

4. Position seat upholstery (3) and secure with four large knobs (4).

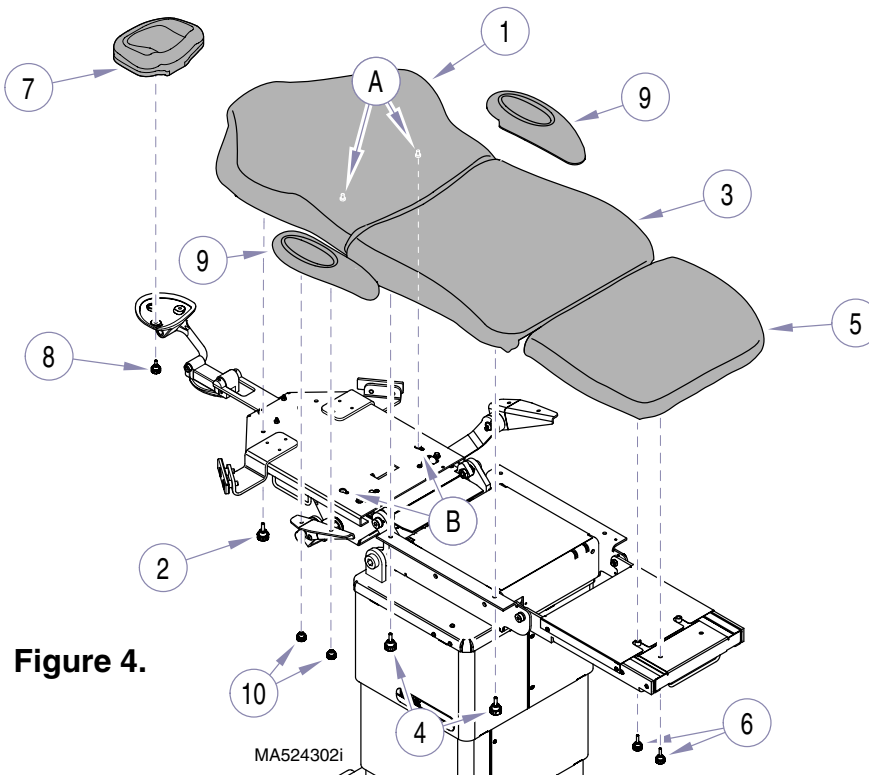


Figure 4.

MA524302i

Footrest

5. Position footrest upholstery (5) and secure with four 3/4" knobs (6).

Headrest

6. Position headrest upholstery (7) and secure with two 1/2" knobs (8).

Armrests

7. Position armrest upholstery (9) and secure with two female thread knobs (10).

OPERATION**DANGER**

If the table malfunctions, immediately release function button(s), unplug the table power cord, and assist the patient from the table. If table continues to malfunction, call for service..

Keep personnel and equipment clear of the table before initiating power movement to avoid personal injury or equipment damage.

**CAUTION**

To prevent foot control pedals and switches from being inadvertently activated, do not position foot control directly below foot section or headlock assembly of table.

**EQUIPMENT ALERT**

For optimal table performance, allow the table to reach room temperature before operating.

Movement of the Tilt, Back, and Foot functions will automatically stop when the travel limit is reached, but the actuators will continue to run until button/pedal is released. Release button/pedal when movement stops. Failure to comply may cause actuator motor to overheat and reduce the life of motor.

NOTE

This equipment is designed for intermittent operation (motor run time = 15 seconds on / 5 minutes off); each motor is protected by a thermal overload safety switch. If operation of a function ceases, immediately stop operation and allow the motor to cool for 10 to 15 minutes before next use. The thermal overload safety switches automatically reset when the motor cools to a safe operating temperature.

Standard Table Functions

To operate standard table functions [Base Up/Down, Back Up/Down, Tilt Up/Down, Foot Up/Down] follow the instructions below.

Using Foot Control (standard):

1. Activate desired table function (Base, Back, Tilt, Foot) by pressing corresponding button. [**Note:** Each function has a light, which illuminates when that function is activated]. See Figure 5.
2. Within 10 seconds, press and hold desired side of Foot Pedal. [Left side of pedal = UP, Right side of pedal = DOWN]
Release pedal to stop movement.

Using Hand Control (optional):



EQUIPMENT ALERT

Do not immerse hand control in water / fluids. Failure to comply could result in damage to hand control and/or electric shock.

1. Press and hold button for desired function. Release button to stop movement. See Figure 5.

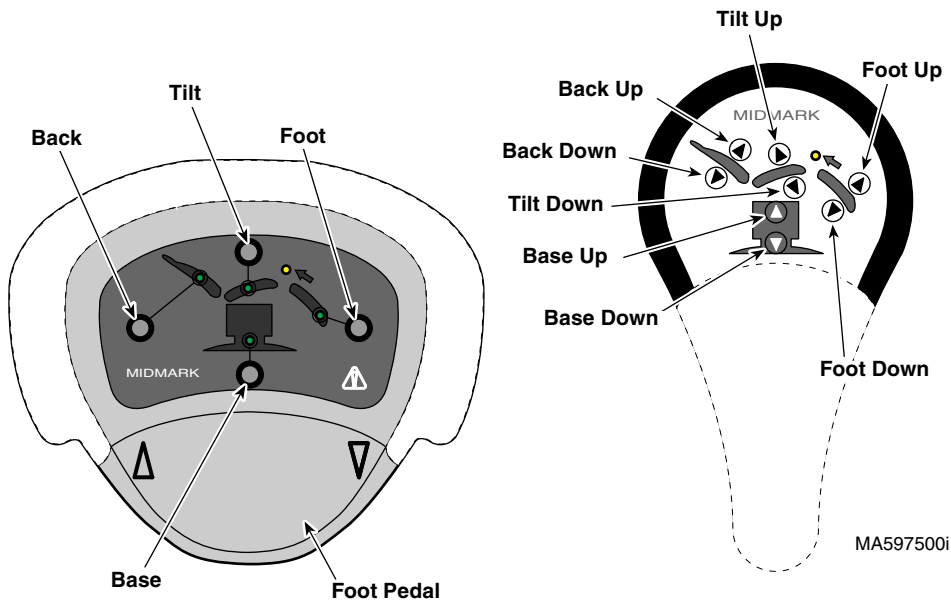


Figure 5.

Programming Table Positions

(Programmable Tables only)

Up to four table positions can be stored in memory. This allows the operator to recall frequently used positions quickly and easily. To change a programmed position, simply repeat the programming procedure. The new position will replace the existing one.

To program a table position:

1. Move table to desired position.
2. Press Program button (1, Figure 6); *[Program Mode lamp will illuminate]*
Note: step 3 must be performed within 5 seconds of step 2.
3. Press the desired Program Position button (2).
[Program Mode lamp will flash 3 times to indicate position was stored. If programming fails, repeat this procedure.]

To recall a programed position:

1. Using Hand Control: Press & hold the desired Program Position button (2).
Using Foot Control: Press desired Program Position button (2).
Note: w/foot control, step 2 must be performed within 10 seconds of step 1.
[Lamp beside Program Position button will illuminate]
1. Press and hold either side of Foot Pedal (3).

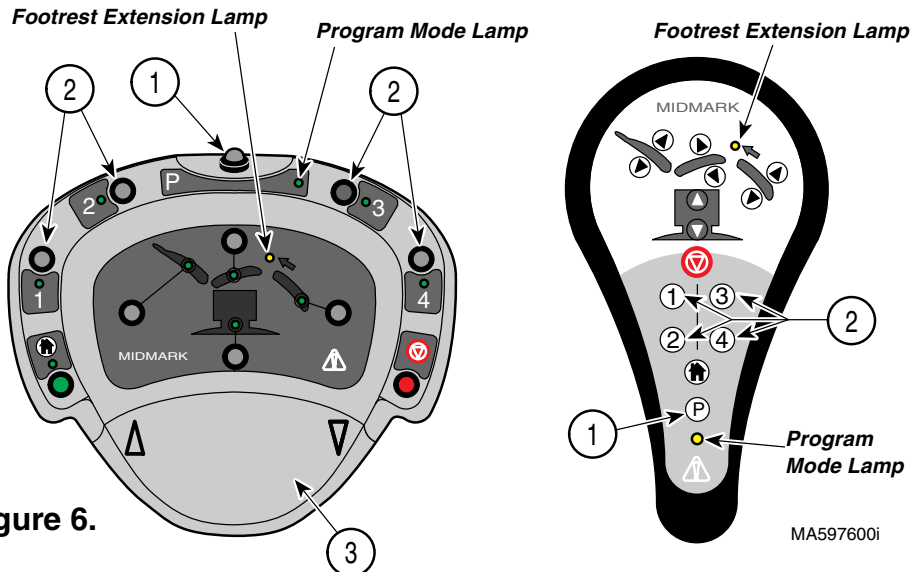


Figure 6.

MA597600i

Listed below are solutions to common problems experienced during the programming procedure.

PROBLEM #1

When attempting to recall a programmed position, there is no movement and Program Mode lamp flashes.

Solution:

There is no table position saved for this Program Position button. Perform Programming Procedure to re-enter table position.

PROBLEM #2

When attempting to recall a programmed position, table stops and Footrest Extension Lamp flashes.

Solution:

Push footrest extension to its stowed position.

PROBLEM #3

Programming procedure continually fails.

Solution:

Perform Error Clearing Procedure, then repeat Programming Procedure.

Error Clearing Procedure:

1. Unplug table power cord.
2. Press and hold Program button (1, Figure 6) while plugging in power cord.
[Program Mode lamp / Footrest Extension lamp will illuminate for 5 seconds]
Release Program button when lamps go out.
3. After 10 - 20 seconds the table will sound two beeps to indicate memory was successfully cleared.

Home Function (*Programmable Tables only*)

The Home button automatically moves the table's Base function to its lowest height. The Back, Tilt, and Foot functions do not move.



CAUTION

Be sure personnel and equipment are clear of table before activating Home function. Failure to do so could result in personal injury and / or equipment damage.

To activate Home function:

1. Press Home button (1, Figure 7). [*Home function lamp will illuminate*]
If using hand control, table will move to its lowest height.
2. Press and release right side of foot pedal (2).
[*Home function lamp will go out and table will move to its lowest height*]

NOTE

If table stops before reaching its lowest height and Footrest Extension Lamp flashes, push footrest extension to stowed position and push Home button.

3. To stop movement at any time, press Stop button (3).

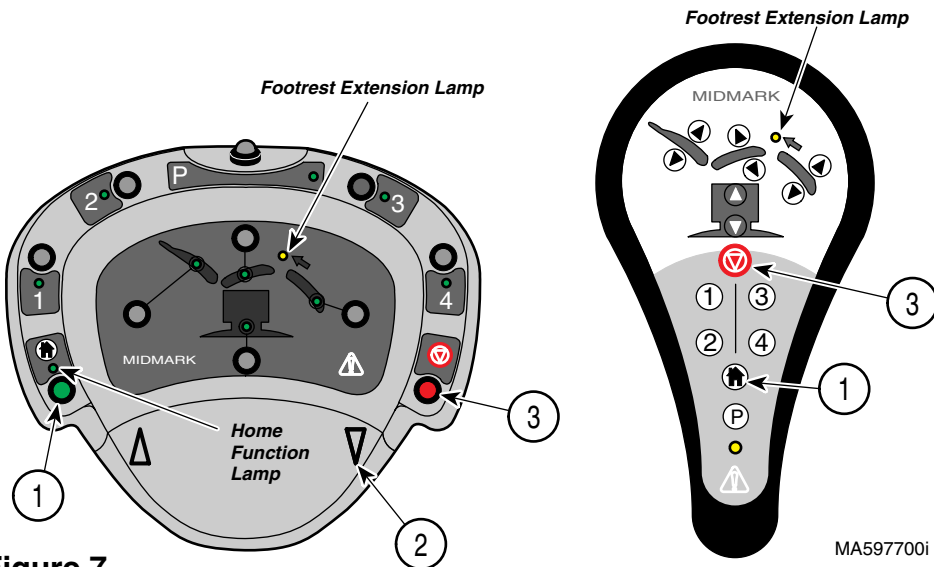


Figure 7.

MA597700i

Multiple Function Positioning

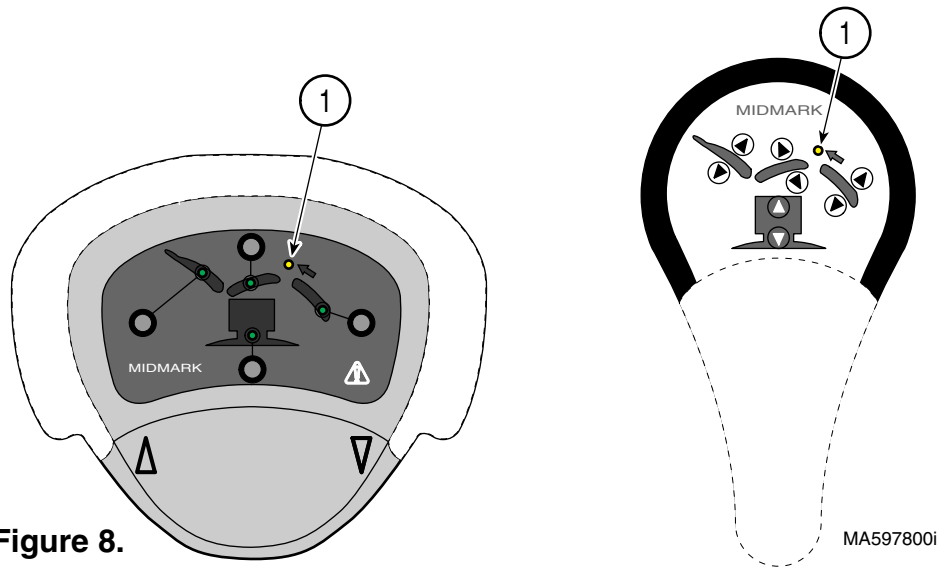
When using the foot control, only one function may be selected at a time; pressing any other function will deactivate the previously selected function.

When using the hand control, multiple functions can be operated at the same time. However, if a function's up and down buttons are pressed at the same time, neither function will move.

Footrest Extension Lamp

When the Footrest Extension Lamp (1, Figure 8) is illuminated, the following functions will not operate: *Tilt Down*, *Base Down*, & *Foot Down*. This prevents the footrest extension from colliding with the floor.

To resume normal operation, push the footrest extension to its stowed position.



Armrest Adjustment

1. Pull stop pin (1, Figure 9) outward.
2. Rotate armrest (2) up or down until stop pin locks armrest in desired position.

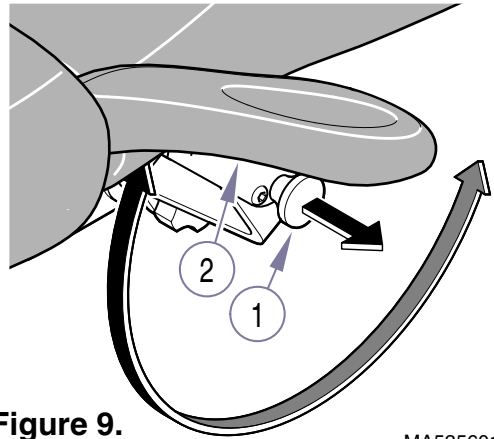


Figure 9.

MA525601i

Armrest Removal / Installation

Removal

1. Loosen knob (1, Figure 10) and pull armrest (2) out of drive slot (3).

Installation

1. Insert drive rod of armrest (2) into drive slot (3). Be sure armrest is parallel to seat section ($\pm 10^\circ$).
2. Tighten knob (1).

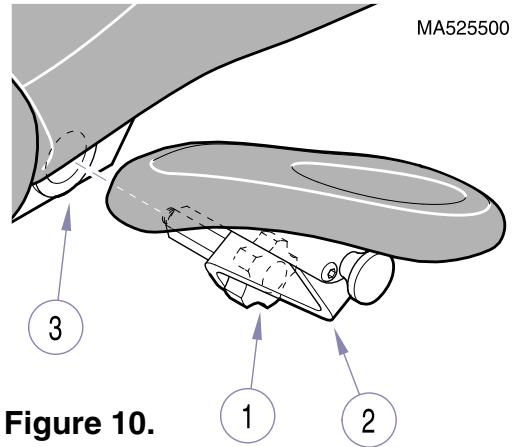


Figure 10.

MA525500

Headrest Positioning / Removal / Orientation

The headrest can be removed and exchanged with another approved headrest to facilitate specific procedures (See List of Authorized Accessories later in this manual).



CAUTION

Be sure headrest is securely in position before use. Failure to secure headlock assembly could result in serious injury.

To position the headrest (1, Figure 11), slide in or out as desired.

To remove the headrest (1), pull headrest straight out of slide mechanism (2).

To install headrest (1), slide headrest into slide mechanism (2).

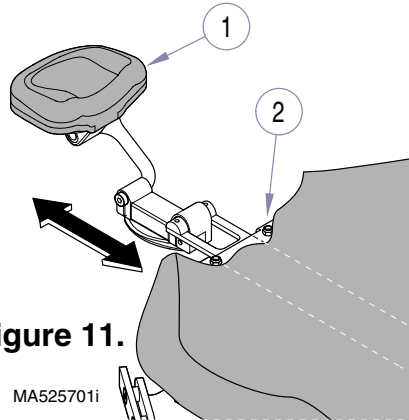


Figure 11.

To orient the headrest:
(Figure 12)

Pivot Point (A)

1. Position headrest at pivot point (A) as desired.

Pivot Points (B & C)

2. Pull handle(1) outward to unlock.
3. Position headrest at pivot points (B & C) as desired.
4. Push inward on handle (1) to lock in place.
5. Apply pressure to headrest to ensure headrest assembly is securely locked in position.

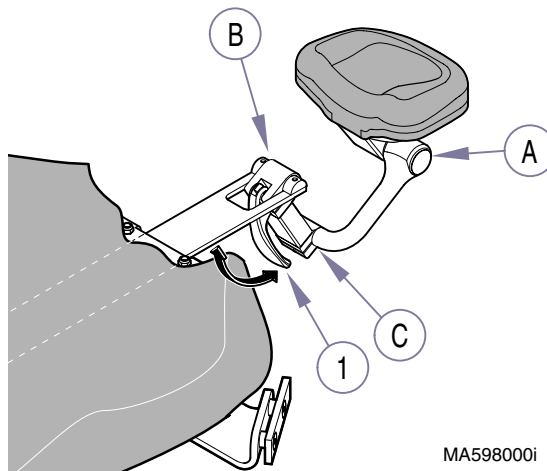


Figure 12.

Operation

Headrest Slide Adjustment

The headrest slide mechanism holds the headrest in place using friction. The following procedure adjusts the friction holding the headrest in place, as well as the amount of force needed to slide it up or down..



CAUTION

After making any adjustments, be sure headrest mechanism will hold desired position before performing next procedure. Failure to do so could result in serious injury to patient.

NOTE

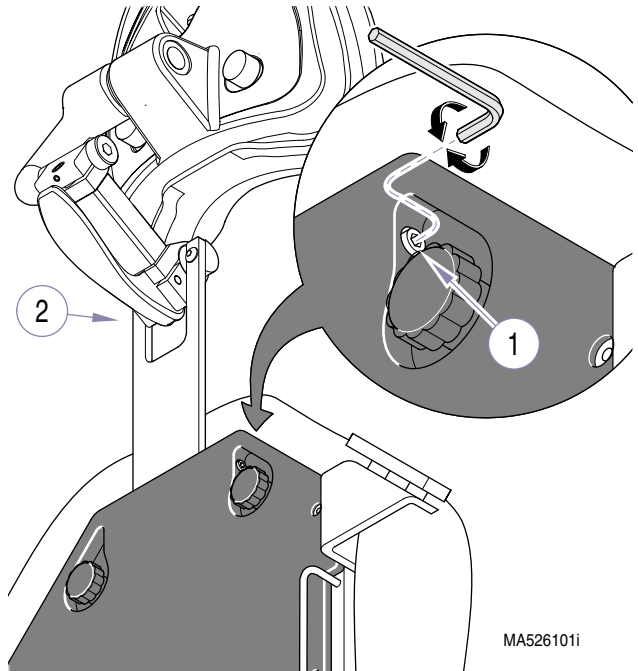
Use a 3/16" allen wrench to perform the following adjustments.

To tighten headrest slide mechanism:

1. Tighten screw (1, Figure 13) until headrest bar (2) slides up/down as desired.

To loosen headrest slide mechanism:

2. Loosen screw (1, Figure 13) until headrest bar (2) slides up/down as desired.



MA526101i

Figure 13.

Headrest Pivot Tension Adjustment

This adjustment affects the tension at pivot points (A & B, Figure 14).



CAUTION

After making any adjustments, be sure headrest mechanism will hold desired position before performing next procedure. Failure to do so could result in serious injury to patient.

1. Move handle to unlocked position.
2. Loosen set screw (1).
3. **To increase tension:**
Tighten screw (2).
- To decrease tension:**
Loosen screw (2).
4. Tighten set screw (1).
5. Move handle to locked position & check for proper operation. Repeat procedure if necessary.

Accessory Rails

To mount authorized accessories, a 3/8 in. x 1 in. rail (1, Figure 15) is located along each side of the back section.

(See *List of Authorized Accessories in this manual*).

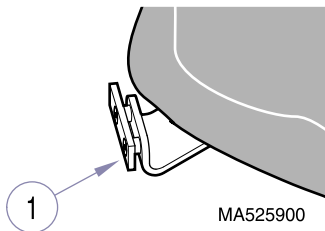


Figure 15.

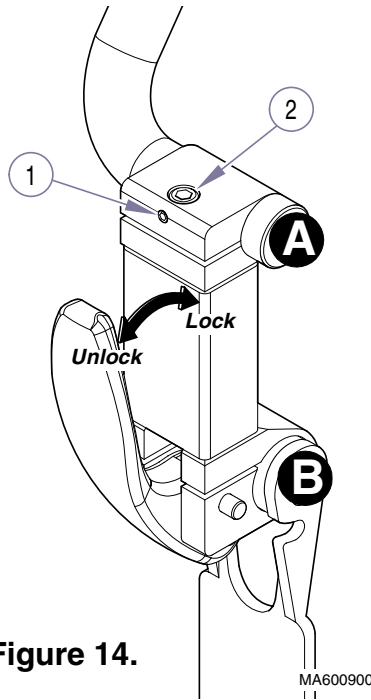


Figure 14.

List of Authorized Accessories

Listed below are the accessories authorized for use with this table.

Accessory Name	Order Number	Restrictions / Intended Use
IV Pole	9A77001	Restrictions - Must be removed or rotated clear of moving parts before positioning table. Also, the IV Pole may interfere with an 8 ft. (20.3 cm) ceiling. Intended Use - To provide secure support for the fluid for an IV infusion. Used with a 9A272 Base Rail.
Vision Block Screen	9A78001	Restrictions - Must be removed or rotated clear of moving parts before positioning table. Intended Use - To obscure the patient's vision of a general procedure / examination. Used with a 9A272 Base Rail.
Articulating Armboard	9A81001	Restrictions - Do not use with any other accessory on the same side of table. Use caution when positioning this accessory and positioning table. Intended Use - To hold an arm in a secure position.
Special Procedures Armboard	9A82001	Restrictions - Do not operate table with this accessory installed. Intended Use - To provide positioning and restraint for an arm during a minor procedure on the hand.
Fixed Armboard	9A179002	Restrictions - Do not use with any other accessory on the same side of table. Use caution when positioning this accessory and positioning table. Intended Use - To hold the arm in a secure position, while the table is in a flat position.
Welch Allyn Bracket	9A182001	Intended Use - To hold a Welch Allyn light on the table. Used with a 9A272 Base Rail.
Caster Base	9A213001	Restrictions - Do not use simultaneously with 9A273001, Knee Crutch. Intended Use - To attach to the examination table to allow for mobility of the examination table.
Foot Control - Programmable	9A253001	Intended Use - To position the table before, during, or after an examination or general procedure by using the foot.
Seat Rails	9A254001 9A254002	Restrictions - Do not use simultaneously on the same side of table with 9A272, Base Rail. Intended Use - To provide a secure support for the attachment of Midmark accessories to the seat section of the table.
Non-articulating Headrest w/ Adjustment Pad	9A255xxx	Intended Use - To provide non-articulated support of patient's head
Restraint Straps	9A265001 9A265002	Intended Use - To confine the patient to the table during an examination / general procedure.

Operation

Accessory Name	Order Number	Restrictions / Intended Use
Large Headrest Pillow	9A266xxx	Intended Use - To provide a larger pillow support area for patient's head. Interchangeable with standard headrest pillow on double & triple articulating headrests.
Instrument Tray (double arm)	9A267001	Restrictions - Must be removed or rotated clear of moving parts before positioning table. Total weight allowed to be placed on tray is not to exceed 15 lbs (6.8 kg), centered on tray. Do not use more than one 9A267, Instrument Tray simultaneously on same side of table. Intended Use - To hold instruments used during an examination or general procedure. Used with a 9A272 Base Rail.
Instrument Tray (single arm)	9A267002	Restrictions - Must be removed or rotated clear of moving parts before positioning table. Total weight allowed to be placed on tray is not to exceed 30 lbs (13.6 kg), centered on tray. Do not use more than one 9A267, Instrument Tray simultaneously on same side of table. Intended Use - To hold instruments used during an examination or general procedure. Used with a 9A272 Base Rail.
Instrument Tray (only)	9A268001	Intended Use - To provide additional tray(s) for use with 9A267 Instrument Tray. Used with a 9A267 Instrument Tray.
Base Rail Assembly	9A272001 9A272002	Restrictions - Do not use simultaneously on the same side of table with 9A254, Seat Rail Assembly. Intended Use - To provide a secure and stationary support for the attachment of other accessories (9A77 IV Pole, 9A78 Vision Block screen, 9A267 Instrument Tray, 9A182 Welch Allyn Bracket) of which the multiple attachment of these accessories, at the same time, is not recommended.
Knee Crutch Assembly	9A273001	Restrictions - Must be removed or rotated clear of moving parts before positioning table. Also, do not use simultaneously with 9A21300X, Caster Base Assembly. Intended Use - To provide support for the knee and legs.
Hand Control - Programmable	9A277001	Intended Use - To position the table, before, during, or after an examination or general procedure by using the hand.
Upholstery Kits	002-0607-xxx <i>xxx - specifies color; call for available colors.</i>	Intended Use - To allow a facility to install the type of upholstered top which best suits their patient's needs.
Wrist Rest Kit for Dbl. Articulating Headrest	9A278002	Restrictions - To be used with Dbl. Articulating Headrest 9A310xxx Intended Use - To provide support for wrists during general procedures and examinations.
Paper Roll Holder	9A303002	Intended Use - To allow user to attach a paper roll to exam table. <i>(Max. paper roll size: 18" long x 3.5" dia.)</i>

Accessory Name	Order Number	Restrictions / Intended Use
Dbl. Articulating Headrest	9A310xxx	Intended Use - To provide double articulating support for patients head. When ordering, specify upholstery color.
Wrist Rest Kit for Triple Articulating Headrest	9A311001	Restrictions - To be used with Triple Articulating Headrest 9A312xxx Intended Use - To provide support for wrists during general procedures and examinations.
Triple Articulating Headrest	9A312xxx	Intended Use - To provide triple articulating support for patients head. When ordering, specify upholstery color.

OPERATOR MAINTENANCE

Operator Maintenance

Preventive Maintenance

Periodically inspect the following areas:

- Power cord should be free of cuts or other visible damage.
- All fasteners should be present and tightened securely.
- All mechanical functions should operate properly.

Periodically lubricate the following areas to maintain quiet, smooth operation:

- Back, Tilt, & Foot hinges using a light machine oil
- Accessory rails and foot extension slide using household furniture wax.

Have your table inspected by an authorized service technician every six months.

Care of Table



EQUIPMENT ALERT

The table's upholstery is resistant to most medicinal-type stains, but may be damaged by solvents and dyes. Immediately remove any fluids spilled on the upholstery.

Clean the table weekly, wiping the painted metal and plastic surfaces with a clean, soft cloth, and mild cleaners. Periodic applications of common furniture wax will ease cleaning and maintain the finished luster of the table.

COMPONENTS OVERVIEW

Figure 16 shows the location of the table's major components. Refer to chart below for description.

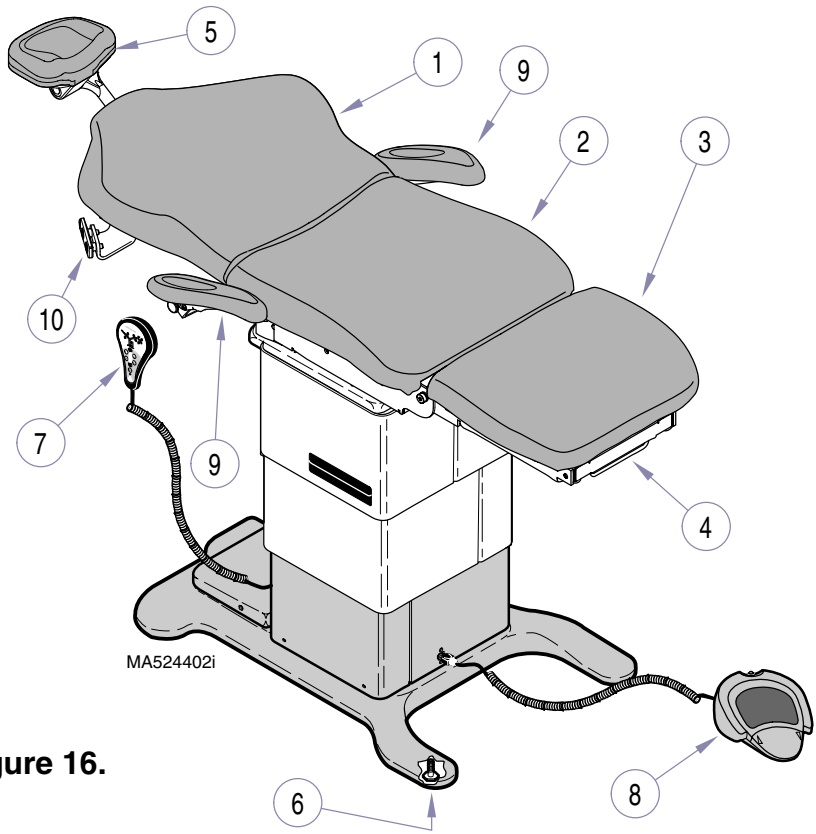


Figure 16.

DESCRIPTION OF COMPONENTS

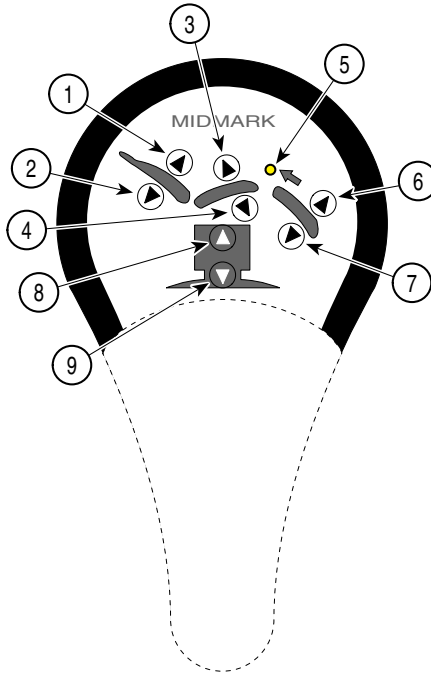
1. Back Section (adjustable angle)	6. Leveling Feet
2. Seat Section (adjustable tilt)	7. Hand Control (optional)
3. Foot Section (adjustable angle)	8. Foot Control
4. Foot Rest Extension	9. Armrests
5. Headrest (adjustable)	10. Accessory Rails

Components Overview

CONTROLS & INDICATORS (Standard Functions)

Figures 17 & 18 show the controls & indicators for standard functions. The chart on the accompanying pages describes each function. [*Controls & indicators for programmable functions (optional) are described later in this section.*]

Hand Control (Optional)



Controls & Indicators

Foot Control

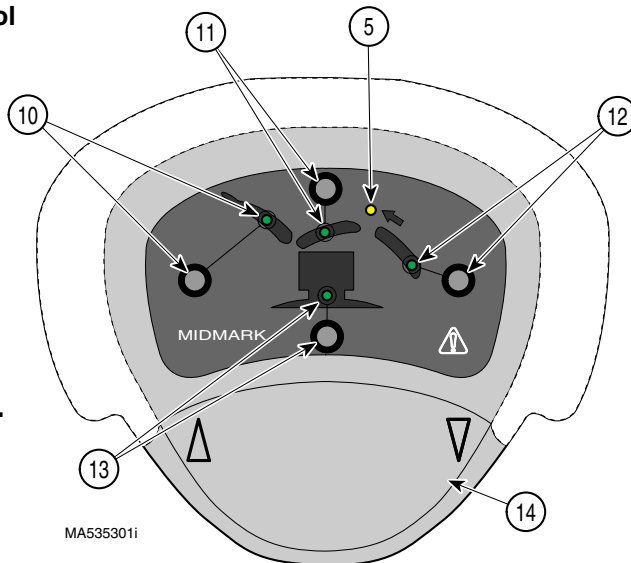


Figure 17.

MA535301i

Ref.	Control	Function
1	<i>Back Up button</i>	<i>raises back section</i>
2	<i>Back Down button</i>	<i>lowers back section</i>
3	<i>Tilt Up button</i>	<i>raises front of seat section, tilting entire table top</i>
4	<i>Tilt Down button</i>	<i>lowers front of seat section, tilting entire table top.</i>
5	<i>Foot Rest Extension lamp</i>	<i>illuminates when Table / Foot /Tilt Down, or Home button(s) are pressed while foot rest extension is extended. NOTE: a programmed position, with any of the movements listed above will cause lamp to illuminate when foot rest extension is extended.</i>
6	<i>Foot Up button</i>	<i>raises foot section</i>
7	<i>Foot Down button</i>	<i>lowers foot section</i>
8	<i>Table Up button</i>	<i>raises table top</i>
9	<i>Table Down button</i>	<i>lowers table top</i>
10	<i>Back Function Selector button & lamp</i>	<i>when depressed, the Back function is activated; the up / down foot pedal will position the back section. The lamp illuminates to indicate the Back function is activated.</i>
11	<i>Tilt Function Selector button & lamp</i>	<i>when depressed, the Tilt function is activated; the up / down foot pedal will position the tilt section. The lamp illuminates to indicate the Tilt function is activated.</i>
12	<i>Foot Function Selector button & lamp</i>	<i>when depressed, the Foot function is activated; the up / down foot pedal will position the foot section. The lamp illuminates to indicate the Foot function is activated.</i>
13	<i>Table Function Selector button & lamp</i>	<i>when depressed, the Table function is activated; the up / down foot pedal will position the table top. The lamp illuminates to indicate the Table function is activated.</i>
14	<i>Up / Down Foot pedal</i>	<i>when the foot pedal is tilted to the left, the active function raises. When the foot pedal is tilted to the right, the active function lowers. Also used to initiate the "Home" function after it has been activated.</i>

Controls & Indicators

Ref.	Control	Function
15	<i>Arm Rest Knob</i>	<i>Secures the arm rest to the back section. Unscrewing the knob allows the arm rest to be removed from the table.</i>
16	<i>Arm Rest Stop Pin</i>	<i>used to position arm rest in normal or stowed position. Pulling on stop pin releases arm rest for positioning. Stop pin automatically returns to locked position when arm rest is moved into the normal or stowed positions.</i>
17	<i>Foot Rest Extension Release handle</i>	<i>used to release foot rest extension so it may be extended to desired position.</i>
18	<i>Headlock Handle</i>	<i>used to unlock the headrest assembly so it may be positioned, then relocked in the desired position.</i>

Controls & Indicators

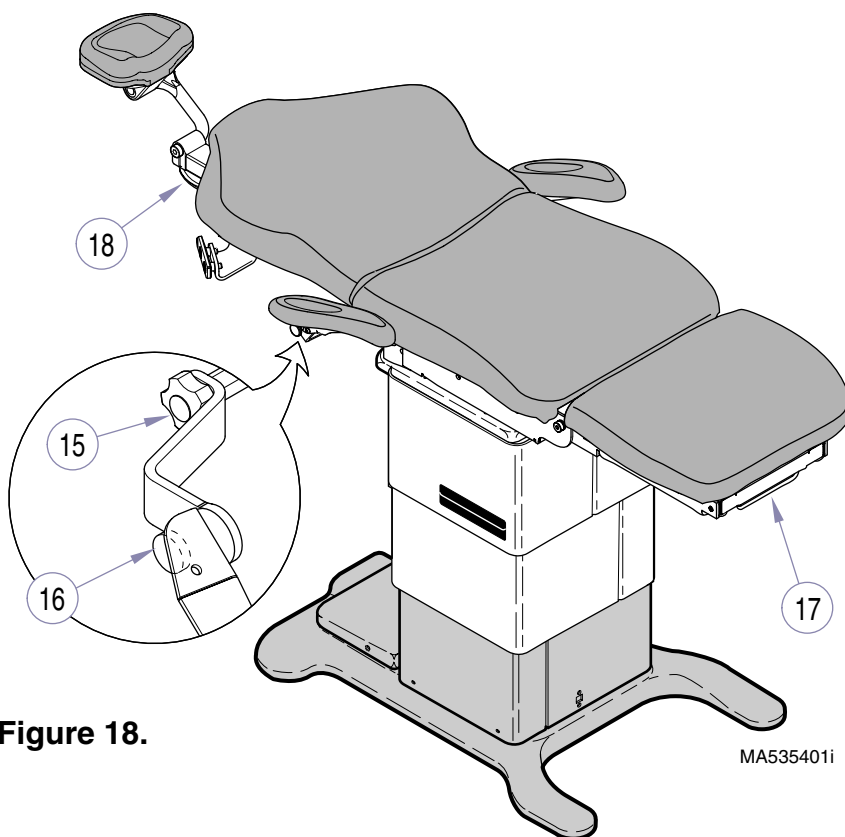


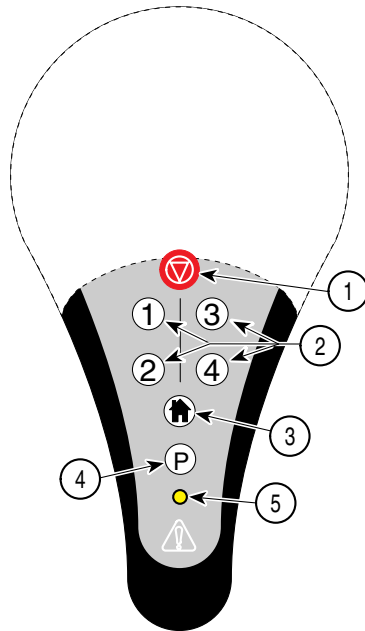
Figure 18.

MA535401i

CONTROLS & INDICATORS *(Programmable Functions - optional)*

Figure 19 shows the controls & indicators for programmable functions (optional). The chart on the accompanying page describes each function. [Controls & indicators for standard functions are described earlier in this section].

Hand Control (optional)



Foot Control

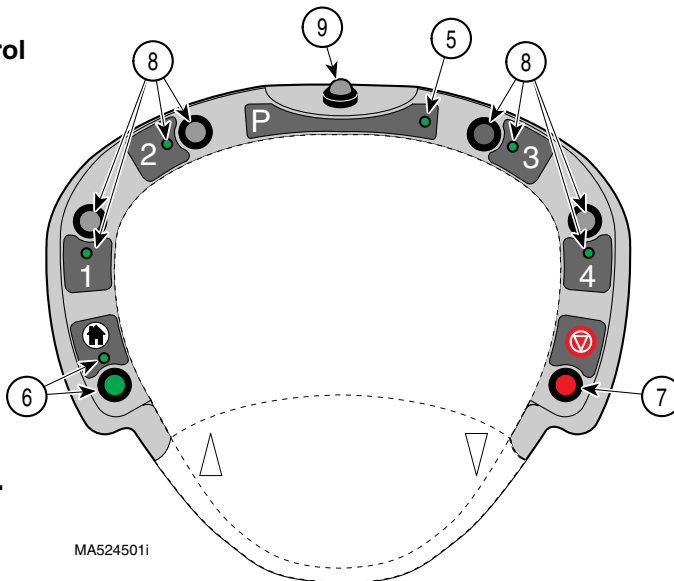


Figure 19.

MA524501i

Controls &
Indicators

Ref.	Control	Function
1	Stop button	when pressed, the Home Position mode or Program mode is interrupted and stopped. All functions are deactivated.
2	Programmed Position buttons (1, 2, 3, and 4)	when pressed, the table top automatically moves into the position which has been stored into memory for that particular button (movement continues only as long as the button is depressed).
3	Home Position button	when pressed, the table top automatically lowers to its lowest height for patient dismount.
4	Program button	when pressed, the program mode is activated. Pressing a programmed position (1, 2, 3, or 4) button now will store the table top's present position in that button's memory.
5	Program Mode indicator lamp	illuminates to indicate that the Program Mode is activated (stays illuminated for five seconds after Program button is pressed).
6	Home Function Selector button & indicator lamp	when depressed, the Home function is activated; depressing the up / down foot pedal to the right will cause the "Home" function to begin. The indicator lamp illuminates to indicate the Home function is activated.
7	Stop button	when depressed, the Home mode or the Program mode is interrupted and stopped and all manual functions are temporarily disabled.
8	Programmed Position buttons (1, 2, 3, and 4) & indicator lamp	when depressed, the Programmed Position function is activated for that button and its indicator lamp illuminates to indicate that the function is activated. Depressing the up / down foot pedal now will cause the table top to automatically move into the position which has been stored into memory for that particular button (movement continues only as long as the foot pedal is depressed).
9	Program button	when depressed, the Program mode is activated. Pressing a Programmed Position (1, 2, 3, or 4) button now will store the table top's present position in that button's memory.

CALLING FOR SERVICE

Questions, comments, and service inquiries should be directed to your Midmark Authorized Dealer [refer to inside front cover of this manual]. Model and serial number information will be required when calling for service. If your dealer cannot resolve your problem, contact Midmark directly:

1-800-Midmark (1-800-643-6275) or 937-526-3662
8:00 a.m until 6:00 p.m. Monday through Thursday &
8:00 a.m until 5:00 p.m. Friday (Eastern Standard Time in the U.S.)
[excluding standard U.S. holidays]

SPECIFICATIONS

Patient Weight (Maximum) 325 lbs (147.4 kgs) maximum
Weight of Table 515 lbs (233.6 kgs)
Back Section Range 0° (horizontal) to +85° ± 5°
Table Top Height Range 22.4 ± 0.5 in. to 40.4 ± 1.0 in.
(56.9 ± 1.3 cm to 102.6 ± 2.5 cm)
Foot Section Range 0° (horizontal) to -90° ± 5°
Table Top Tilt Range 0° (horizontal) to +30° ± 5° (foot end of table up)

Dimensions:

Upholstered top:

w/o headrest extended 23.0 in. wide x 65.0 in. long
(w/back down & foot up) (54.4 cm x 165.1 cm)
with headrest extended adds 15.0 in. (38.1 cm)

Footrest Extension (adjustable)..... adds 0.0 in. to 8.0 in (0 cm to 20.3 cm)

Power Cord 8 ft., 2 in. (248.9 cm) long. A black jacketed molded cord to fit IEC appliance inlet with destination specific attachment plug.

Electrical Rating:

419(-003 & -004) 115 VAC ±10%, 11 amps, 50/60 HZ
419(-005 & -006) 230 VAC ±10%, 5.5 amps, 50/60 HZ

Fuse Replacement (near power cord inlet):

419 (-003 & -004) 12A, 250V, Time Lag
419 (-005 & -006) 8A, 250V, Slo-Blo

Duty Cycle Intermittent Operation
[15 seconds on / 5 minutes off (motor run time)]

Calling For Service

Specifications

Classifications Class 1, Type B Applied Part, Ordinary Equipment, Intermittent Operation

Certifications:

Midmark Corporation..... ISO 9001 Certified

419 (-003 & -004) comply to..... UL2601-1, CAN/CSA 22.2, #601.1-M90

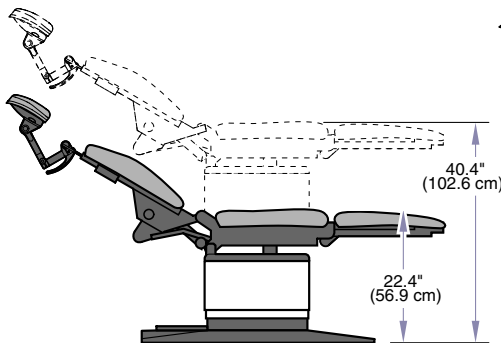
419 (-003, -004, -005, & -006)

comply to MDD 93/42/EEC, Annex VII

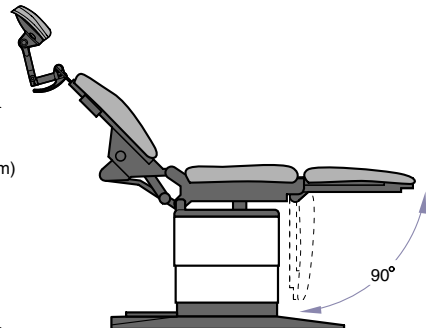
EN60601-1, EN60601-1-2, EN60601-1-4

Equipment not suitable for use in the presence of a flammable anesthetic mixture with air, oxygen, or nitrous oxide.

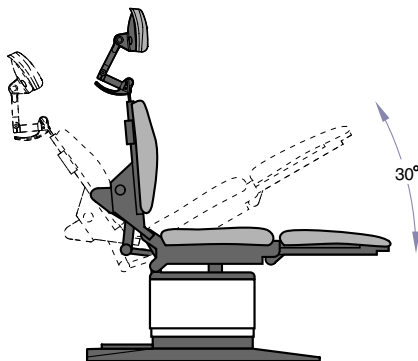
RANGE OF MOTION



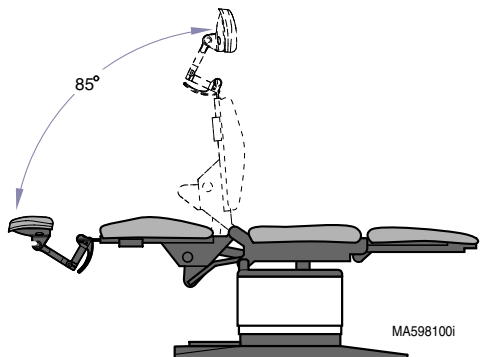
Base Function



Foot Function



Back Function



Tilt Function

MA598100i

Range Of Motion

LIMITED WARRANTY

SCOPE OF WARRANTY

Midmark Corporation (“Midmark”) warrants to the original purchaser its new Alternate Care products and components (except for components not warranted under “Exclusions”) manufactured by Midmark to be free from defects in material and workmanship under normal use and service. Midmark’s obligation under this warranty is limited to the repair or replacement, at Midmark’s option, of the parts or the products the defects of which are reported to Midmark within the applicable warranty period and which, upon examination by Midmark, prove to be defective.

APPLICABLE WARRANTY PERIOD

The applicable warranty period, measured from the date of delivery to the original user, shall be one (1) year for all warranted products and components.

EXCLUSIONS

This warranty does not cover and Midmark shall not be liable for the following: (1) repairs and replacements because of misuse, abuse, negligence, alteration, accident, freight damage, or tampering; (2) products which are not installed, used, and properly cleaned as required in the Midmark “Installation” and or “Installation / Operation Manual for this applicable product. (3) products considered to be of a consumable nature; (4) accessories or parts not manufactured by Midmark; (5) charges by anyone for adjustments, repairs, replacement parts, installation, or other work performed upon or in connection with such products which is not expressly authorized in writing in advance by Midmark.

EXCLUSIVE REMEDY

Midmark’s only obligation under this warranty is the repair or replacement of defective parts. Midmark shall not be liable for any direct, special, indirect, incidental, exemplary, or consequential damages or delay, including, but not limited to, damages for loss of profits or loss of use.

NO AUTHORIZATION

No person or firm is authorized to create for Midmark any other obligation or liability in connection with the products.

THIS WARRANTY IS MIDMARK’S ONLY WARRANTY AND IS IN LIEU OF ALL OTHER WARRANTIES, EXPRESS OR IMPLIED. MIDMARK MAKES NO IMPLIED WARRANTIES OF ANY KIND INCLUDING ANY WARRANTIES OF MERCHANTABILITY OR FITNESS FOR ANY PARTICULAR PURPOSE. THIS WARRANTY IS LIMITED TO THE REPAIR OR REPLACEMENT OF DEFECTIVE PARTS.

SF-1487 REV. A1

Limited
Warranty

DECLARATION OF CONFORMITY



MIDMARK CORPORATION

Midmark Corporation declares that Model 419 (-003, -004, -005, -006) conform to the applicable requirements of the Medical Device Directive 93/42/EEC, Annex VII.

Model 419-003 - Serial Numbers: LM001000 to present.

Model 419-004 - Serial Numbers: LN001000 to present.

Model 419-005 - Serial Numbers: LP001000 to present.

Model 419-006 - Serial Numbers: LR001000 to present.

Authorized Representative

Promotal
22, Rue De St. Denis
53500 Ernee
France

Quality Assurance Manager

Gene Harshbarger
Midmark Corporation
60 Vista Drive, P O Box 286
Versailles, Ohio 45380 U.S.A.

077-0208-00 (Rev. B)

MIDMARK®

Midmark Corporation, Versailles, Ohio 45380 U.S.A.
937-526-3662

FAX: 937-526-5542