

User Manual

527, 527W, & 526 Chairs



527 CHAIR



526 CHAIR



527W CHAIR



Strength in patient care.™

U.S. & Canada (888) 520-4998
International (801) 875-4998
www.mti.net

APPLICABLE MODEL(S).....	IV
REVISION HISTORY TABLE.....	IV
GENERAL INFORMATION.....	1
Purpose of this Manual.....	1
Intended Use.....	1
Symbols and Warnings.....	2
Symboles et Avertissements.....	2
Safety Instructions.....	3
Electromagnetic Interference.....	4
Electrical Requirements.....	4
Contraindications.....	5
Transportation and Storage Conditions.....	5
Disposal of Equipment.....	5
EQUIPMENT FEATURES.....	6
INSTALLATION.....	7
Required Tools.....	7
Explanation of Instructions.....	7
Unpacking & Set-up.....	8
OPERATION.....	9
Operating Conditions.....	9
Controls.....	10
Footrest Extension.....	11
Debris Tray Extension.....	11
Slide Back Floating Arms.....	11
Electrical Lockout.....	12
Mobile Base Operation.....	12
Swivel Base Operation.....	13
LIST OF ACCESSORIES.....	14
MAINTENANCE.....	16
Cleaning and Disinfection.....	17
Preventative Maintenance.....	17
Fuse Replacement Instructions.....	17
Calls for Service.....	18
LIMITED WARRANTY.....	18
TROUBLESHOOTING GUIDE.....	19
SPECIFICATIONS.....	21
NOTES.....	22

APPLICABLE MODEL(S)

This manual is for the following part numbers and revisions:

PART NUMBER	DESCRIPTION	EFFECTIVE S/N
5270001	527 Exam/Procedure Chair, 115V	101130007 - Current
5270002	527 Exam/Procedure Chair, 230V	110202001 - Current
5270003	526 Exam/Procedure Chair, 115V	101104025 - Current
5270004	526 Exam/Procedure Chair, 230V	All-Current
5270005	527W Bariatric Exam/Procedure Chair, 115V	100917002 - Current
5270006	527W Bariatric Exam/Procedure Chair, 230V	110713005 - Current

REVISION HISTORY TABLE

DATE	REVISION	CO#/ECO#	DETAILS
01/23/2015	B	CO-0069	Updating manual to latest revision of chair & new manual format.

User Manual

MTI 527, 527W, & 526 Chair

GENERAL INFORMATION

Purpose of this Manual

This manual covers the safety, installation, instructions for use, and maintenance of this equipment. It is intended that it be used by the service professional installing the equipment and by the medical professionals who have been trained to use it. No repair information is included with this manual, because no operator repairs are intended.

Intended Use

This equipment is intended to be used as a chair/table for general examinations and procedures performed by medical professionals.

PRODUCT INFORMATION

Date of Purchase: _____

Model Number: _____

Serial Number: _____

(see "EQUIPMENT FEATURES" on page 6 for location of serial number label)

Symbols and Warnings

This manual contains Notices, Cautions, and Warnings, which are meant to call attention to particular parts or sections of this manual. Since safety is our first concern, this manual should be read by all personnel who will be operating this medical equipment. Failure to comply with the following warnings and cautions will void the warranty.

Symboles et Avertissements

Ce manuel contient des avis, des précautions et des avertissements qui sont destinés à attirer l'attention sur des pièces ou des sections de ce manuel particulier. Parce que la sécurité est notre première préoccupation, ce manuel doit être lu par tout le personnel qui sera d'utiliser cet équipement médical. Défaut de se conformer avec les avertissements et les précautions de ce guide d'instruction annulera la garantie.

WARNINGS/AVERTISSEMENTS

Are used to call attention to a condition, practice, or procedure which could cause personal injury if not followed correctly. Please become familiar with all warnings and observe them at all times.

Sont utilisés pour attirer l'attention sur une condition, pratique ou procédure qui pourrait causer des blessures s'il n'est pas suivi correctement. S'il vous plaît se familiariser avec tous les avertissements et les observer à tout moment.

CAUTIONS/PRECAUTIONS






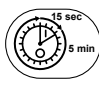








Are used to call attention to a condition, practice, or procedure which could cause product damage if not used correctly.












Sont utilisés pour attirer l'attention sur une condition, pratique ou procédure qui pourrait causer des dommages au produit s'il n'est pas utilisé correctement.

NOTICES/AVIS

Are used to call attention to helpful information regarding a condition, practice, or procedure.

Sont utilisés pour attirer l'attention sur des informations utiles concernant une condition, pratique ou de procédure.

	Class 1, Type B, Medical Equipment
	Proper shipping orientation for the product Orientation d'embarquement correct pour le produit
	Product is fragile; be careful in handling Le produit est fragile. Soyez prudent lors de la manipulation
	Protective earth ground Terre électrique de protection
	Alternating current Le courant alternatif
	Unit duty cycle of 10% Example: (1) minute on (9) minutes off. Unité rapport cyclique du 10%
	Product must be kept dry Le produit doit rester sèche
	Upper and lower limits of temperature Limites haute et basse de la température
	Maximum stacking height of palletized units. Hauteur maximale de la pile d'unités sur palettes.
	Indicates the presence of a dangerous voltage/shock hazard Indique le présence de voltage dangereux/ de choc
	Follow instructions for use Suivez les instructions pour l'utilisation
	Consult operating instructions Consultez les instructions d'utilisation
	Manufacturer of product Fabricant de produits
	Date on which the product was manufactured Date de fabrication

 SN	Identifies the manufacturer's serial number Identifie le numéro de série du fabricant
	Upper and lower limits of relative humidity Limites haute et basse de humidité relative.
	Upper and lower limits of atmospheric pressure Limites haute et basse de la pression atmosphérique
	Location of fuses Emplacement de fusibles
	(WEEE) Waste of Electrical and Electronic Equipment Déchets d'équipements électriques et électroniques
	ETL listing mark Marque ETL Listé
	UL listing mark Marque UL Listé
	European Conformity mark Marque Conformité Européenne
	Connection point for the neutral conductor Point de connexion pour le conducteur neutre
	Live conductor Conducteur sous tension
	Hospital Grade (green dot) De qualité hôpital (point vert)

Safety Instructions

WARNING/AVERTISSEMENT

Read this manual before installation and use.

Lisez ce manuel avant l'installation et l'utilisation.

WARNING/AVERTISSEMENT

No modification of this equipment is allowed.

Aucune modification de cet équipement est autorisée.

WARNING/AVERTISSEMENT

Do not operate equipment in the presence of flammable anesthetics.

Ne pas faire fonctionner l'équipement en présence d'anesthésiques inflammables.

WARNING/AVERTISSEMENT

When the equipment is in motion from a programmable position or auto return, injury may occur if the equipment is not attended to until it comes to a complete stop.

Lorsque l'équipement est en mouvement à cause d'une position programmable or retour automatique, blessure peut se produire si l'équipement n'est pas regardé jusqu'à ce qu'il arrive à un arrêt complet.

WARNING/AVERTISSEMENT

Verify equipment, patient, and other objects are in a safe condition before operating the equipment.

Vérifiez l'équipement, patient, et d'autres objets sont dans un état sûr avant d'utiliser l'équipement.

WARNING/AVERTISSEMENT

Verify controls, cords, and other parts of the equipment do not create a tripping or other safety hazard for operator or patient.

Vérifiez les contrôles, les cordons et les autres parties de l'équipement ne créent pas un risque de trébuchement ou d'autres risques d'accident pour l'opérateur ou le patient.

WARNING/AVERTISSEMENT

Lockout switch should be turned to the off position to prevent unintended movement during use of the equipment.

Interrupteur de verrouillage doit être tourné à la

position d'arrêt pour empêcher tout mouvement involontaire pendant l'utilisation de l'équipement.

WARNING/AVERTISSEMENT

Backrest, seatrest, footrest, armrest, headrest, and other parts of the equipment should only be used for their intended purpose. MTI is not responsible for use of components outside of their intended use.

Le repose-dos, reste de siège, repose pieds, accoudoirs, appuie-tête et d'autres parties de l'équipement ne doivent être utilisés conformément à leur utilisation prévue. MTI n'est pas responsable de l'utilisation des composants au dehors de leur utilisation prévue.

WARNING/AVERTISSEMENT

This product contains chemicals known to the State of California to cause cancer and/or birth defects or other reproductive harm. See <http://www.mti.net/FAQs.aspx> for details on California Proposition 65.

Ce produit contient des produits chimiques reconnus par l'État de Californie pour causer le cancer et / ou des anomalies congénitales ou d'autres problèmes de reproduction. Voir <http://www.mti.net/FAQs.aspx> pour plus de détails sur la California Proposition 65.

Electromagnetic Interference

This equipment is designed and built to minimize electromagnetic interference with other devices. However, if interference is noticed between another device and this equipment, do one or more of the following:

1. Plug the equipment into an isolated circuit.
2. Remove the interfering device from the room.
3. Increase the separation between the equipment and the interfering device.
4. Contact MTI if the electromagnetic interference persists.

Electrical Requirements

WARNING/AVERTISSEMENT

To avoid risk of electrical shock, this equipment must be connected to a supply mains with protective earth.

Pour éviter tout risque de choc électrique, cet équipement doit être branché sur une prise électrique

avec la terre électrique de protection.

WARNING/AVERTISSEMENT

Grounding reliability can only be achieved when the equipment is connected to an equivalent receptacle marked "Hospital Only" or "Hospital Grade".

Mise à la terre fiabilité ne peut être atteinte lorsque l'équipement est connecté à un réceptacle équivalent marqué "Hôpital Uniquement" ou "de Qualité Hôpital".

WARNING/AVERTISSEMENT

When using endocardial catheters or high frequency surgical/procedure devices, use non-conductive material to insulate the patient from metal portions of the equipment. Failure to comply may result in electric shock or burns to patient.

Lors de l'utilisation de cathéters endocavitaires ou dispositifs chirurgicale / procédure haute fréquence, utiliser un matériau non conducteur pour isoler le patient des parties métalliques de l'équipement. Le non-respect peut entraîner un choc électrique ou de brûlures pour le patient.

WARNING/AVERTISSEMENT

Connecting electrical equipment to a multiple socket-outlet effectively leads to creating a medical electronic system and can result in a reduced level of safety.

Connexion d'un équipement électrique à une prise de courant multiple crée un système électronique médicale, et peut entraîner une baisse du niveau de sécurité.

WARNING/AVERTISSEMENT

Equipment must be positioned in normal use such that the power cords can be easily accessed to unplug.

L'équipement doit être positionné en utilisation normale telle que les cordons d'alimentation peuvent être facilement accessibles à débrancher.

WARNING/AVERTISSEMENT

Equipment must be connected to an appropriate power source when loss of power source would result in an unacceptable risk.

L'équipement doivent être relié à une source d'alimentation appropriée en cas de perte de la source d'alimentation entraînerait un risque inacceptable.

⚠ WARNING/AVERTISSEMENT

Do not use a two-three plug adapter to plug the equipment into a two conductor outlet, as grounding reliability is not maintained.

Ne pas utiliser un adaptateur non de prise de terre pour brancher l'équipement sur une prise à deux conducteurs, la fiabilité de la terre n'est pas maintenue.

⚠ WARNING/AVERTISSEMENT

Do not plug this equipment into a low power or auxiliary outlet. This equipment must be connected to a 115 Volt (V) outlet. If this equipment is connected to an insufficient power source, it will cause irreparable damage to this device's electronics.

Ne branchez pas cet équipement sur une prise de faible puissance ou une prise auxiliaire. Cet équipement doit être branché sur une prise de 115 Volt (V). Si cet équipement est connecté à une source d'alimentation insuffisante, il causera des dommages irréparables à l'électronique de cet appareil.

⚠ CAUTION/PRÉCAUTION

An appropriately rated surge protector must be used to protect the printed circuit board. Warranty is void if this surge protector is not used.

Un protecteur de surtension correctement classé doit être utilisé pour protéger la carte de circuit imprimé. La garantie est nulle si, ce protecteur de surtension n'est pas utilisé.

⚠ NOTICE/AVIS




Removing the power supply cord at the equipment input or wall receptacle will simultaneously isolate both poles of the power supply.

Retrait du cordon d'alimentation à l'équipement ou à la prise murale se isoler simultanément les deux pôles de l'alimentation.

Contraindications

None.

Transportation and Storage Conditions

	Ambient Temperature	+10°C to +40°C (+50°F to +104°F)
	Relative Humidity	30% to 75% (non-condensing)
	Atmospheric Pressure	700hPa to 1060hPa (0.69atm to 1.05atm)

Disposal of Equipment

At the end of product life, the equipment, accessories, and other consumable goods may have become contaminated due to normal medical use. Consult local codes and ordinances for proper disposal of equipment, accessories and other consumable goods.

EQUIPMENT FEATURES

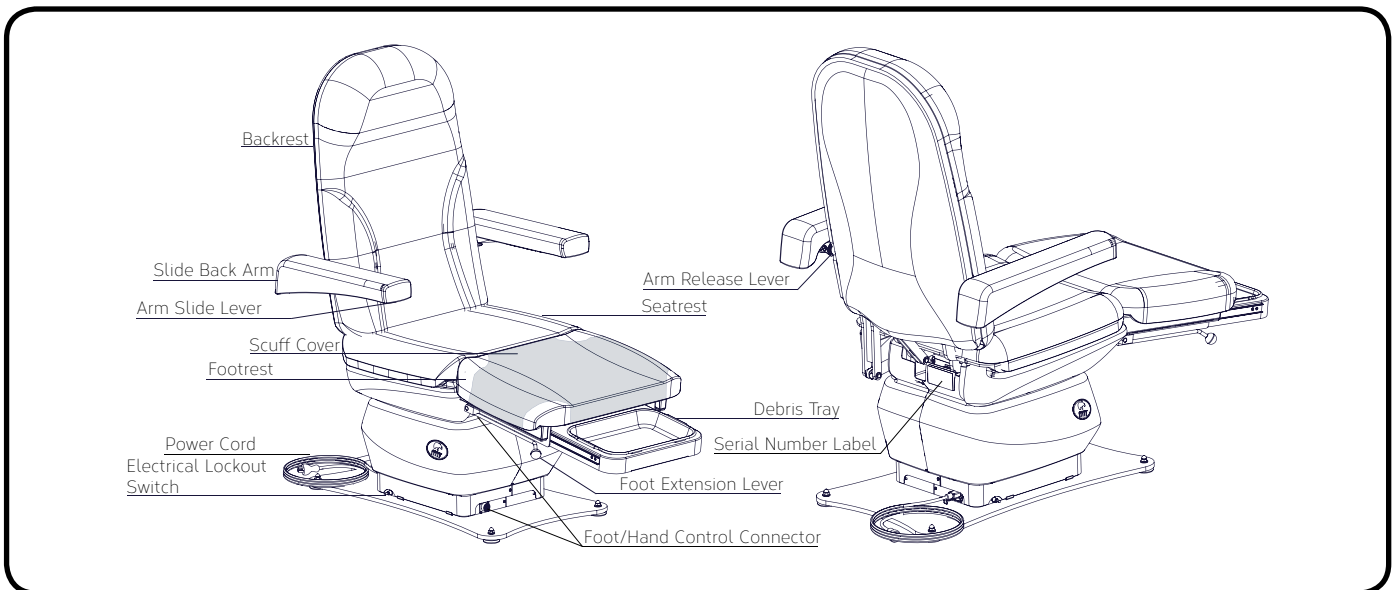
Description of 527P, 527S, 526, 527WP, & 527WS Model Chairs

527P/S - A Tri-Power Exam Chair including power lift, back, and tilt with a 650 lb (295 kg) lift capacity with extendable footrest. The chair is 24" (61.0 cm) wide with a 19" (48.3 cm) minimum height. The chair is used for positioning a patient for exams and procedures. The 527P stores user programmed positions.

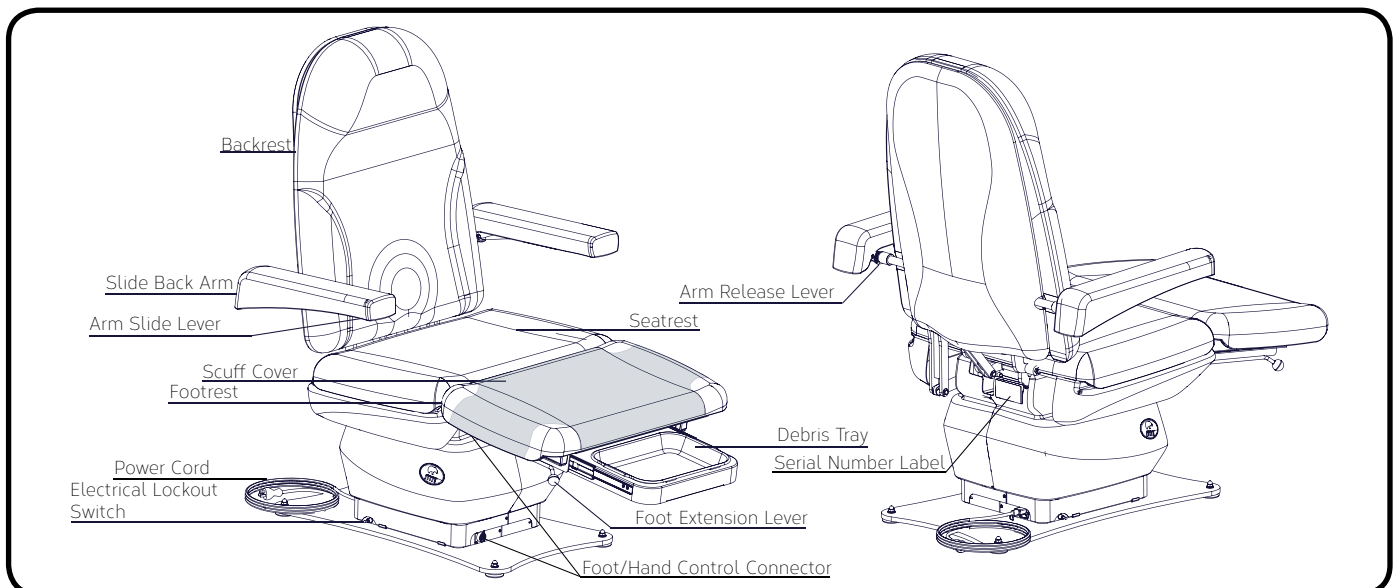
526 - A Dual-Power Exam Chair including power back and tilt functions supporting a 650 lb (295 kg) patient with extendable footrest. The chair is 24" (61.0 cm) wide with a 19" (48.3 cm) height. The chair is used for positioning a patient for exams and procedures.

527WP/WS - A Tri-Power Exam Chair including power lift, back, and tilt with an 800 lb (363 kg) lift capacity with extendable footrest. The chair is 30" (76.2 cm) wide with a 19" (48.3 cm) minimum height. The chair is used for positioning a bariatric patient for exams and procedures. The 527WP stores user programmed positions.

527/526 CHAIR



527W CHAIR



INSTALLATION

WARNING/AVERTISSEMENT

This equipment is heavy. Get help to remove it from the shipping pallet. Use proper lifting procedures when lifting to avoid serious back injury.

Cet équipement est lourd. Obtenir de l'aide pour le retirer de la palette d'expédition. Utilisez les procédures propre de levage pour le soulever pour éviter grave blessure au dos.

WARNING/AVERTISSEMENT

After equipment is installed, verify that the programmable positions are in safe and known positions.

Après l'équipement est installé, vérifier que les positions programmables sont dans des positions sûres et connues.

CAUTION/PRÉCAUTION

To move equipment, lift only from the equipment's main structure.

Pour déplacer l'équipement, soulevez seulement de la structure principale de l'équipement.

NOTICE/AVIS

If this product has been exposed to low temperatures, allow adequate time for it to warm to room temperature before putting it into service.







Si ce produit a été exposé à de basses températures, laisser suffisamment de temps pour lui permettre de se réchauffer à température ambiante avant de le mettre en service.

NOTICE/AVIS

Inspect the shipping boxes for visible damage. Record on bill of lading, photograph, and report any damage to the carrier immediately. Request an inspection by the carrier if any concealed damage is noted.

Inspectez les boîtes d'expédition pour les dommages visibles. Fiche sur le connaissance, prendre une photo, et signalez les dommages dûs au transporteur immédiatement. Demander une inspection par le transporteur en cas de dommage caché est noté.

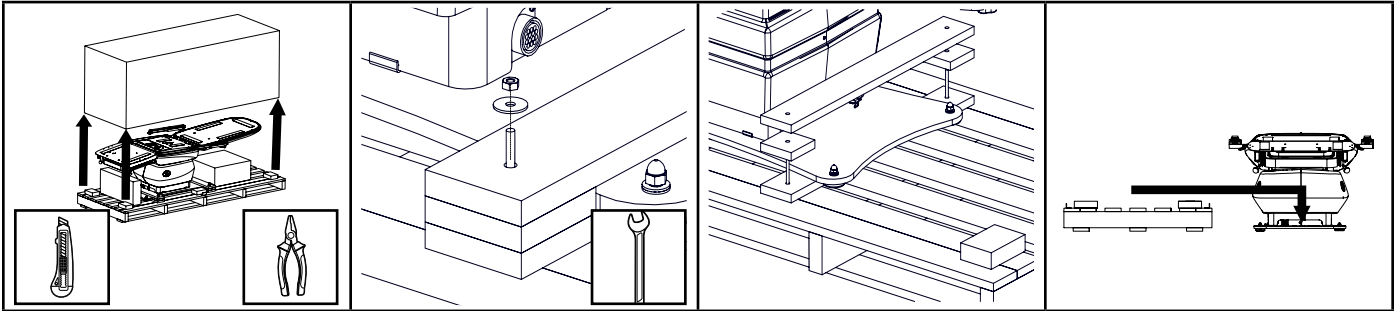
Required Tools

	7/16" Wrench 5/8" Wrench		Wire cutters		Utility Knife		Flat Head Screwdriver
	Phillips Screwdriver (#2)		Swivel Base Only: 9/16" Wrench				

Explanation of Instructions

Instructions have steps which are designated by a number. Each step may also have sub-steps designated by a letter. For example, an instruction to operate a feature may have 4 steps (1-4) and each of those steps may have sub-steps (A-B) to be performed before moving on to the next step.

Unpacking & Set-up

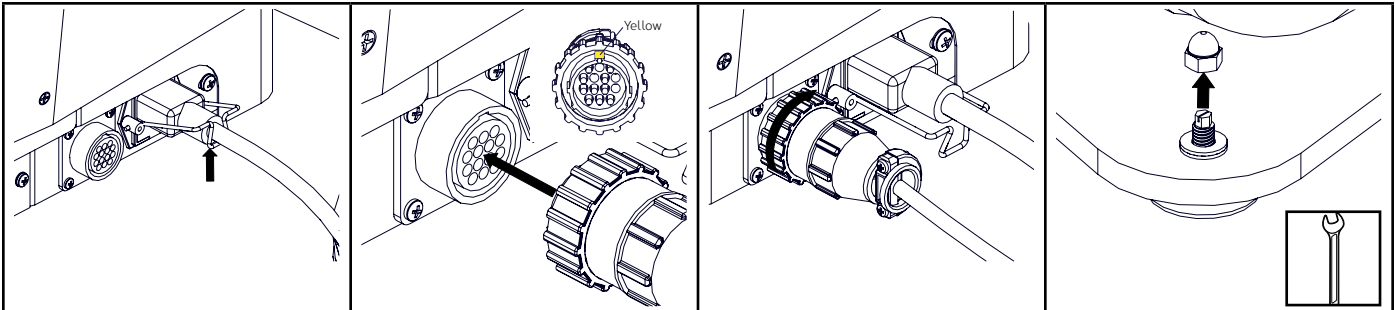


1. Remove shipping straps, shipping box, and other boxes from the pallet.

2. Remove (4) shipping bolts with 7/16" end wrench.

3. Remove braces from the top of baseplate. Braces will vary for swivel/mobile bases.

4. Slide chair off pallet. To move equipment, lift only from the equipment's main structure. Recycle or re-use pallet.

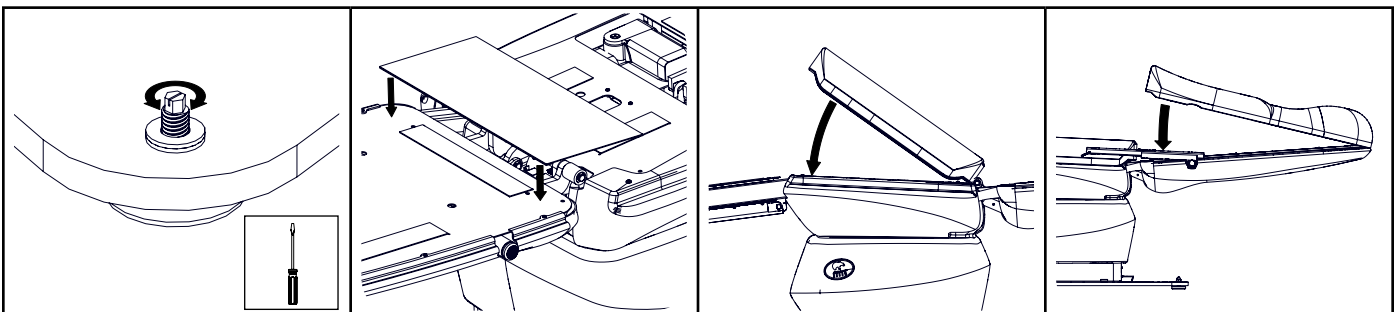


5. Insert power cord at the base of the chair and secure with the clip. Plug the power cord into the provided surge protector. Plug the surge protector into an appropriately marked receptacle.

6. Install control(s) by aligning pins and tabs of the male control plug with chair receptacle by positioning the yellow mark on the plug body to the 12 o'clock position relative to the receptacle.

7. Secure the plug by rotating the locking ring clockwise until it engages. Rotate it until it stops. Steps 8 through 9 do not apply to mobile base chairs.

8. If chair base plate needs to be leveled, remove (4) acorn nuts from the top of the glides with a 5/8" wrench. Otherwise proceed to step 10.

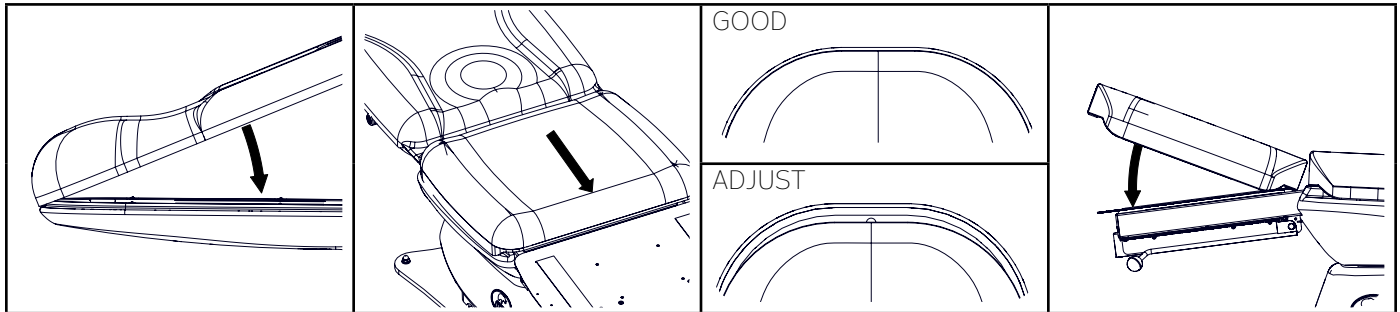


9. Adjust individual glides to level the chair as needed using a screwdriver. Reattach the acorn nuts.

10. (Designer Upholstery Only) Install the upholstery flap between the back and seat cushions, laying the flap over the back hinges and securing the flap to the Velcro® strips on the chair's back section and seat section.

11. (Designer Upholstery Only) Install the seat cushion by placing the cushion against the hinges and then lowering it to the front of the seat. Verify that the cushion is centered.

12. (Designer Upholstery Only) Align the back cushion with the top edge of the back of the chair. Press cushion down. Verify that the cushion is centered.

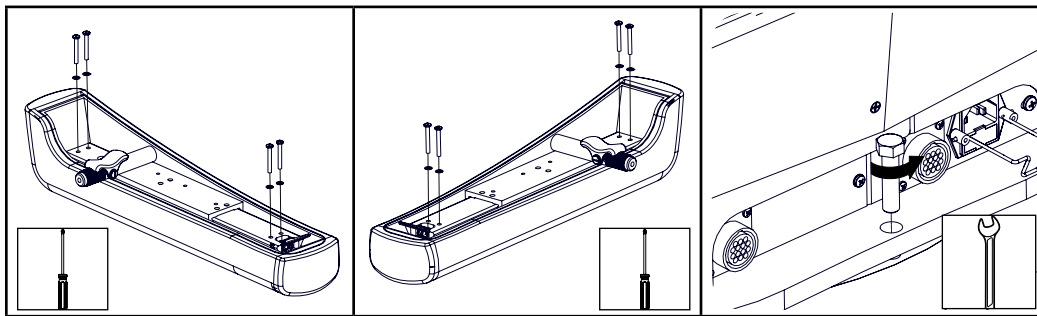


13. (Seamless Upholstery Only) Align the back portion of the back/seat cushion with the top edge of the back of the chair. Press cushion down.

14. (Seamless Upholstery Only) Align the seat portion of the back/seat cushion with the front edge of the seat of the chair. Press cushion towards foot if necessary.

15. Raise the back of the chair and verify alignment of back cushion. Adjust if necessary.

16. With the footrest retracted, push the foot cushion against the seat cushion and lower the foot cushion into place. Verify the cushion is centered.






17. Attach the arm cushion to a slide-back arm with the (4) screws and lock washers provided using a phillips screwdriver.

18. Repeat step 17 for opposite arm.

19. (Swivel base chairs only) Remove swivel bolt with 9/16" wrench. Keep the bolt for use while the chair is not powered.

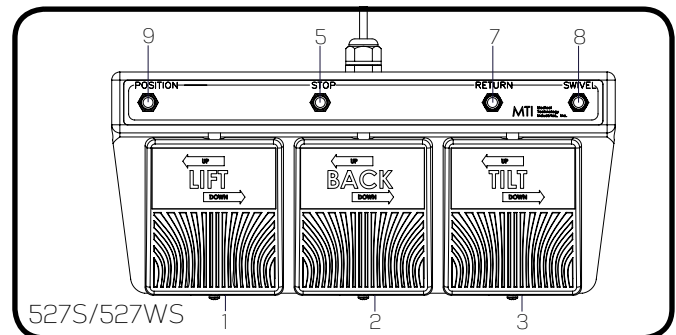
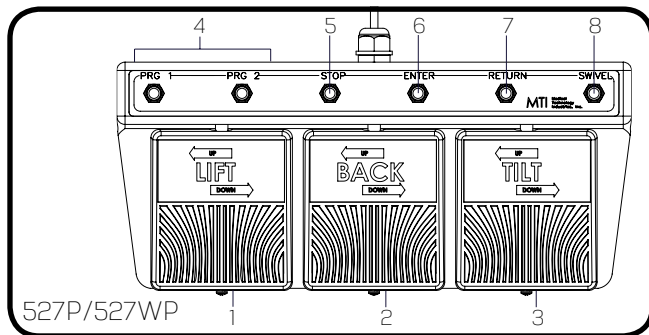
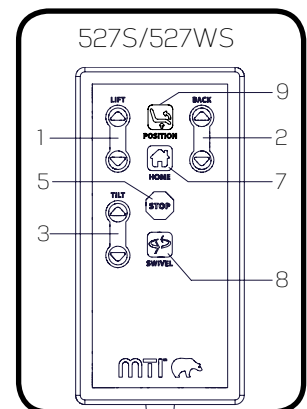
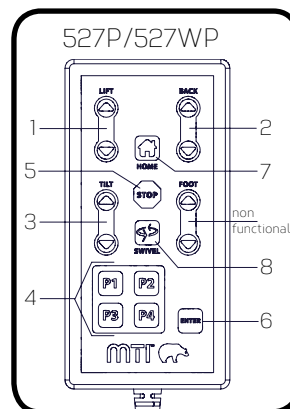
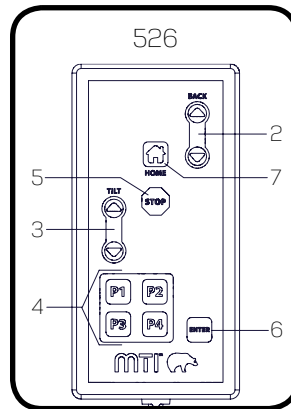
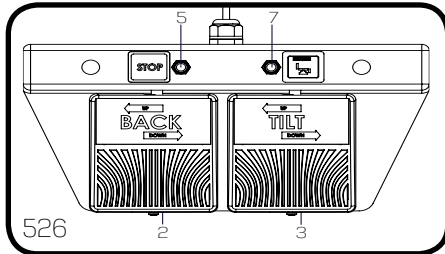
OPERATION

Operating Conditions

	Ambient Temperature	+10°C to +40°C (+50°F to +104°F)
	Relative Humidity	30% to 75% (non-condensing)
	Atmospheric Pressure	700hPa to 1060hPa (0.69atm to 1.05atm)

Controls

Foot Control/Hand Control



ITEM	DESCRIPTION	FUNCTION
1	Lift Pedal/Button	Raises or lowers the chair top by pressing the desired direction
2	Back Pedal/Button	Raises or lowers the backrest by pressing the desired direction
3	Tilt Pedal/Button	Decreases or increases the angle of the seat by pressing the desired direction
4	Program Buttons	Moves the chair to a user programmed position
5	Stop Button	Stops all movement of chair
6	Enter Button	Press this button followed by a program button to save the current position of the chair as a programmed position.
7	Return Button	Returns the chair to the home position (Lift Down, Tilt Down, and Back Up)
8	Swivel Button	Pressing and releasing the swivel button within two seconds will allow the chair to swivel for six seconds or until the swivel or any other button is pressed. Pressing and holding the swivel button for longer than two seconds will allow the chair to swivel until the button is released. See "Swivel Base Operation" on page 13 for more details.
9	Rapid Position Button	Operates the Lift Up and Tilt Up functions simultaneously.

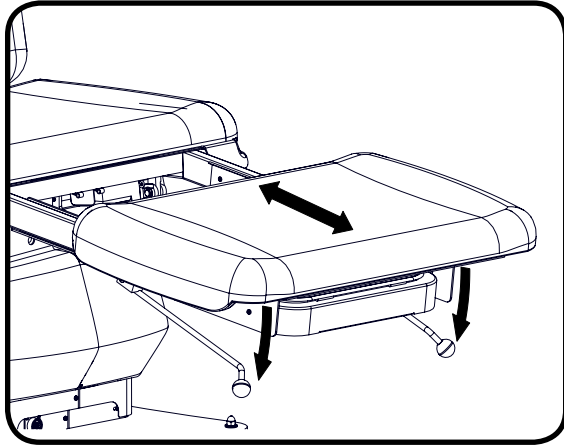
! NOTICE/AVIS

For additional safety, any button will stop all motions except for the same button that was pressed to initiate movement.

Pour plus de sécurité, n'importe quel bouton peut arrêter tous les mouvements à l'exception du bouton même qui a été pressé de commencer le mouvement.

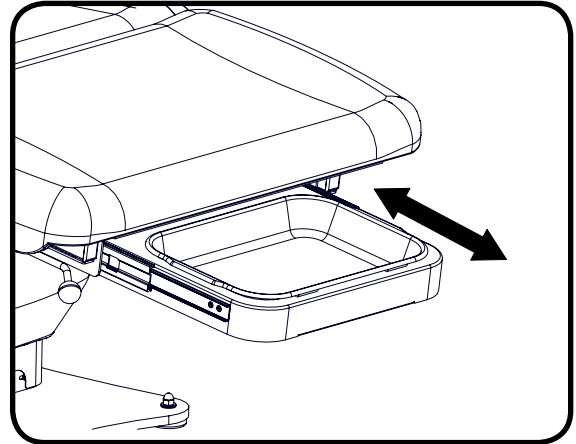
Footrest Extension

To position the footrest, push down on the lever on either side of the footrest, pull/push the footrest out/in to the desired position, release the lever to lock.

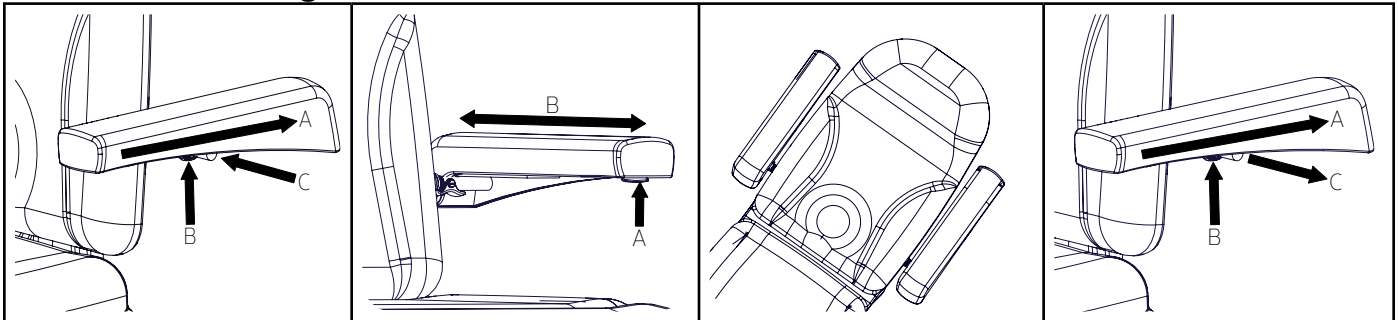


Debris Tray Extension

To position the debris tray, pull/push the debris tray out/in to the desired position.



Slide Back Floating Arms



1. To attach the arm:
 A. Press the lever on the front of the arm and slide the arm backwards.
 B. Press the lever on the spline of the arm.
 C. Insert the male spline into the female spline on the side of the chair.

2. To slide the arm backwards or forwards:
 A. Press the lever on the front of the arm.
 B. Slide the arm.

! The arm will lock in place in the forward and backward positions.
 L'accoudoir se verrouille en place dans des positions avant et arrière.

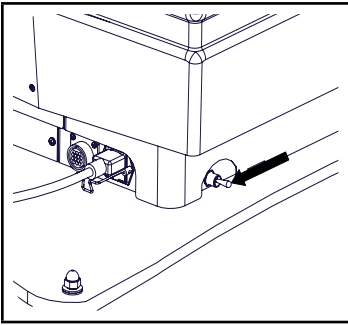
3. For prone patient positions:
 Swap the arms on each side and insert them angled down slightly or parallel to the backrest.

4. To remove the arm:
 A. Slide the arm backward.
 B. Press the lever on the spline arm.
 C. Pull the arm straight out.

! Positioning the arm in the back position will make it easier to attach or remove the arm.
 Positionnement l'accoudoir en position arrière facilitent l'enlever ou remettre l'accoudoir.

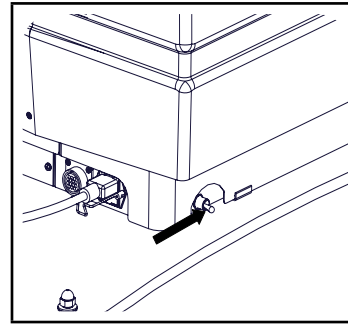
Electrical Lockout

The electrical lockout cuts power to all motors to eliminate possible EMI (electromagnetic interference) and RFI (radio frequency interference). This switch also resets the circuit board.



1. To lock out control of the chair:

A. Switch the toggle switch to the OFF position (pointing toward the backrest of the chair).



2. To enable control of the chair:

A. Switch the toggle switch to the "ON" position (pointing toward the footrest of the chair).

! NOTICE/AVIS

The toggle switch will not lock out non-powered motion such as footrest extension.

L'interrupteur à bascule ne sera pas verrouiller motion de non-motorisé tel que l'extension de repose-pieds.

Mobile Base Operation

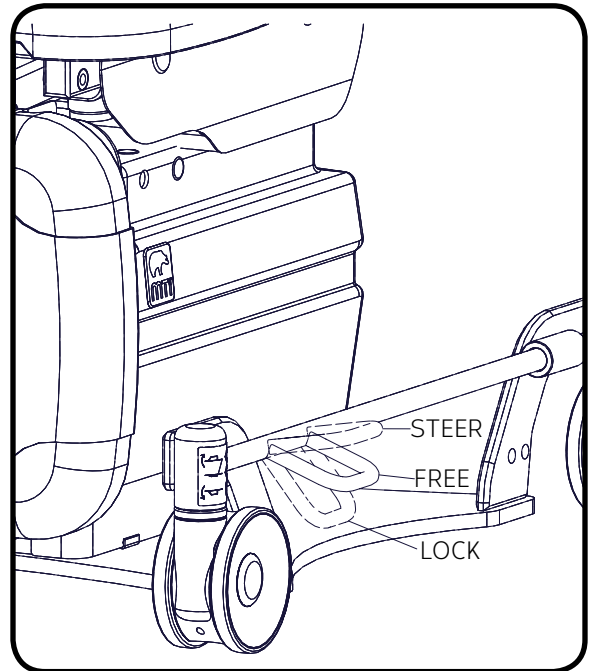
The low boy mobile base is a factory installed option for the 527 and 527W Model chairs.

The two casters on the patient's right side and the rear caster on the patient's left side of the chair are Total Lock Casters. The front caster on the patient's left side is the Steering Caster.

In the FREE or STEER position, the Total Lock Casters will roll and swivel. In the LOCK position, the Total Lock Casters will not roll or swivel.

In the STEER position, the Steering Caster will roll but not swivel. In the FREE position, the Steering Caster will swivel and roll. In the LOCK position, the Steering Caster will not roll or swivel.

There are three modes for the offset locking bars. See image on right.



STEERING MODE: When the left-hand locking bar is in the STEER position and the right-hand locking bar is in the FREE or STEER position; the (3) Total Lock Casters will roll and swivel freely and the (1) Steering Caster will roll but will not swivel. This mode is used for transport as the Steering Caster acts as a steering wheel to aid in easy transport.

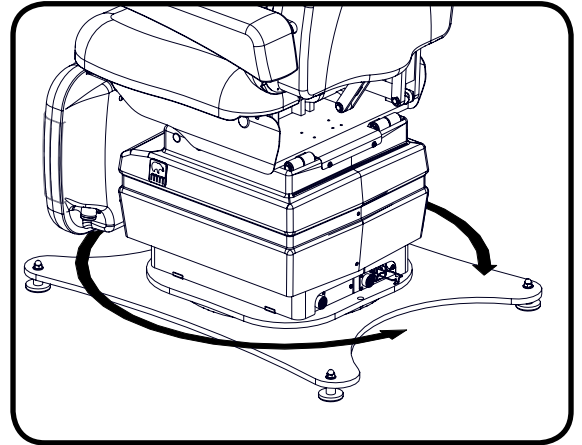
FREE MODE: When both offset locking bars are in the FREE position; all (4) casters will roll and swivel freely. This position is used when you need to pull the chair away from an object in a perpendicular direction or turn the chair with a zero radius.

LOCKED MODE: When both offset locking bars are in the LOCK position; all (4) casters will not roll or swivel. This position is used to prevent unwanted movement of the chair.

Swivel Base Operation

The swivel base is a factory installed option for the 527 and 527W Model chairs. See also "Controls" on page 10 of this manual. Swivel mode is the condition when the swivel lock is unlocked and the chair can swivel freely.

There are two methods to operate the swivel on the 527 and 527W Model chairs. Follow the step(s) below for the desired method.



Method 1: Auto engage mode is a swivel mode which will unlock the swivel for 6 seconds and automatically engage the lock after 6 seconds.

1. Press the swivel button on the control and release it within two seconds.
2. Swivel enters swivel mode for 6 seconds.
3. Swivel the chair to the desired location.
4. After 6 seconds the swivel lock will automatically engage.
 - If the chair is in swivel mode and the swivel button is pressed again, the swivel lock immediately engages.
 - If the chair is in swivel mode and any other command button is pressed, the swivel lock immediately engages.

Method 2: Press and hold mode is a swivel mode where the swivel will unlock as long as you hold down the swivel button on the control. Once you release the swivel button, the swivel lock will engage.

1. Press and hold swivel button on the control for longer than two seconds.
2. The chair enters swivel mode until the swivel button is released.
3. Swivel the chair to the desired location.
4. The chair stays in swivel mode as long as the swivel button is held down and immediately engages swivel lock upon button release.

! NOTICE/AVIS

The swivel will lock if the swivel is unlocked and another button is pressed.

Le pivot se bloque si le pivot est déverrouillé et un autre bouton est pressé.

! NOTICE/AVIS

The swivel will unlock if the chair loses power.

Le pivot va déverrouiller si l'équipement perd son alimentation.

LIST OF ACCESSORIES

DESCRIPTION	USE	RESTRICTIONS
Bed Rails, Swing Up/Down (Floating)	Provides a vertical surface to secure patient.	
Bed Rails, Swing Up/Down (Mounted to Slide Back Floating Arms)	Provides a vertical surface to secure patient.	Requires Slide Back Floating Arms.
Casters with individual locks	Provides field installable casters to make chair mobile.	Not available on swivel base chairs. Not available on 527W chairs.
Caster Base	Provides Field installable casters to make chair mobile.	Not available on swivel base chairs. Not available on 527W chairs.
Corded Hand Control w/Mount	Provides an additional control for the chair and mount for mounting the hand control on the side of the footrest.	
Hand/Forearm Procedure Table (Floating)	Provides an articulating surface for patient's arms.	
IV Rod and Holder	Provides an adjustable IV rod mounted to Base Mounting Rail.	Requires Base Mounting Rail
IV Rod and Holder for 1" Post	Provides an adjustable IV rod.	Requires 1" post accessory.
IV Rod and Holder for 2" Post	Provides an adjustable IV rod.	Requires 2" post accessory. Not available on 527W chairs.
Leg Wrapping Support	Used for wrapping a patient's foot and leg.	
Leveling Glides, 2"	Provides taller leveling glides than standard.	Not available on mobile or swivel base chairs.
Light, Exam Light	Provides lighting during patient procedures.	Requires 1" Post.
Light, MI 500 LED Exam	Provides lighting during patient procedures.	Requires 2" post accessory. Not available on 527W chairs.
Light, Surgery, EXCEL Centurion	Provides lighting during patient procedures.	Requires 2" post accessory. Not available on 527W chairs.
Light, Surgery, MI 1000 LED	Provides lighting during patient procedures.	Requires 2" post accessory. Not available on 527W chairs.
Mayo Tray, 1" Post Mounted	Provides a tray for the placement of small instruments and other items.	
Mayo Tray, 1" Post Mounted with Exam Light Adapter	Provides a tray for the placement of small instruments and other items with a light adapter for an exam light.	
Mobile Caster Base, Low Boy	Changes a standard chair into a mobile base.	Factory installed. Not available with swivel base chairs.

LIST OF ACCESSORIES

DESCRIPTION	USE	RESTRICTIONS
Mobile Caster Cart	Provides a field installable mobile base.	Not available on swivel base chairs. Not available on 527W chairs.
Outlet Kit, Duplex, 115V (RH/LH)	Provides power for 115V accessories.	Left and Right hand versions Not ambidexterous
Paper Roll Holder	Used for mounting a paper roll to the back of the chair for 21" (53.3 cm) paper.	Accommodates 18" (45.7 cm) or 21" (53.3 cm) paper rolls.
Patient Monitor Tray	Mounts a patient monitor for viewing during procedures.	Requires 2" Post. Not available on 527W Chairs
Post, 1"	Provides a post for mounting a 42" Lumerus light.	
Post, 2"	Provides a post for mounting surgery lights and other accessories.	Not available on 527W chairs.
Power Cord with 90 degree plug, 3'	Provides a 3' power cord with a 90 degree plug.	Not available on mobile or swivel base chairs.
Rail, Base Mounting	Provides a rail for mounting an IV pole or accessory bracket.	Cannot be used with other base mounted accessories.
Restraint Strap, Leg	Provides a strap to secure the patient's legs.	
Shoe Tray, Post Mounted	Provides a tray for a patient's shoes.	Requires Post Mounted Tray or Post Mounted Light.
Shoe Tray, Chair Mounted	Provides a tray for a patient's shoes.	Can't be used with Post Mounted Tray or Post Mounted Light.
Visual Block Curtain, Chair Mounted	Provides a shield used to hide procedures from the patient's view.	Can't be used with Post Mounted Tray or Post Mounted Light.
Visual Block Curtain, Post Mounted	Provides a shield used to hide procedures from the patient's view.	Requires Post Mounted Tray or Post Mounted Light.
Visual Block & Shoe Tray, Chair Mounted	Provides a shield used to hide procedures from the patient's view combined with a tray for the patient's shoes.	Can't be used with Post Mounted Tray or Post Mounted Light.
Visual Block & Shoe Tray, Post Mounted	Provides a shield used to hide procedures from the patient's view combined with a tray for the patient's shoes.	Requires Post Mounted Tray or Post Mounted Light.

MAINTENANCE

WARNING/AVERTISSEMENT

There are no user serviceable parts inside. Refer all servicing to a qualified service technician.

Aucune pièce interne ne peut être réparée par l'utilisateur. Adressez-vous à un technicien qualifié.

WARNING/AVERTISSEMENT

After equipment is serviced, verify programmable positions are safe and known positions.

Après l'équipement est révisé, vérifier les positions programmables sont des positions sûres et connues.

WARNING/AVERTISSEMENT

The Control of Hazardous Energy (lockout/tagout) §1910.147 procedure must be followed to disable equipment, preventing the release of hazardous energy while performing servicing and maintenance activities.

La procédure de La Maîtrise des Énergies Dangereuses (lockout/ déconsignation) § 1910.147 doit être suivie pour désactiver l'équipement, empêchant la libération des énergies dangereuses lors de l'exécution des activités de maintenance et d'entretien.

CAUTION/PRÉCAUTION

This equipment may be damaged by solvents and dyes. Immediately remove any fluids spilled on the equipment.

Cet équipement peut être endommagé par des solvants et des colorants. Retirer immédiatement tout liquide renversé sur l'équipement.

CAUTION/PRÉCAUTION

Avoid contact with sharp or pointed objects. Do not place hard surface objects on the upholstery surfaces as temporary indentations or impressions in the upholstery cover will result. Prolonged contact with a hard or irregular shaped object may make the impression semi-permanent.

Éviter le contact avec des objets pointus ou tranchants. Ne placez pas d'objets de surfaces dures sur les surfaces de capitonnage d'ameublement, comme des empreintes temporaires ou des impressions dans le couvercle du capitonnage en résulteront. Un contact prolongé avec un objet en forme de disque ou irrégulière peut faire l'impression semi-permanente.

CAUTION/PRÉCAUTION

Any sprayed disinfectant or cleaning solution should be wiped up immediately after application and not let to stand. A small sample area should be tested before any large application of any cleaner/disinfectant.

Tout désinfectant pulvérisé ou solution de nettoyage doivent être essuyés immédiatement après l'application et ne pas laisser reposer. Une petite zone de l'échantillon doit être testé avant toute application complète d'un nettoyeur/désinfectant.

CAUTION/PRÉCAUTION

Avoid prolonged direct sunlight exposure to preclude color change of the plastic.

Évitez l'exposition directe au soleil prolongée pour empêcher le changement de couleur des éléments en plastique.

NOTICE/AVIS

MTI recommends cleaning the equipment frequently.

MTI recommande de nettoyer l'équipement fréquemment.

Cleaning and Disinfection

Upholstery

Upholstery should be cleaned weekly with a mild liquid soap and warm water mixture. Afterwards, wipe upholstery with clean damp cloth.

MTI's standard policy on disinfecting MTI medical equipment is to use a 10% sodium hypochlorite (bleach) and 90% water solution. If stronger or other disinfecting and cleaning solutions are used, the surface is at risk to be damaged or possibly cause discoloring, cracking, or other types of damage to the surface. See current CDC Guideline for Disinfection & Sterilization in Healthcare Facilities.

MTI understands that many customers prefer to use a pre-mixed disinfecting solution in a spray or wipe. It is MTI's recommendation not to use sprays because over time the overspray will cause damage to the surfaces if not immediately wiped up. MTI recommends hand towels or wipes to avoid the possibility of overspray. Once the approved contact time has been obtained, remove and dry excess liquid remaining on the surface.

See "MTI Cleaning Solution Recommendation Letter" for more details on disinfecting solutions which have been tested on MTI's products. It is available for download at <http://www.mti.net/downloads.aspx> in the Product Support Bulletins folder, found under the Resources tab on our website. In the U.S. & Canada, call (888) 520-4998, or International, call (801) 875-4998 to request a copy.

Painted and Plastic Surfaces

All painted metal parts have been electrostatically painted and the paint is baked on for durability. These surfaces should be wiped down with a quality grade cleaner and a soft cloth or a damp cloth with mild soap once a week.

Preventative Maintenance

Periodically inspect the following areas:

1. All fasteners and pins should be in place and tightened securely.
2. Lubricate pins and moving joints as needed with lithium grease.
3. Power cord should be free of cuts or other visible damage.
4. All mechanical functions should operate properly.

Have an authorized service technician inspect your equipment once a year.

Fuse Replacement Instructions

1. Unplug the chair.
2. Open the fuse drawer below the female connection for the power cord.
3. Remove the burnt fuse(s). (Needle nose pliers or hemostats may be needed.)
4. Insert new fuse(s) with same type of fuse removed in step 3. (See figure 1 below) See "SPECIFICATIONS" on page 21 for fuse type.
5. Close the fuse drawer.
6. Reinsert the power cord into the base of the chair and secure it with the retainer clip.

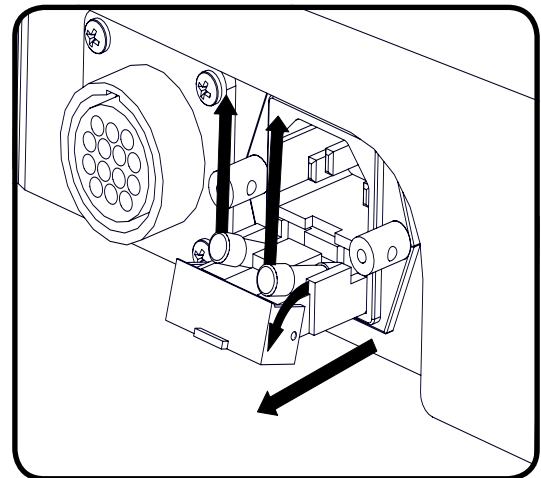


Figure 1

Calls for Service

Equipment's model and serial number information are required when calling for service.

Serial number is indicated by the **SN** symbol located on the serial number tag.

If service is required, contact MTI

U.S. & Canada 888-520-4998

International 801-875-4998

Fax (801) 952-0548

customer.service@mti.net

Monday-Friday 8:00 am - 5:00 pm (MST)

www.mti.net

LIMITED WARRANTY

Medical Technology Industries, Inc. (hereinafter referred to as MTI), shall repair or replace products of its manufacture, which prove to be defective in material and/or workmanship for a period of twelve (12) months from the date of shipment to the customer (the "Warranty Period"). MTI will, at its option, provide parts to the customer or repair the defective part at MTI's factory or authorized repair facility. Except as it may otherwise specifically agree in writing, MTI shall not be liable for transportation or labor charges for repairs or adjustments or other work done on any of its products by MTI's authorized dealers or service organizations.

Customer shall notify MTI of any alleged claim or defect within fourteen (14) days from the date customer discovers, or upon reasonable inspection should have discovered, such alleged claim or defect (but in any event before the expiration of the Warranty Period). All repair parts are warranted for Ninety (90) calendar days from the date of shipment to the customer. Warranty is non-cumulative.

This warranty does not apply to any part or product which upon examination by MTI or its authorized agents indicates the product has been repaired or altered in any way by persons other than MTI or its authorized agents, has been misused, abused or used in a manner contrary to any instructions issued by MTI. Any parts or products claimed under this warranty must be properly packaged by customer and returned to MTI's factory with no liability to MTI for the parts, products or transportation charges thereon.

In no event, shall MTI have any liability for consequential, indirect, incidental, special, exemplary, punitive or enhanced damages, lost profits or diminution in value arising out of or relating to a product defect or the repair or replacement of any products manufactured or sold by it.

THE FOREGOING LIMITED WARRANTY IS MADE IN LIEU OF ALL WARRANTIES EXPRESSED OR IMPLIED, AND MTI MAKES NO OTHER WARRANTY WHATSOEVER WITH RESPECT TO THE PRODUCTS INCLUDING BUT NOT LIMITED TO, ANY IMPLIED WARRANTY OR MERCHANTABILITY OR FITNESS FOR A PARTICULAR PURPOSE

TROUBLESHOOTING GUIDE

NOTICE/AVIS

For more information on this equipment, including circuit diagrams, parts and service manuals, and other descriptions, please contact MTI.

Pour plus d'informations sur cet équipement, y compris des schémas de circuits, les manuels de service et pièces, et autres descriptions, s'il vous plaît contacter MTI.

#	SYMPTOM	PROBLEM CAUSE	SOLUTION
1	Chair will not function.	Chair power cord is not plugged in.	Verify power cord is securely connected at both ends.
2	Chair will not function.	Facility power receptacle problem.	Check facility's power receptacle with a known working device of same voltage specifications.
3	Chair will not function.	Facility power receptacle problem.	Check facility circuit breaker to verify it is not tripped.
4	Chair will not function.	Facility supply voltage is incorrect voltage.	Verify voltage is per specifications on chair serial number/product tag.
5	Chair motor will not function.	Electrical lockout switch is off.	Flip the Electrical Lockout Switch. See "Electrical Lockout" on page 12.
6	Chair will not function.	Fuses have blown.	Verify fuses are not burnt. Replace fuse(s) if necessary. See "Fuse Replacement Instructions" on page 17.
7	Chair will not function.	Circuit board isn't functioning correctly.	Contact Customer Service.
8	Chair will not function or a function is erratic.	Controls are not securely connected.	Verify each control is securely connected to the chair. See "Unpacking & Set-up" on page 8 for instructions how to securely connect controls.
9	Lift function is slower than usual and only goes up about halfway.	One of the lifting column motors is not functioning or circuit board isn't functioning correctly.	Contact Customer Service.
10	Back, Tilt, or Lift functions will not function.	Circuit board has disabled motor(s). The controller may disable individual motor(s) to prevent motor damage in the event that a failure in the circuit board is detected or unusual motor operation has occurred.	Reset circuit board. For chairs with a circuit board revision AG (June 2014) and after, flip the electrical lockout switch to "OFF" position, wait 2 seconds, and then flip the toggle switch to the "ON" position. See "Electrical Lockout" on page 12. For chairs with a circuit board revision AD and prior, unplug the chair from power and wait one minute and plug back in.

TROUBLESHOOTING GUIDE

NOTICE/AVIS

For more information on this equipment, including circuit diagrams, parts and service manuals, and other descriptions, please contact MTI.

Pour plus d'informations sur cet équipement, y compris des schémas de circuits, les manuels de service et pièces, et autres descriptions, s'il vous plaît contacter MTI.

#	SYMPTOM	PROBLEM CAUSE	SOLUTION
11	Back, Tilt, or Lift functions will not function.	Motor is not functioning or circuit board isn't functioning correctly.	Contact Customer Service.
12	The circuit board has to be reset often.	Possible faulty circuit board.	Contact Customer Service.
13	Swivel will not lock.	Wiring, switch, and/or circuit board is not functioning correctly.	Contact Customer Service.
14	Foot section doesn't lock or is difficult to operate.	Foot section slide or lock mechanism is damaged.	Contact Customer Service.

SPECIFICATIONS

DESCRIPTION	SPECIFICATION
Lifting Capacity	527/526: 650 lbs (295.45 kg) 527W: 800 lbs (362.87 kg)
Weight of Chair	527: 350 lbs. (159 kg) 526: 316 lbs. (143 kg) 527W: 376 lbs. (171 kg)
Shipping Weight of Chair	527: 435 lbs. (197 kg) 526: 401 lbs. (182 kg) 527W: 472 lbs. (214 kg)
Table Top Range	19" (48.3 cm) to 38.7" (98.3 cm) w/Swivel Base adds 1.75" (4.5cm) w/Mobile Base adds 1" (2.5 cm)
Back Section Range	0° (horizontal) to + 80° ± 5°
Table Top Tilt Range	0° to 30°
Foot Extension	12"
Foot Control	Rated Drip Proof
Hand Control	Rated Drip Proof
General Dimensions (w/o footrest extended)	526/527: 24" (61 cm) wide x 74.5" (189 cm) long 527W: 30" (76.2 cm) wide x 74.5" (189 cm) long
Power Cord	Plugs: U.S.A. standard 3 prong and IEC 60320-C13.
Electrical Ratings:	115 VAC ± 10%, 4 amps, 60 HZ 230 VAC ± 10%, 2 amps, 50 HZ
Fuse Replacement	PC Board: 32 V, 20 A, Fast Acting, 6.3 mm x 32 mm At power cord inlet: 250 V, 4 Amp, Slo-Blow, on 115 V, 5mm x 20mm 250 V, 2 Amp, Slo-Blow, on 230 V, 5mm x 20mm
Duty Cycle	Intermittent Operation, 10% Duty Cycle Example: (1) minute on (9) minutes off
Classification	Class 1, Type B Equipment, Ordinary Equipment, Intermittent Operation
Listing/Approvals	ETL, UL 60601-1, 1st Edition, CAN/CSA-C22.2 No. 6011-M90, CE

* Weight and dimensions may vary depending on accessories purchased and international shipment weights and dimensions may vary.



Strength in patient care.™

3655 W Ninigret Drive
Salt Lake City, Utah, 84104-6572
(800) 924-4655 • (801) 875-4999 • Fax (801) 952-0548
www.mti.net

© MTI, Inc. All rights reserved.
MTI reserves the right to make any
product changes without notice.

073059 Rev B