

Barrier-Free™ Bariatric Power Treatment Table

Model Numbers:

244 -001

Ritter®
by MIDMARK

Service and
Parts Manual



FOR USE BY MIDMARK TRAINED TECHNICIANS ONLY

Table Of Contents

General Information

GENERAL INFORMATION

Symbols	iii
Ordering Parts	iii
Model / Serial Number	
Location	iii
Weights, Dimensions,	
Electrical Specifications	iv
Range of Motion	v
Model Identification /	
Compliance Chart	v
Scheduled Maintenance	vi
Warranty Information	vii

Section A

OPERATION & TROUBLESHOOTING

Power To The Table	A-2
Base Up / Down	A-7
Tilt Up / Down	A-15
Back Up / Down	A-22

Section B

COMPONENT TESTING & REPLACEMENT

Fuses	B-2
Power Inlet	B-3
Base Cover Limit Switches	B-4
Control Box	B-6
Lower Actuators	B-8
Back Actuators	B-10

Section C

ACCESS PROCEDURES

Removing & Installing:

Upholstery	C-2
Bottom Cover	C-3
Base Cover	C-4
Seat Section Cover	C-9

Section D

WIRING DIAGRAMS

244-001	D-2
---------------	-----

Section E

EXPLODED VIEWS / PARTS LISTS

244-001	E-2
Upholstery	E-3
Upper Frame	E-4*
Back Actuator	E-5
Hand Control	E-6
Base Covers &	
Leveling Feet	E-7
Lower Actuators	E-8
Control Box & Power Inlet	E-9
Base Cover Limit Switches	E-10
Base Frame	E-11
Shipping Skid	E-12

* Indicates multiple pages due to a serial number break for the parts illustration

Symbols



Caution

Indicates a potentially hazardous situation which could result in injury if not avoided.



Equipment Alert

Indicates a potentially hazardous situation which could result in equipment damage if not avoided.

Note

Amplifies a procedure, practice, or condition.



Indicates that the component the check mark appears beside should be tested before replacing it. In Section A, test the components in the order indicated. (ex. **1st** ✓ then, **2nd** ✓)

Refer to Section B for component testing procedures.

These symbols are used throughout this manual to represent the operational status of table functions and components.



Indicates the function / component is working properly. No action required.



Indicates the function / component is working, but a problem exists.



Indicates the function / component is not working at all.

Ordering Parts

The following information is required when ordering parts:

- Serial number & model number
- Part number for desired part.
[Refer to Exploded Views / Parts Lists section]

Non-warranty parts orders may be faxed to Midmark using the Fax Order Form in the back of this manual.

For warranty parts orders, call Midmark's Technical Service Department with the required information.

Hours: 8:00 am until 5:00 pm EST [Monday - Friday]

Phone: 1-(800)-Midmark

Model / Serial Number Location



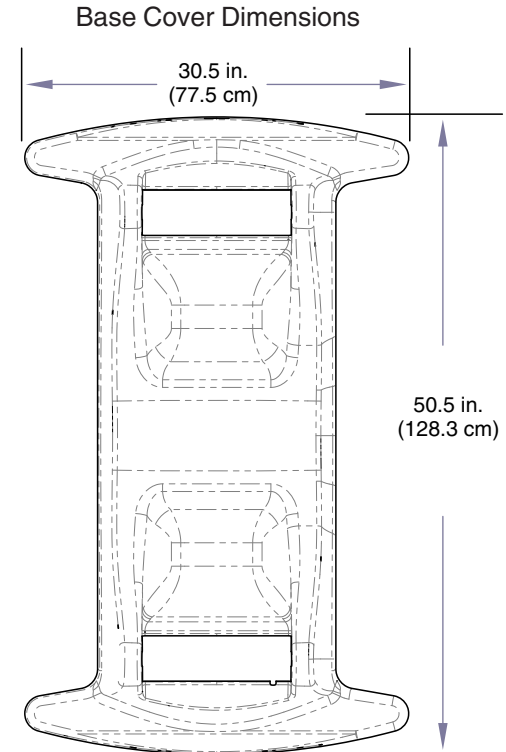
MM678900p

General Information

Weights, Dimensions, Electrical Specifications

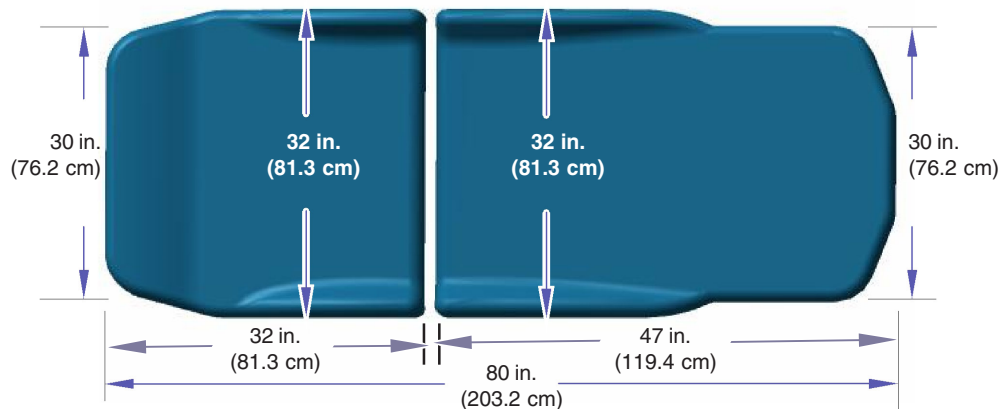
Patient Weight (Maximum)	850 lbs (385 kg)
<i>w/Caster Base Accessory</i>	650 lbs (295 kg)
Paper Roll (maximum size):	24 in. long x 6 in. diameter (61cm x 15.2 cm)
Range of Motion & Dimensions	[See illustration]
Weight of Table	340 lbs (154 kg)
<i>w/packaging & skid</i>	400 lbs (181 kg)
Power Cord:	8 ft. (243.8 cm) long
Electrical Requirements:	[See Compliance Charts]
Hand Control Voltage:	5 VDC, SELV (Safety Extra Low Voltage)
Fuses:	
Located at power cord inlet:	6.3A, 250V, Slo-Blo, 5 x 20 mm
Duty Cycle (motor run time):	Intermittent Operation [1 minute ON / 9 minutes off]
Classifications:	Class 1, Type B Applied Part
Protection against ingress of fluids:	Ordinary Equipment
Regulatory Compliance:	[See Compliance Charts]

Equipment not suitable for use in the presence of a flammable anesthetic mixture with air, or with oxygen, or nitrous oxide.



MA7895i

Upholstered Top Dimensions



Range of Motion

Note: Movement automatically stops at the maximum / minimum height.

[The table is equipped with safety switches to stop all movement if any pressure is applied to the base cover].

Max.
34 in.
(86.4 cm)

Min.
18 in.
(45.7 cm)



Min.
0° ±1°

Max.
65° ±3°



Max.
15° ±2°

Horizontal
0°

Min.
-15° ±2°



Model Identification / Compliance Chart - 244

Fire Code Ratings

All Midmark Standard Upholstery sets comply with: California Bureau of Home Furnishing Technical Bulletin 117

Model	Description	Serial Number Prefix	Complies To:					Electrical Ratings:		
			UL 60601-1	CAN/CSA 22.2, #601.1-M90	EN 60601-1-2 (EMC)	EN 60601-1	CE	VAC +/- 10%	Amps	Cycles (Hz)
244-001	Bariatric Treatment Table	n/a	X	X				120	2.5	60

Warranty Information

SCOPE OF WARRANTY

Midmark Corporation (“Midmark”) warrants to the original purchaser its new Alternate Care products and components (except for components not warranted under “Exclusions”) manufactured by Midmark to be free from defects in material and workmanship under normal use and service. Midmark’s obligation under this warranty is limited to the repair or replacement, at Midmark’s option, of the parts or the products the defects of which are reported to Midmark within the applicable warranty period and which, upon examination by Midmark, prove to be defective.

APPLICABLE WARRANTY PERIOD

The applicable warranty period, measured from the date of delivery to the original user, shall be one (1) year for all warranted products and components.

EXCLUSIONS

This warranty does not cover and Midmark shall not be liable for the following: (1) repairs and replacements because of misuse, abuse, negligence, alteration, accident, freight damage, or tampering; (2) products which are not installed, used, and properly cleaned as required in the Midmark “Installation” and or “Installation / Operation Manual for this applicable product. (3) products considered to be of a consumable nature; (4) accessories or parts not manufactured by Midmark; (5) charges by anyone for adjustments, repairs, replacement parts, installation, or other work performed upon or in connection with such products which is not expressly authorized in writing in advance by Midmark.

EXCLUSIVE REMEDY

Midmark’s only obligation under this warranty is the repair or replacement of defective parts. Midmark shall not be liable for any direct, special, indirect, incidental, exemplary, or consequential damages or delay, including, but not limited to, damages for loss of profits or loss of use.

NO AUTHORIZATION

No person or firm is authorized to create for Midmark any other obligation or liability in connection with the products.

THIS WARRANTY IS MIDMARK’S ONLY WARRANTY AND IS IN LIEU OF ALL OTHER WARRANTIES, EXPRESS OR IMPLIED. MIDMARK MAKES NO IMPLIED WARRANTIES OF ANY KIND INCLUDING ANY WARRANTIES OF MERCHANTABILITY OR FITNESS FOR ANY PARTICULAR PURPOSE. THIS WARRANTY IS LIMITED TO THE REPAIR OR REPLACEMENT OF DEFECTIVE PARTS.

SF-1487 REV. A1

Additional Information

Failure to follow the guidelines listed below will void the warranty and/or render the table unsafe for use.

- If a malfunction is detected, do not use the table until necessary repairs are made.
- Do not attempt to disassemble table, replace components, or perform adjustments unless you are a Midmark authorized service technician.
- Do not use another manufacturer's parts to replace malfunctioning components. Use only Midmark replacement parts

Section A

Operation & Troubleshooting



<u>Function / System</u>	<u>Page</u>
Power To The Table	A-2
Base Up / Down Function	A-7
Tilt Up / Down Function	A-15
Back Up / Down Function	A-22

Operation & Troubleshooting

Power To The Table

Facility Supply Voltage

With the table's power cord properly connected, facility supply voltage (115 VAC) is supplied thru the cord to the power inlet.

Power Inlet (Power Switch & Fuses)

Current flows thru two fuses in the power inlet to the power switch. When the power switch is turned ON (I), current flows to the control box.

Control Box

Line voltage (115 VAC) is supplied to the control box thru the power inlet. (An indicator light on the control box illuminates when power is present). The control box reduces the voltage and supplies approximately 5 VDC to the base cover limit switch circuit.

Base Cover Limit Switch Circuit

Note

The base cover limit switches prevent injury and/or equipment damage by disabling all table functions if any pressure is applied to the base cover.

The control box supplies approximately 5 VDC to the four base cover limit switches. During normal operating conditions, current flows thru all four normally-closed switches, then to the hand control.

If pressure is applied to the spring-loaded base cover, one or more of the limit switches will be tripped. When any of the limit switches are tripped, there is no current supplied to the hand control.

Hand Control

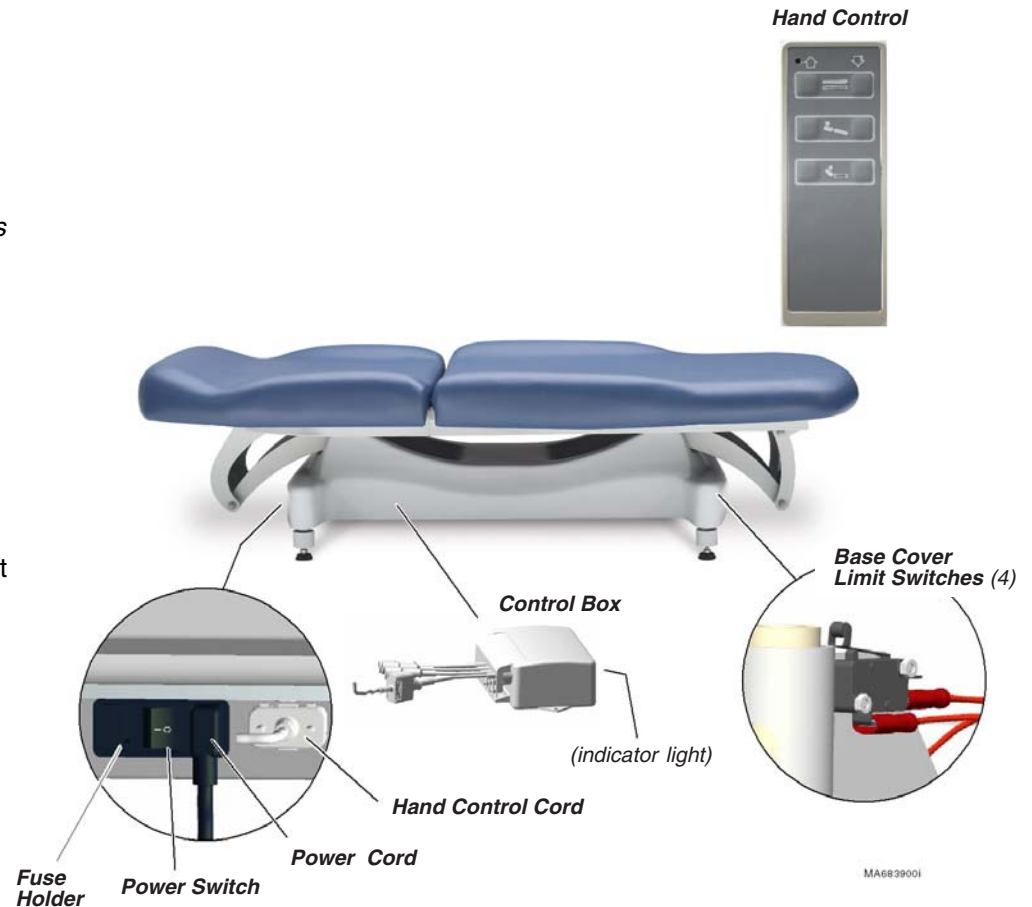
With the hand control cord properly connected, 5 VDC is supplied to the hand control thru the four base cover limit switches. This current continuously flows back to the control box thru separate wires for each table function. When a function is selected from the hand control, this "signal voltage" is removed from the wire corresponding to the selected function. When the signal voltage is removed, the control box activates the selected function.

Troubleshooting [Power to the Table]

Problem

Page

No table functions will operate A-3



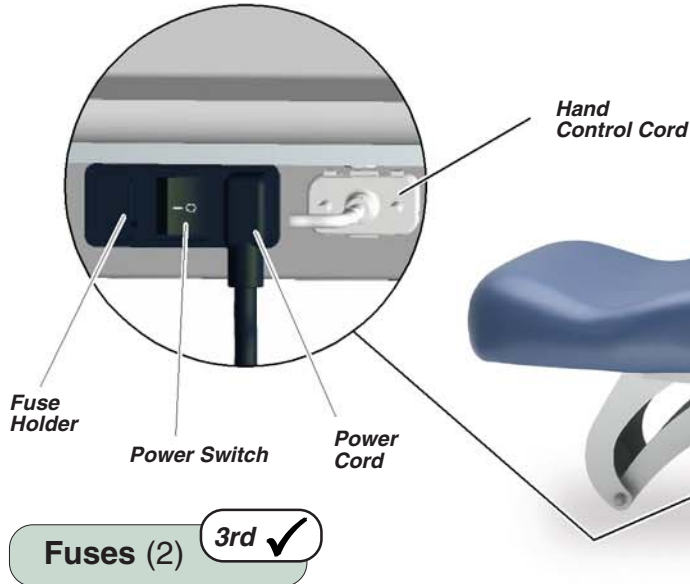
Power To The Table - continued

Problem: No table functions will operate.

Refer To:	Page
Limit Switch Circuit Test	A-4
Fuse Replacement	B-2

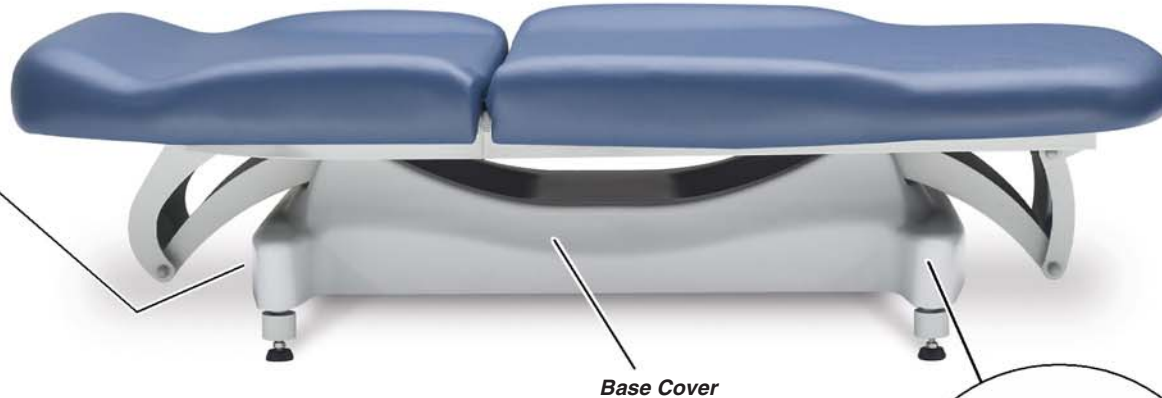
Is there power to the table? 1st ✓

Power switch must be turned ON (I).
Check facility circuit breaker.



Loose / Damaged Wire Connections 4th ✓

Check power cord and hand control cord.

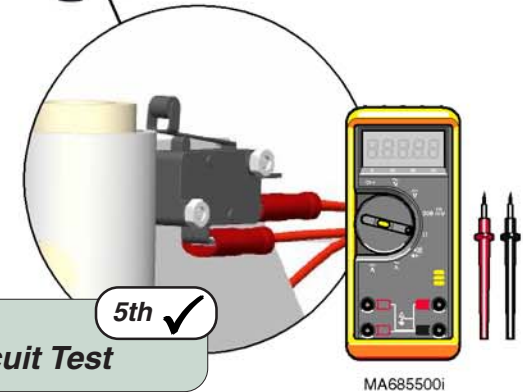


Fuses (2) 3rd ✓

Is there pressure / weight on the base cover? 2nd ✓

Any pressure on the base cover will disable all table functions.

Perform Limit Switch Circuit Test 5th ✓



Models:
Serial Numbers:

All


Power To The Table

Operation & Troubleshooting

Refer To:	Page
Supply Voltage Test	A-5
Signal Voltage Test	A-6

Power To The Table - continued

Limit Switch Circuit Test

 **Caution**
The power cord must be plugged in, and the power switch must be ON (I) during this test.

Step 1: Unplug hand control cord from table.



Step 2: Set meter to read DC voltage.

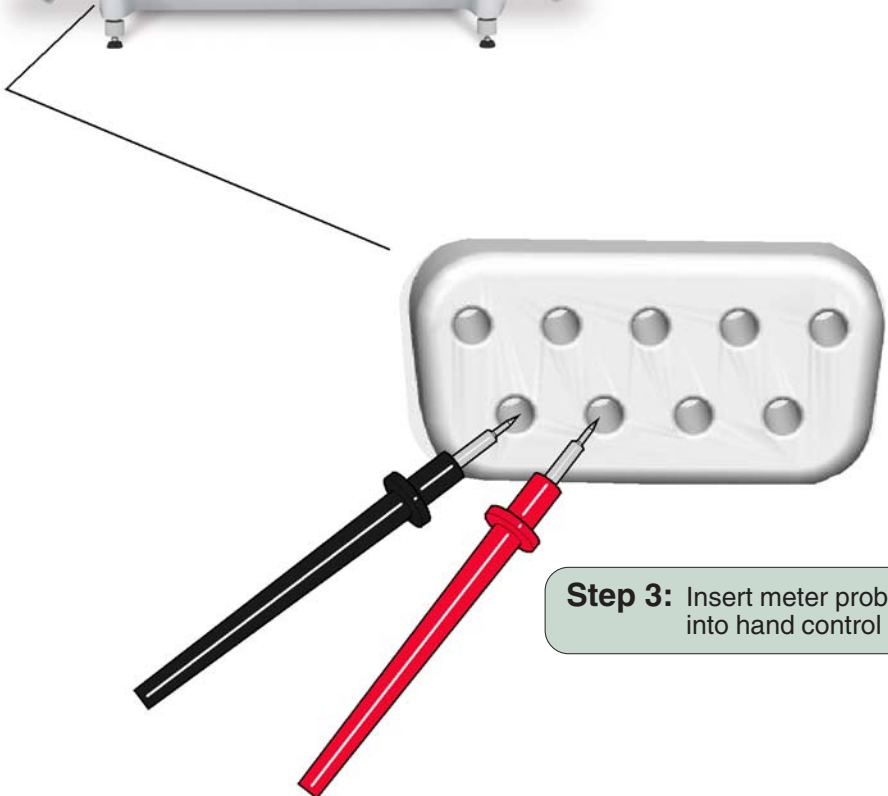


5 VDC (approximately) indicates:
Limit Switch Circuit* - OK
(* includes fuses & power switch)

Required Action:
Perform *Signal Voltage Test #1*.

0 VDC indicates:
Limit Switch Circuit is malfunctioning.

Required Action:
Perform *Supply Voltage Test*.



Step 3: Insert meter probes (*exactly as shown*) into hand control inlet on table.

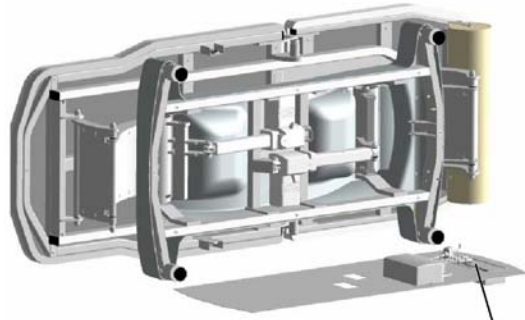
Power To The Table - continued

Supply Voltage Test



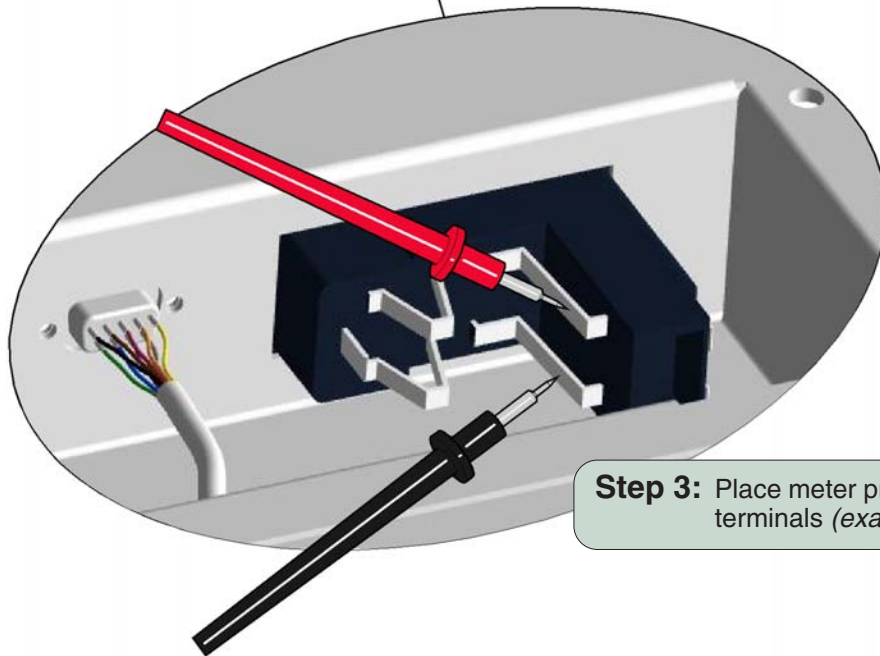
Caution

The power cord must be plugged in, and the power switch must be ON (I) during this test.



Step 1: Remove bottom cover.
Remove power inlet housing cover.

Step 2: Set meter to read AC voltage.



Step 3: Place meter probes on power switch terminals (*exactly as shown*).



MA687500i

Refer To:	Page
Fuse Test	B-2
Power Inlet Replacement.....	B-3
Limit Switch Test	B-5
Control Box Replacement	B-7
Exploded Views / Part Numbers	E-1

120 VAC (approximately) indicates:

Fuses - OK
Power Inlet - OK

Required Action:

Test all four Base Cover Limit Switches.
Replace any faulty limit switch(es).

If all limit switches are OK...

*Inspect hand control port harness. Replace if damaged.
If hand control harness is OK, replace control box.*

0 VAC indicates:

Power supply problem.

Required Action:

Check fuses.

*Replace faulty fuse(s).
If fuses are OK, replace power inlet.*

Models:
Serial Numbers:

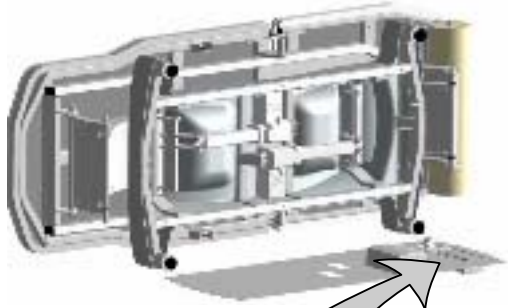
All

Power To The Table

Operation & Troubleshooting

Refer To:	Page
Control Box Replacement	B-7
Bottom Cover Removal	C-3
Exploded Views / Part Numbers	E-1

Step 1: Remove bottom cover.
Remove power inlet housing cover.



Tilt Down

Back Down

Hand Control
Cord Inlet

Step 4: Place red probe on BLACK wire.
Press Tilt Down button on hand control.
Check meter as button is pressed & released.

Step 5: Move red probe to YELLOW wire.
Press Back Down button on hand control.
Check meter as button is pressed & released.

Step 3: Place black probe on
GREY wire (*common*).

Power To The Table - continued

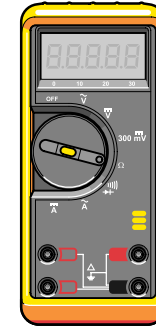
Signal Voltage Test



Caution

The power cord must be plugged in, and the power switch must be ON (!) during this test.

Step 2: Set meter to read DC voltage.



[Meter should indicate approx. 5 VDC,
when hand control button is released.
If not, repeat Limit Switch Circuit Test]

**When specified hand control button is pressed,
does voltage drop to approx. 0.7 VDC?**

If YES, replace control box.
If NO, replace hand control.

Base Up / Down Function

Power To The Hand Control

[Refer to 'Power To The Table' (page A-2), for description of current flow to the hand control].

Signal Voltage

The hand control continuously supplies signal voltage (approx. 5 VDC) to the control box thru separate wires for each function.

Base Up Operation

When the Base Up button is pressed, the circuit for this function opens, stopping the flow of signal voltage to the control box. When the signal voltage for the Base Up function is removed, the control box supplies 24 VDC to both lower actuators.

The two lower actuators extend and raise the table.

Both actuator motors run until:

1. Hand control button is released.
2. Both actuators are fully extended.
(internal limit switches - not serviceable)

Base Down Operation

When the Base Down button is pressed, the circuit for this function opens, stopping the flow of signal voltage to the control box. When the signal voltage for the Base Down function is removed, the control box supplies 24 VDC to both lower actuators.

The two lower actuators retract and lower the table.

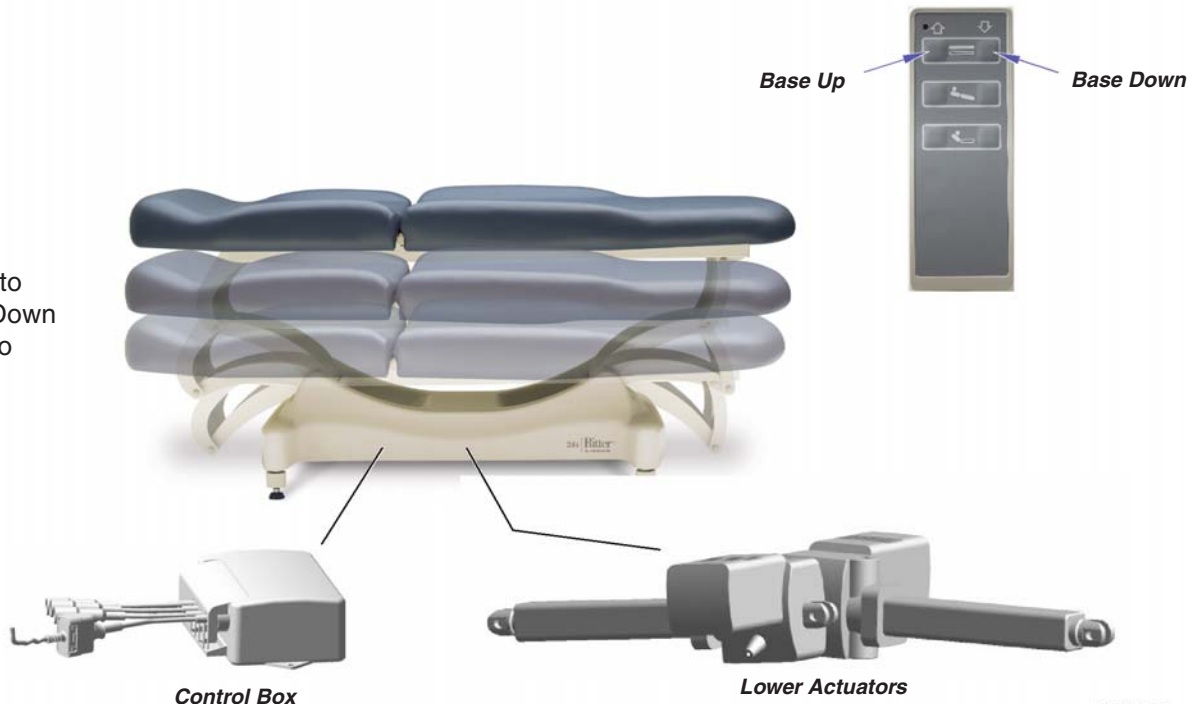
Both actuator motors run until:

1. Hand control button is released.
2. Both actuators are fully retracted.
(internal limit switches - not serviceable)

Troubleshooting

[Base Up / Down Function]

Problem	Page
No Base UP and/or No Base DOWN:	
Tilt function does <u>not</u> work	A-8
Tilt function - OK	A-9
When Base Up or Base Down is selected, the table tilts up or down	A-10
Table drifts down	A-11
Noisy actuator(s)	A-12



MA6859001

Models:
Serial Numbers:

All

Base Up / Down

A-7

Operation & Troubleshooting

Refer To: **Page**
Power To The Table A-3
Control Box / Lower Actuator Test A-13

Base Up / Down - continued

Problem: No Base Up and/or No Base Down.
(Tilt function does not work)

Does the Back function work?

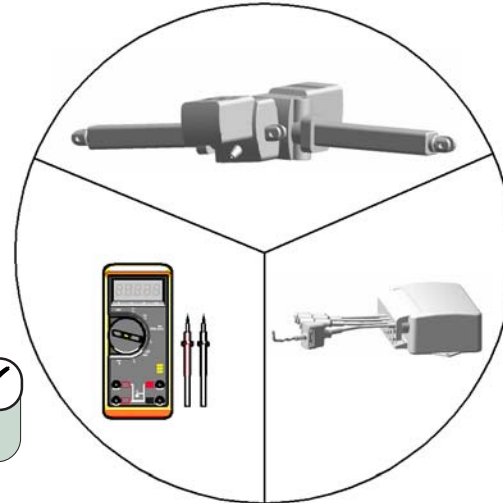
1st ✓

If YES, go to 2nd ✓
If NO, refer to, Section A: Power To The Table



Perform
Control Box / Lower Actuator Test

2nd ✓



MA688000i

Base Up / Down - continued

Problem: No Base Up and/or No Base Down.
(Tilt function - OK)

Refer To: [Signal Voltage Test: Base Function.....](#) **Page** A-14



Perform
Signal Voltage Test: Base Function

1st ✓



MA688300i

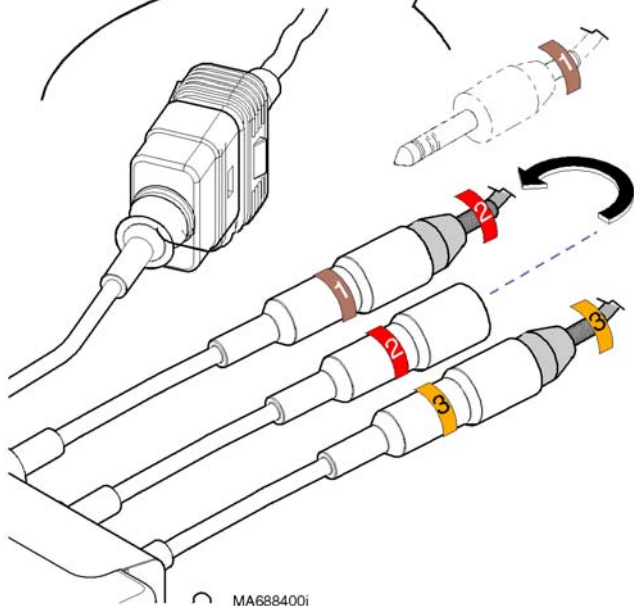
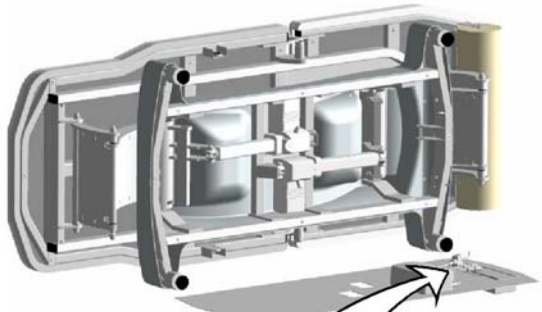
Models:
Serial Numbers:

All

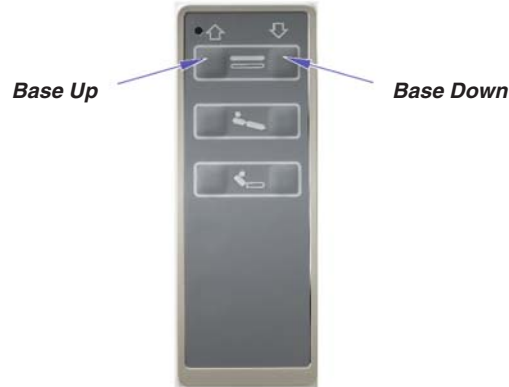
Base Up / Down

Operation & Troubleshooting

Refer To:	Page
Control Box Replacement	B-7
Lower Actuator Replacement	B-9
Bottom Cover Removal	C-3
Exploded Views / Part Numbers	E-1



MA688400i



Step 1: Remove bottom cover.

Base Up / Down - continued

Problem: When Base Up or Base Down is selected, the table tilts up or down.



Caution

The power cord must be plugged in, and the power switch must be ON (I) during this test.



Caution

Keep the area around the table clear!
The table will move when performing Steps 2 thru 5.

Step 2: Press the BASE UP button briefly, then release.

If both lower actuators extend...

Go to Step 3.

If only one lower actuator extends...

Go to Step 4.

Step 3: Press the BASE DOWN button briefly, then release.

If both lower actuators retract...

Repeat Step 2.

If only one lower actuator retracts...

Go to Step 4.

Step 4: Disconnect both lower actuator wires (1 & 2) from control box wires.

Step 5: Plug non-working actuator into control box wire for working actuator.
[ex. If lower actuator (2) did not move, plug it into control box wire (1)]
Press BASE UP / DOWN button.

If actuator works...
Replace the control box.

If actuator does not work...
Replace the actuator.

Operation & Troubleshooting

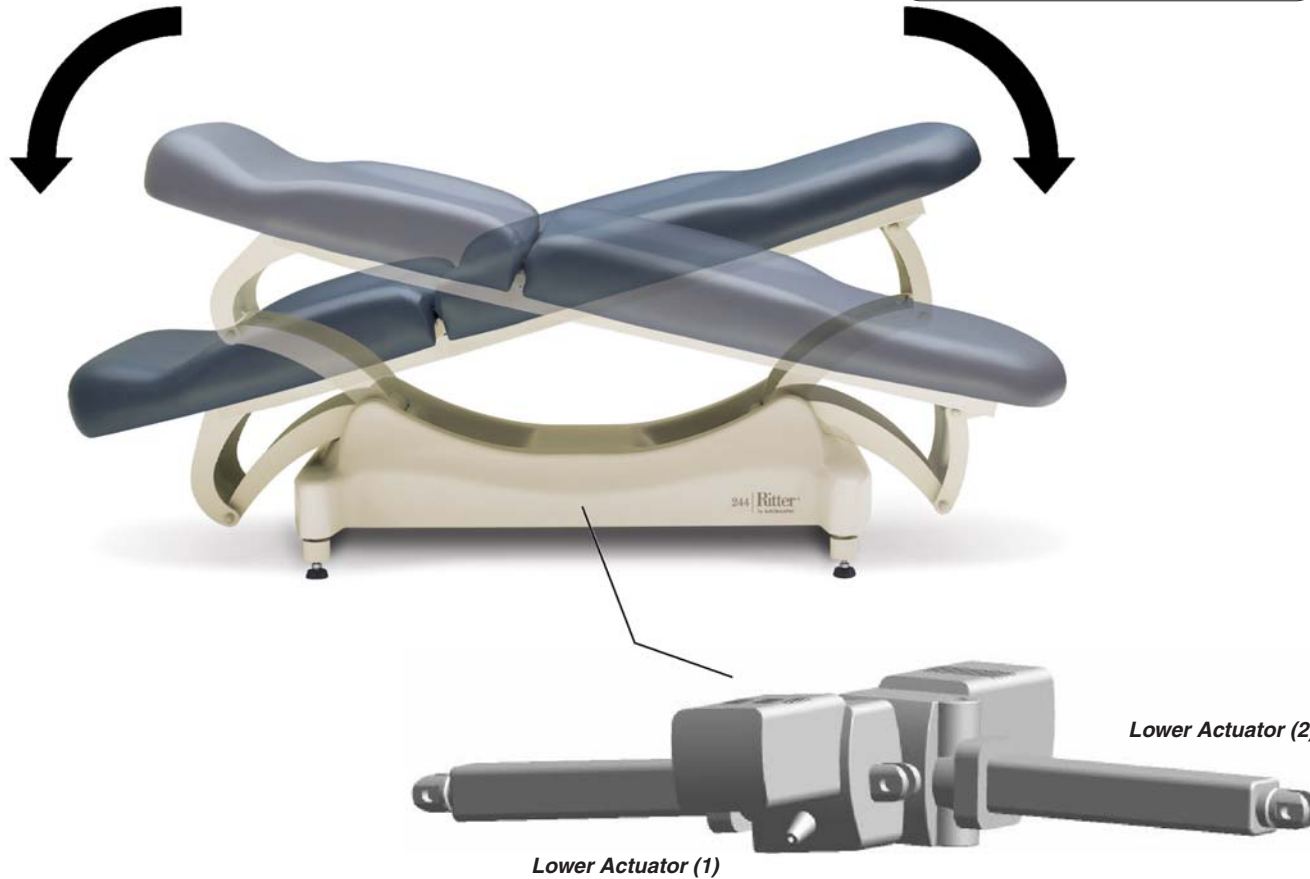
Base Up / Down - continued

Problem: Table drifts down.

Refer To:	Page
Lower Actuator Replacement	B-9
Exploded Views / Parts List	E-8

If head-end drifts down...
Replace Lower Actuator (1).

If foot-end drifts down...
Replace Lower Actuator (2).



MA688600i

Models:
Serial Numbers:

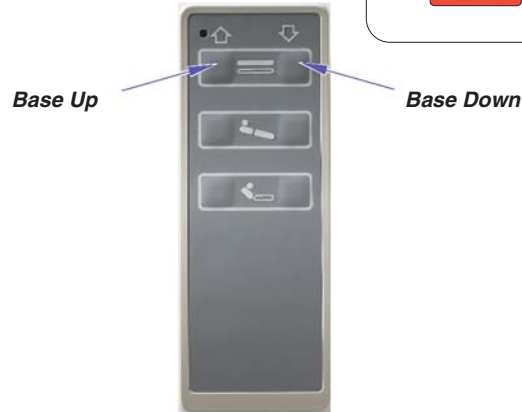
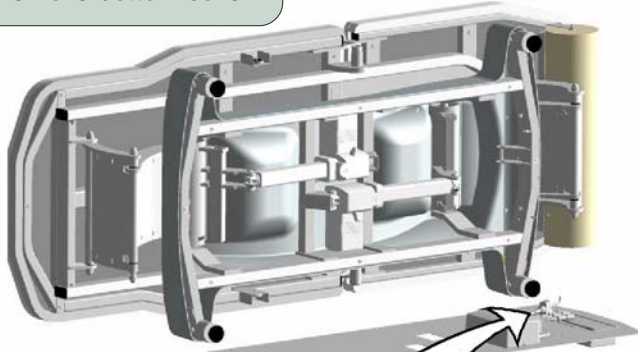
All

Base Up / Down

Operation & Troubleshooting

Refer To:	Page
Lower Actuator Replacement	B-9
Bottom Cover Removal	C-3
Exploded Views / Parts List	E-8

Step 1: Remove bottom cover.



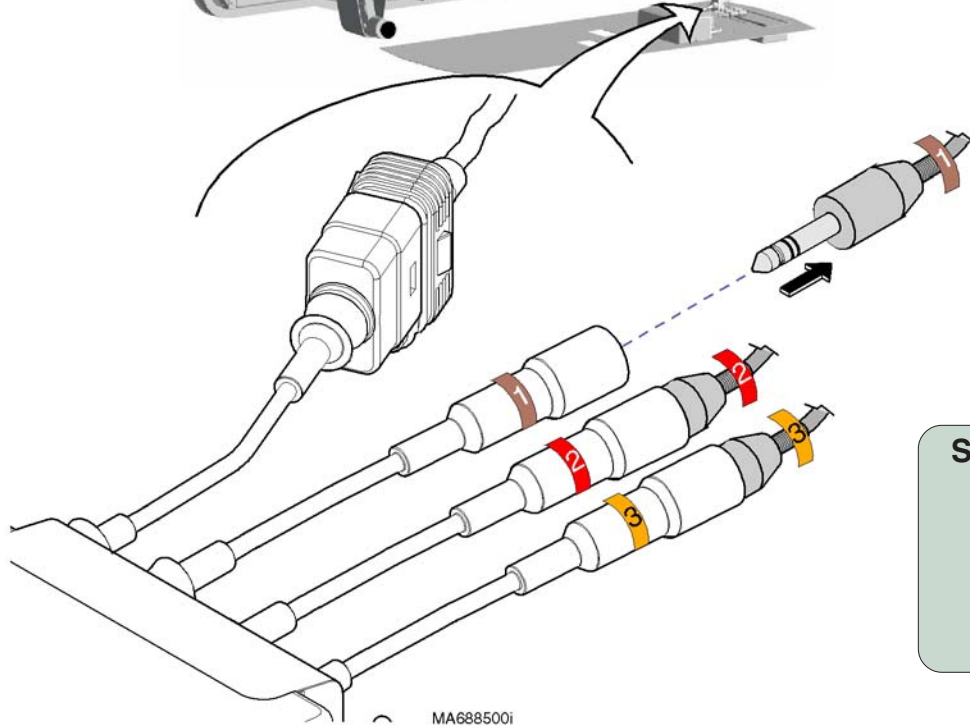
Base Up / Down - continued

Problem: Noisy actuator(s)



Caution

The power cord must be plugged in, and the power switch must be ON (I) during this test.



Caution

Keep the area around the table clear!
The table *will* move when performing Steps 2 & 3.

Step 2: Disconnect lower actuator wire (1).
Run Base Up & Base Down functions briefly.

If actuator (2) makes loud grinding noise...
Replace lower actuator (2).

If actuator (2) sounds OK...
Reconnect lower actuator wire (1).
Go to Step 3.

Step 3: Disconnect lower actuator wire (2).
Run Base Up & Base Down functions briefly.

If actuator (1) makes loud grinding noise...
Replace lower actuator (1).

If actuator (1) sounds OK...
Reconnect lower actuator wire (2).

Base Up / Down - continued

Control Box / Lower Actuator Test



Caution

The power cord must be plugged in, and the power switch must be ON (I) during this test.

Refer To:

Page

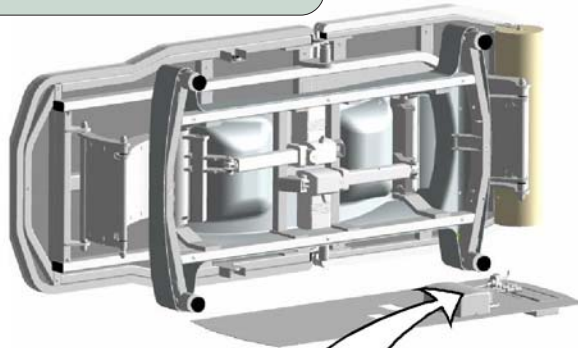
Signal Voltage Test: *Base Function* A-14

Lower Actuator Replacement B-9

Bottom Cover Removal C-3

Exploded Views / Parts List E-8

Step 1: Remove bottom cover.



Step 2: Unplug back acuator wire (3).
Connect lower actuator wire (2) to control box wire (3).



Caution

Keep the area around the table clear!
The table may move when performing this step.

Step 3: Press the BACK UP button briefly, then release.
Press the BACK DOWN button briefly, then release.

Does lower actuator move when buttons are pressed?

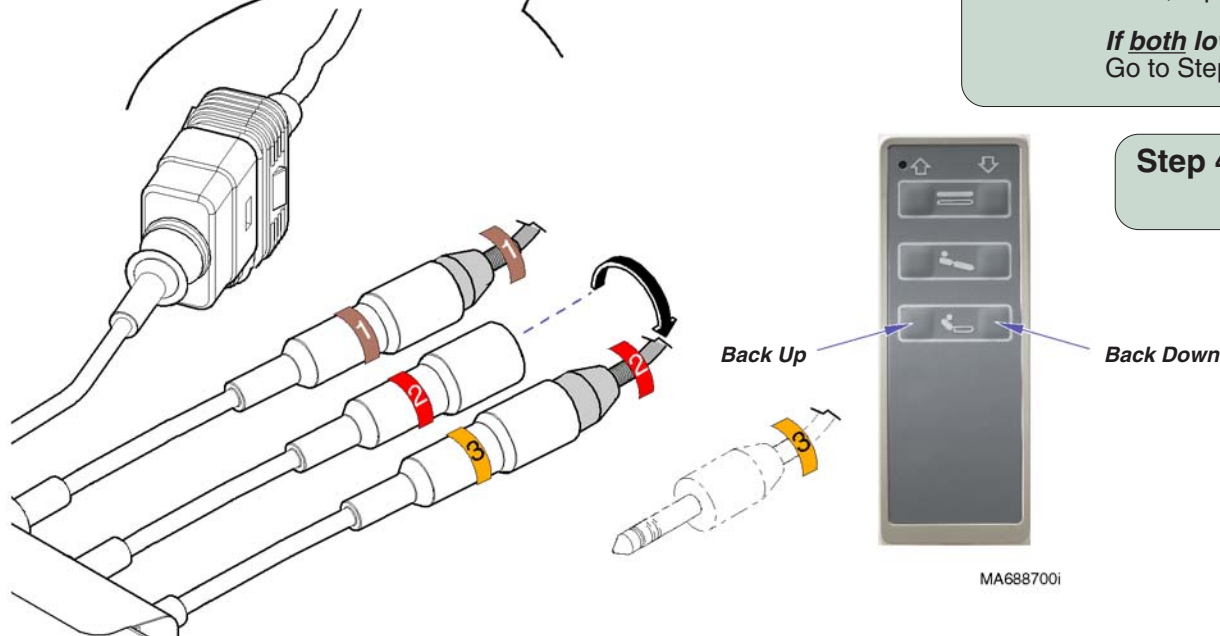
If YES, lower actuator is OK.
If NO, replace actuator.

If both lower actuators are OK...
Go to Step 5.

Step 4: Connect lower actuator wire (1) to control box wire (3).
Then, repeat Step 3.

Step 5: Reconnect actuator wires (1, 2, & 3)
to corresponding control box wires.

Step 6: Perform *Signal Voltage Test: Base Function*.



MA688700i

Models:
Serial Numbers:

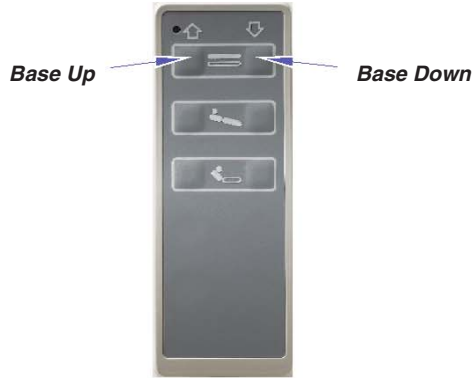
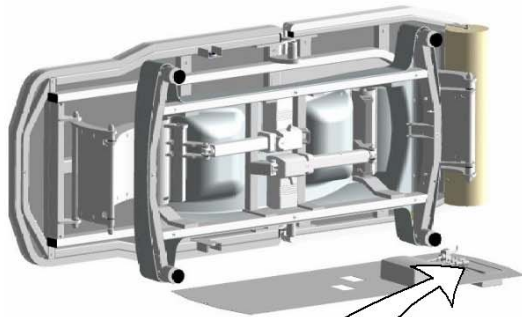
All

Base Up / Down

Operation & Troubleshooting

Refer To:	Page
Control Box Replacement	B-7
Bottom Cover Removal	C-3
Exploded Views / Parts Lists	E-1

Step 1: Remove bottom cover.
Remove power inlet housing cover.



Base Up / Down - continued

Signal Voltage Test: Base Function



Caution

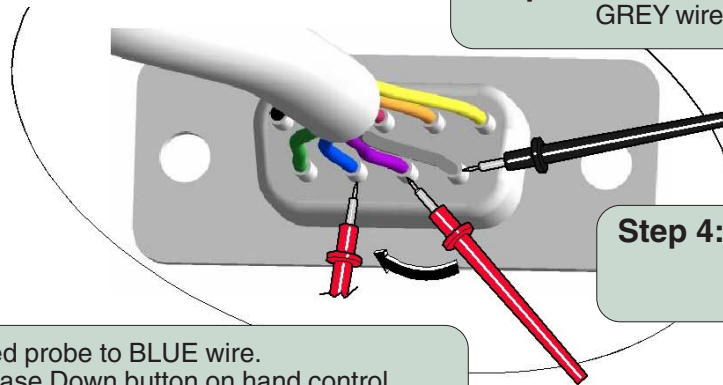
The power cord must be plugged in, and the power switch must be ON (!) during this test.

Step 2: Set meter to read DC voltage.



[Meter should indicate approx. 5 VDC, when hand control button is released. If not, refer to Limit Switch Circuit Test]

Hand Control
Cord Inlet



Step 3: Place black probe on GREY wire (common).

Step 4: Place red probe on PURPLE wire.
Press Base Up button on hand control.
Check meter as button is pressed & released.

Step 5: Move red probe to BLUE wire.
Press Base Down button on hand control.
Check meter as button is pressed & released.

When specified hand control button is pressed, does voltage drop to approx. 0.7 VDC?
If YES, replace control box.
If NO, replace hand control.

MA6882001

Tilt Up / Down Function

Power To The Hand Control

[Refer to 'Power To The Table' (page A-2), for description of current flow to the hand control].

Signal Voltage

The hand control continuously supplies signal voltage (approx. 5 VDC) to the control box thru separate wires for each function.

Tilt Up Operation (Foot-end UP)

When the Tilt Up button is pressed, the circuit for this function opens, stopping the flow of signal voltage to the control box. When the signal voltage for the Tilt Up function is removed, the control box supplies 24 VDC to both lower actuators.

Lower actuator (1) retracts, and lower actuator (2) extends, raising the foot-end of the table.

Both actuator motors run until:

1. Hand control button is released.
2. Lower actuator (1) is fully retracted.
Lower actuator (2) is fully extended.
(internal limit switches - not serviceable)

Tilt Down Operation (Foot-end DOWN)

When the Tilt Down button is pressed, the circuit for this function opens, stopping the flow of signal voltage to the control box. When the signal voltage for the Tilt Down function is removed, the control box supplies 24 VDC to both lower actuators.

Lower actuator (1) extends, and lower actuator (2) retracts, lowering the foot-end of the table.

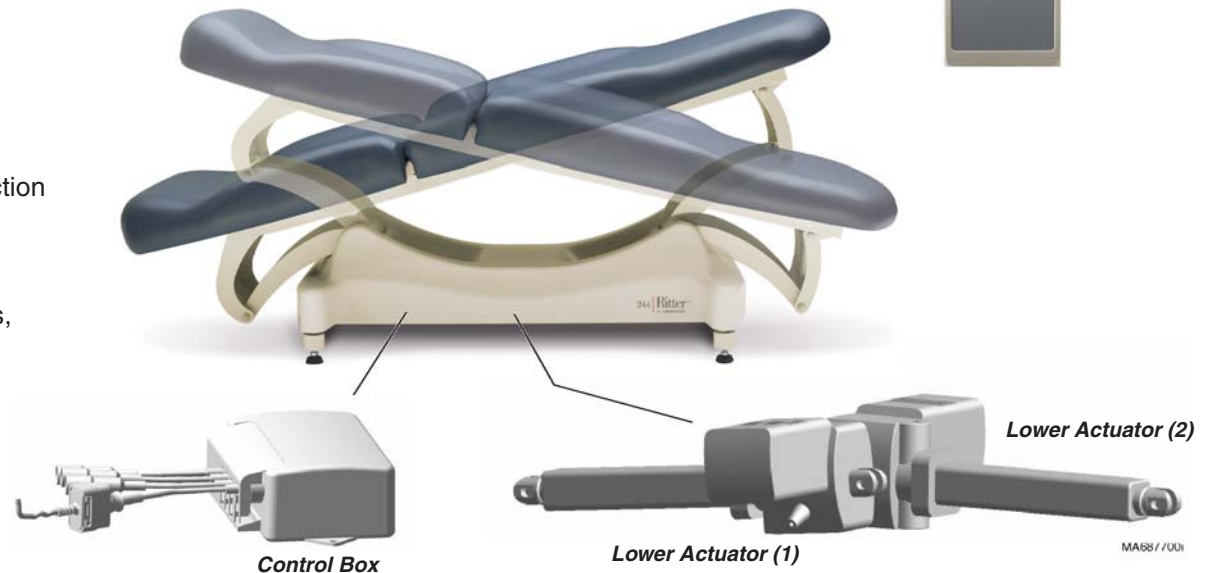
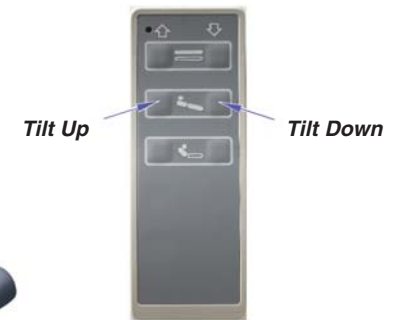
Both actuator motors run until:

1. Hand control button is released.
2. Lower actuator (1) is fully extended.
Lower actuator (2) is fully retracted.
(internal limit switches - not serviceable)

Troubleshooting

[Tilt Up / Down Function]

Problem	Page
No Tilt UP and/or No Tilt DOWN:	
Base function does <u>not</u> work	A-16
Base function - OK	A-17
Table drifts down	A-18
Noisy actuator(s)	A-19



Operation & Troubleshooting

Refer To:

Page

Power To The Table A-3

Control Box / Lower Actuator Test A-20

Tilt Up / Down - continued

Problem: No Tilt Up and/or No Tilt Down.
(Base function does not work)

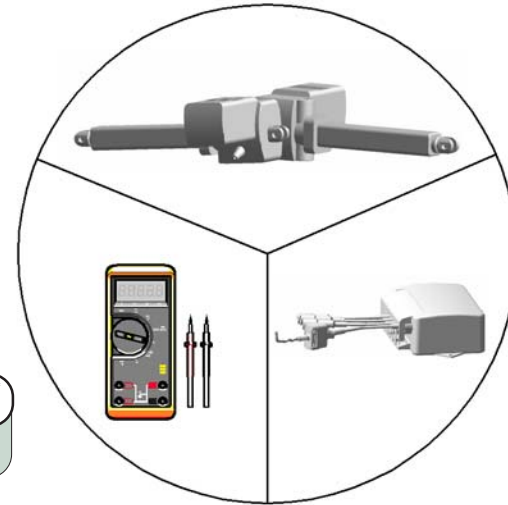
Does the Back function work? 1st ✓

If YES, go to 2nd ✓

If NO, refer to, Section A: Power To The Table



Perform Control Box / Lower Actuator Test 2nd ✓

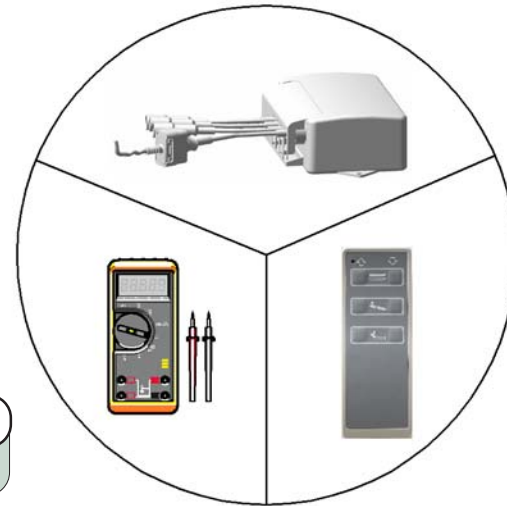


MA688000i

Tilt Up / Down - continued

Problem: No Tilt Up and/or No Tilt Down.
(Base function - OK)

Refer To: Page
Signal Voltage Test: *Tilt Function* A-21



Perform
Signal Voltage Test: Tilt Function

1st ✓



MA688300i

Models:
Serial Numbers:

All

Tilt Up / Down

Operation & Troubleshooting

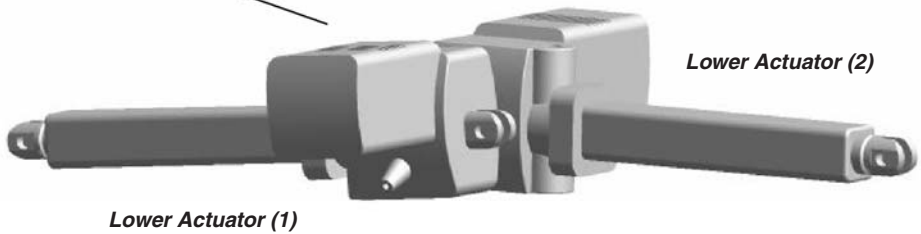
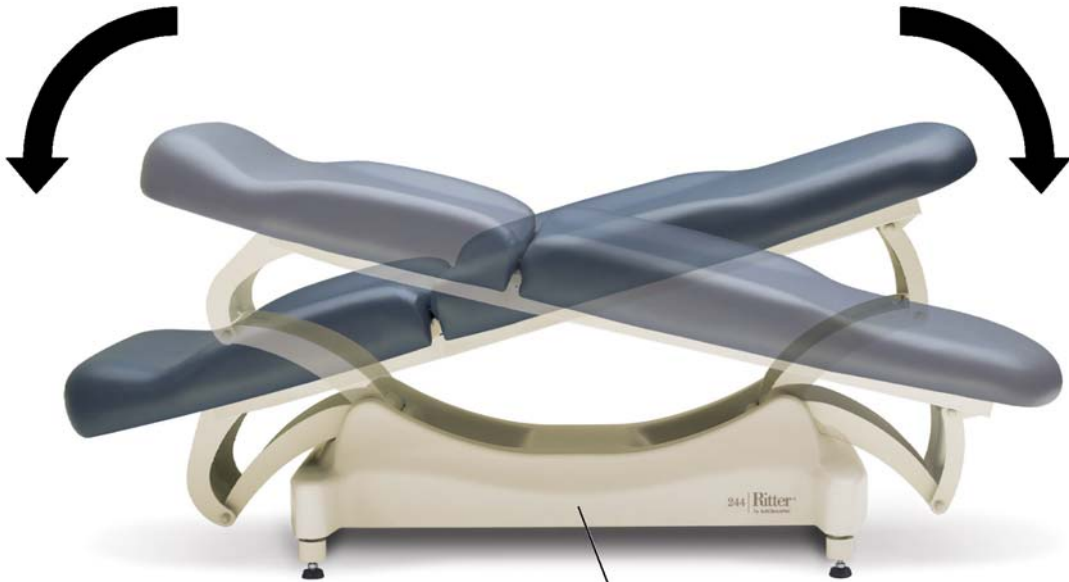
Tilt Up / Down - continued

Problem: Table drifts down.

Refer To: **Page**
Lower Actuator Replacement B-9
Exploded Views / Parts List E-8

If head-end drifts down...
Replace Lower Actuator (1).

If foot-end drifts down...
Replace Lower Actuator (2).



MA688600i

Operation & Troubleshooting

Tilt Up / Down - continued

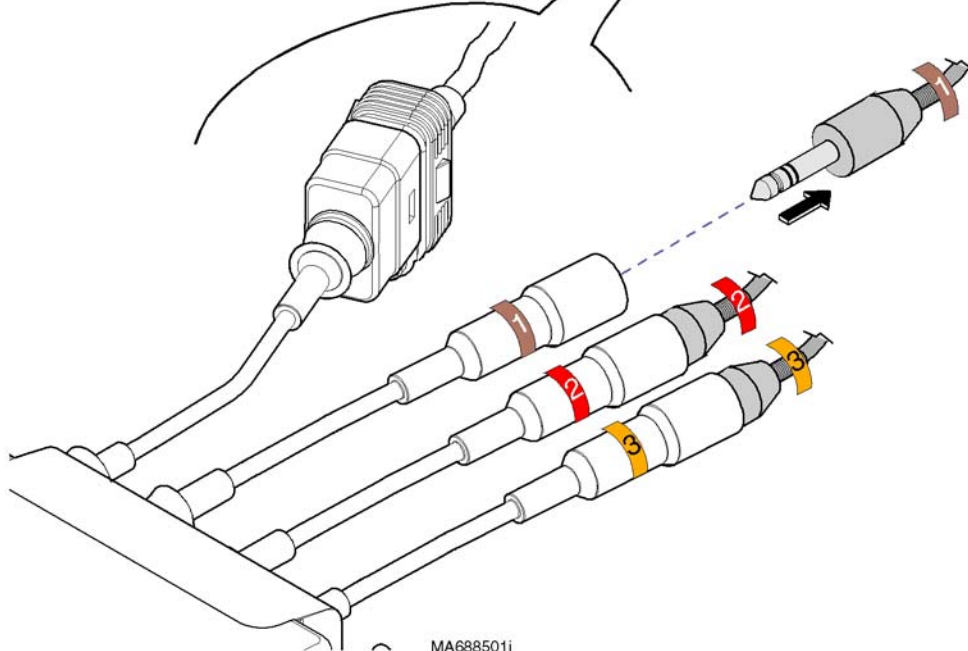
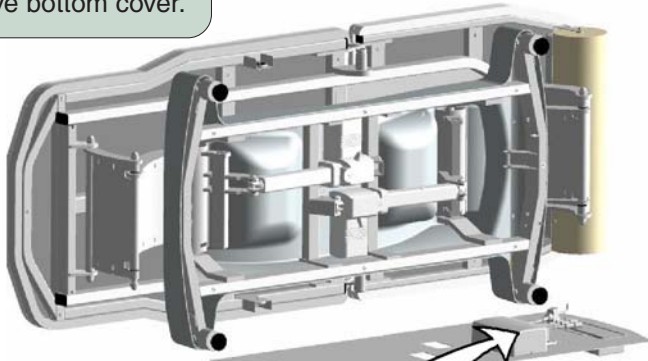
Problem: Noisy actuator(s)



Caution

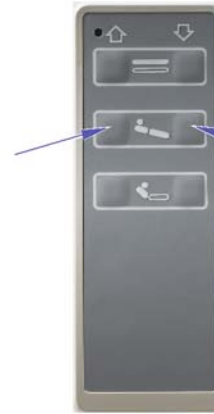
The power cord must be plugged in, and the power switch must be ON (I) during this test.

Step 1: Remove bottom cover.



MA688501i

Tilt Up



Tilt Down

Refer To:

Page

Lower Actuator Replacement B-9

Bottom Cover Removal C-3

Exploded Views / Parts List E-8



Caution

Keep the area around the table clear!
The table will move when performing Steps 2 & 3.

Step 2: Disconnect lower actuator wire (1).
Run Tilt Up & Tilt Down functions briefly.

If actuator (2) makes loud grinding noise...
Replace lower actuator (2).

If actuator (2) sounds OK...
Reconnect lower actuator wire (1).

Step 3: Disconnect lower actuator wire (2).
Run Tilt Up & Tilt Down functions briefly.

If actuator (1) makes loud grinding noise...
Replace lower actuator (1).

If actuator (1) sounds OK...
Reconnect lower actuator wire (2).

Models:
Serial Numbers:

All

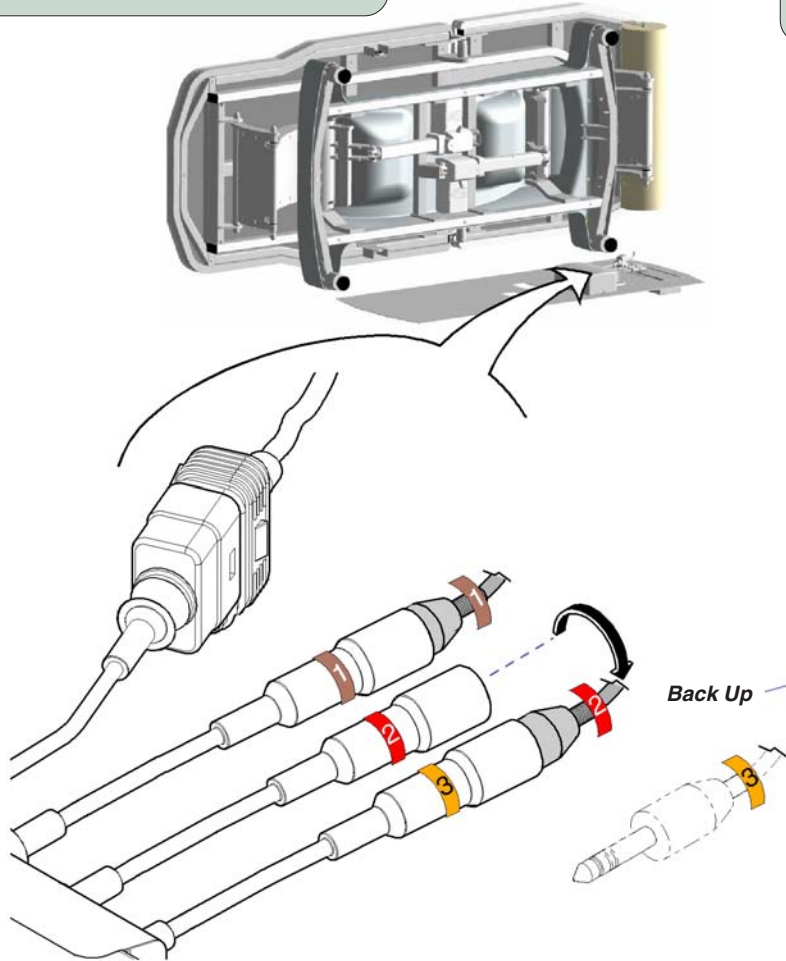
Tilt Up / Down

A-19

Operation & Troubleshooting

Refer To:	Page
Signal Voltage Test: <i>Tilt Function</i>	A-21
Lower Actuator Replacement	B-9
Bottom Cover Removal	C-3
Exploded Views / Parts List	E-8

Step 1: Remove bottom cover.



Step 2: Unplug back acuator wire (3).
Connect lower actuator wire (2) to control box wire (3).



Caution

Keep the area around the table clear!
The table may move when performing this step.

Step 3: Press the BACK UP button briefly, then release.
Press the BACK DOWN button briefly, then release.

Does lower actuator move when buttons are pressed?

If YES, lower actuator is OK.
If NO, replace actuator.

If **both** lower actuators are OK...
Go to Step 5.

Step 4: Connect lower actuator wire (1) to control box wire (3).
Then, repeat Step 3.

Step 5: Reconnect actuator wires (1, 2, & 3)
to corresponding control box wires.

Step 6: Perform *Signal Voltage Test: Tilt Function*.

Tilt Up / Down - continued

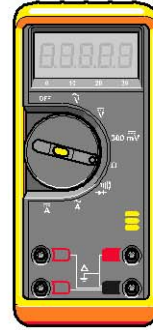
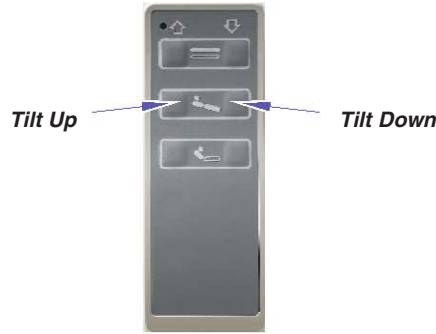
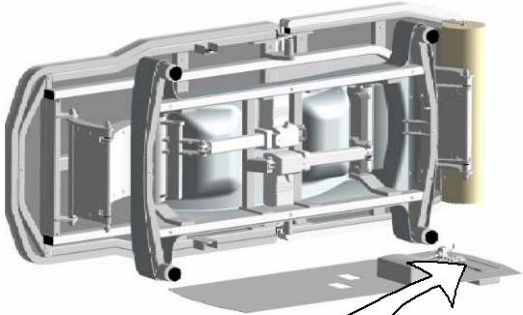
Signal Voltage Test: Tilt Function



Caution
The power cord must be plugged in, and the power switch must be ON (I) during this test.

Refer To:	Page
Control Box Replacement	B-7
Bottom Cover Removal	C-3
Exploded Views / Parts Lists	E-1

Step 1: Remove bottom cover.
Remove power inlet housing cover.



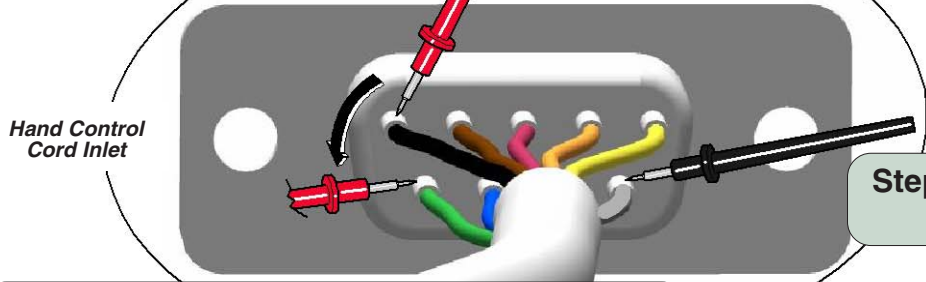
Step 2: Set meter to read DC voltage.

[Meter should indicate approx. 5 VDC, when hand control button is released. If not, refer to Limit Switch Circuit Test]

When specified hand control button is pressed, does voltage drop to approx. 0.7 VDC?
If YES, replace control box.
If NO, replace hand control.

Step 4: Place red probe on BLACK wire. Press Tilt Down button on hand control. Check meter as button is pressed & released.

Step 3: Place black probe on GREY wire (common).



Step 5: Move red probe to GREEN wire. Press Tilt Up button on hand control. Check meter as button is pressed & released.

MA6889001

Models:	All
Serial Numbers:	

Tilt Up / Down

Operation & Troubleshooting

Back Up / Down Function

Power To The Hand Control

[Refer to 'Power To The Table' (page A-2), for description of current flow to the hand control].

Signal Voltage

The hand control continuously supplies signal voltage (approx. 5 VDC) to the control box thru separate wires for each function.

Back Up Operation

When the Back Up button is pressed, the circuit for this function opens, stopping the flow of signal voltage to the control box. When the signal voltage for the Back Up function is removed, the control box supplies 24 VDC to the back actuator.

The back actuator extends, raising the back section.

Back actuator motor runs until:

1. Hand control button is released.
2. Back actuator is fully extended.
(internal limit switch - not serviceable)

Back Down Operation

When the Back Down button is pressed, the circuit for this function opens, stopping the flow of signal voltage to the control box. When the signal voltage for the Back Down function is removed, the control box supplies 24 VDC to the back actuator.

The back actuator retracts, lowering the back section.

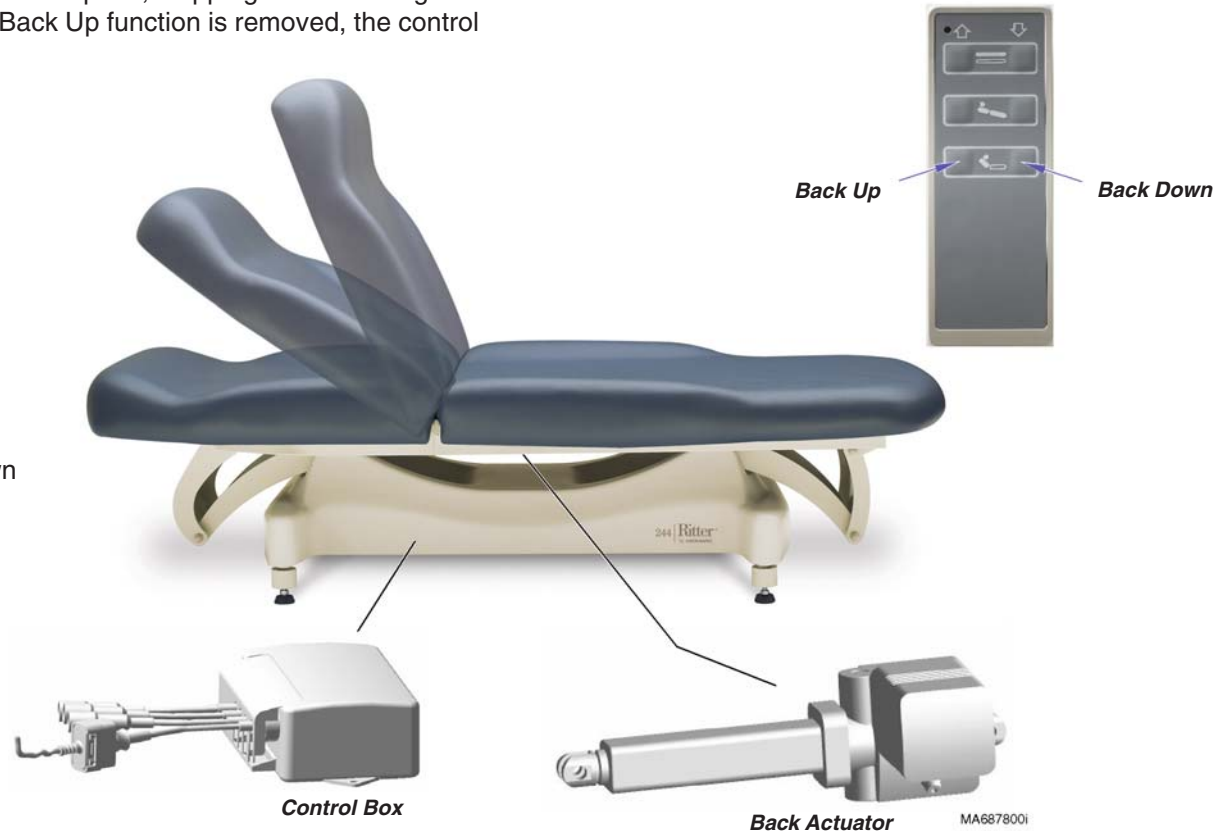
Back actuator motor runs until:

1. Hand control button is released.
2. Back actuator is fully retracted.
(internal limit switch - not serviceable)

Troubleshooting

[Back Up / Down Function]

<u>Problem</u>	<u>Page</u>
No Back UP and/or No Back DOWN: Base & Tilt functions do <u>not</u> work	A-3
Base & Tilt functions - OK	A-23
Back Drifts Down	A-24
Noisy Actuator	A-24



Back Up / Down - continued

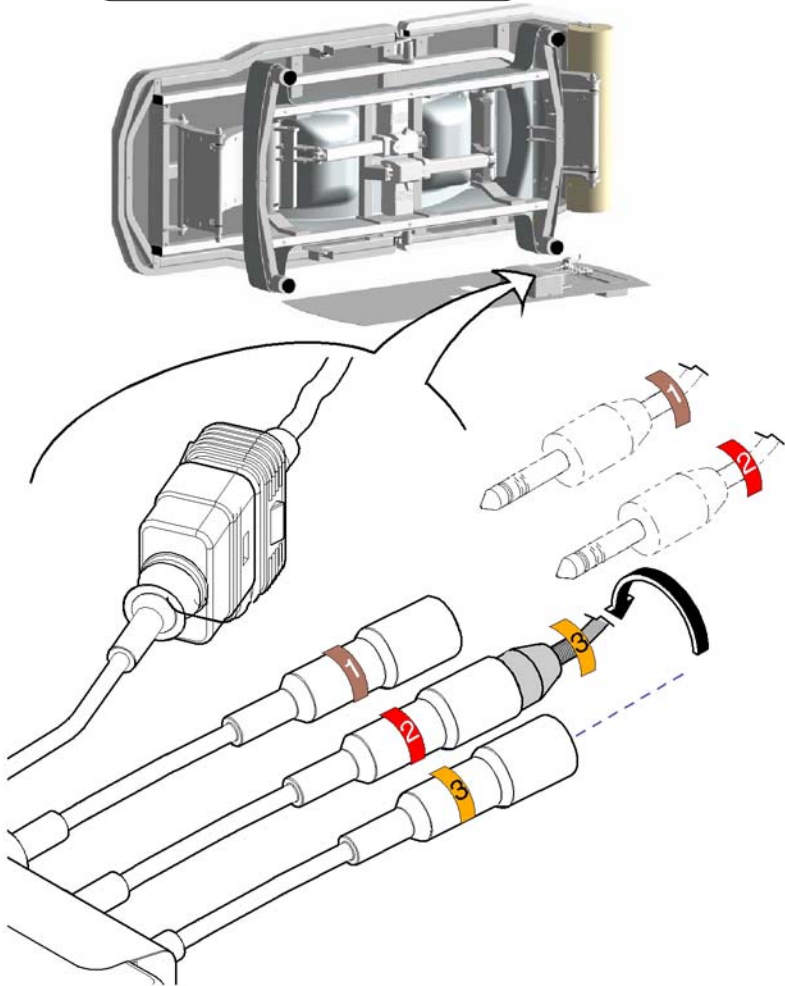
Problem: No Back Up and/or Back Down function.
(Base & Tilt functions - OK)



Caution

The power cord must be plugged in, and the power switch must be ON (I) during this test.

Step 1: Remove bottom cover.



Step 2: Unplug two lower actuator wires (1 & 2).
Connect back actuator wire (3) to control box wire (2).



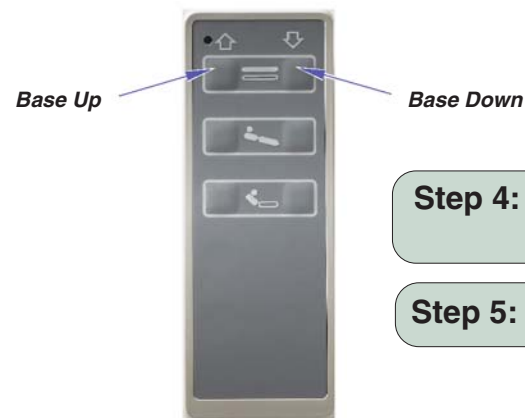
Caution

Keep the area around the table clear!
The table may move when performing this step.

Step 3: Press the BASE UP button briefly, then release.
Press the BASE DOWN button briefly, then release.

If back actuator moves...
Go to Step 4.

If back actuator does not move...
Perform *Wire Harness Extension Test*.



Step 4: Reconnect actuator wires (1, 2, & 3)
to corresponding control box wires.

Step 5: Perform *Signal Voltage Test: Back Function*.

Models:
Serial Numbers:

All

Back Up / Down

Operation & Troubleshooting

Refer To:	Page
Back Actuator Replacement	B-11
Exploded Views / Parts List	E-5

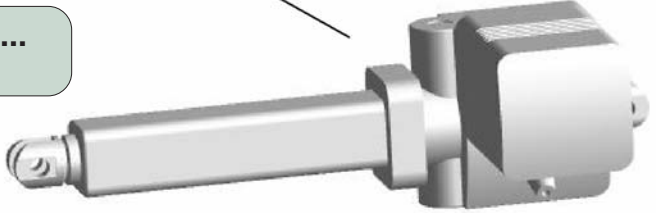
Back Up / Down - continued

Problem: Back section drifts down.
-or -
Noisy actuator.

If back section drifts down...
Replace back actuator.



If back actuator makes loud grinding noise...
Replace back actuator.



MA689000i

Back Up / Down - continued

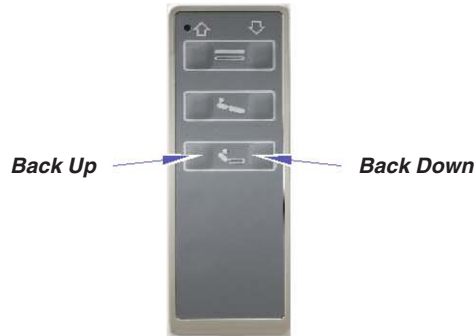
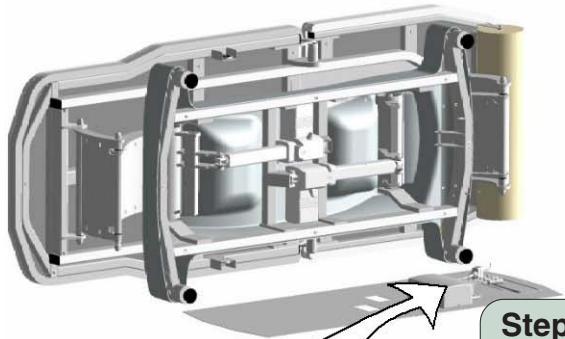
Signal Voltage Test: Back Function



Caution
The power cord must be plugged in, and the power switch must be ON (I) during this test.

Refer To:	Page
Control Box Replacement	B-7
Bottom Cover Removal	C-3
Exploded Views / Parts Lists	E-1

Step 1: Remove bottom cover.
Remove power inlet housing cover.



Step 2: Set meter to read DC voltage.



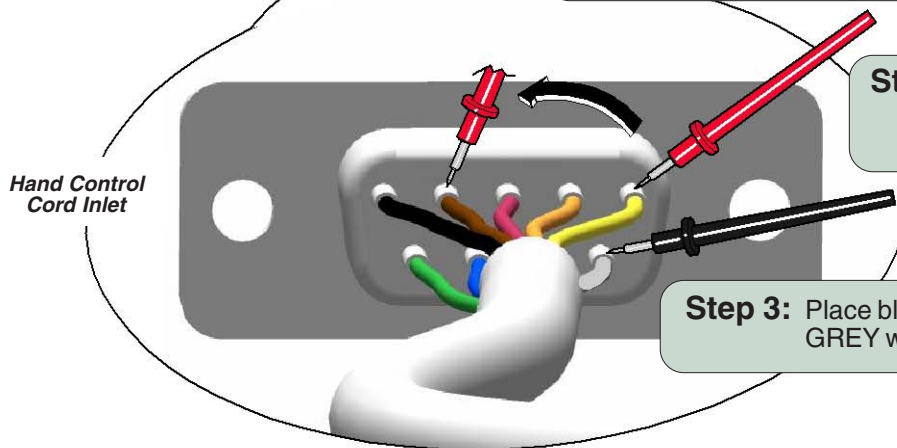
[Meter should indicate approx. 5 VDC, when hand control button is released. If not, refer to Limit Switch Circuit Test]

Step 5: Move red probe to BROWN wire.
Press Back Up button on hand control.
Check meter as button is pressed & released.

When specified hand control button is pressed, does voltage drop to approx. 0.7 VDC?
If YES, replace control box.
If NO, replace hand control.

Step 4: Place red probe on YELLOW wire.
Press Back Down button on hand control.
Check meter as button is pressed & released.

Step 3: Place black probe on GREY wire (common).



MA689100i

Models:
Serial Numbers:

All


Back Up / Down

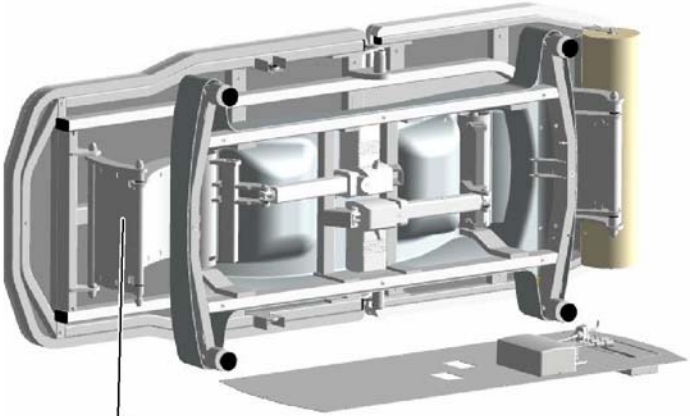
Operation & Troubleshooting

Refer To: Page
Seat Section Cover Removal C-9

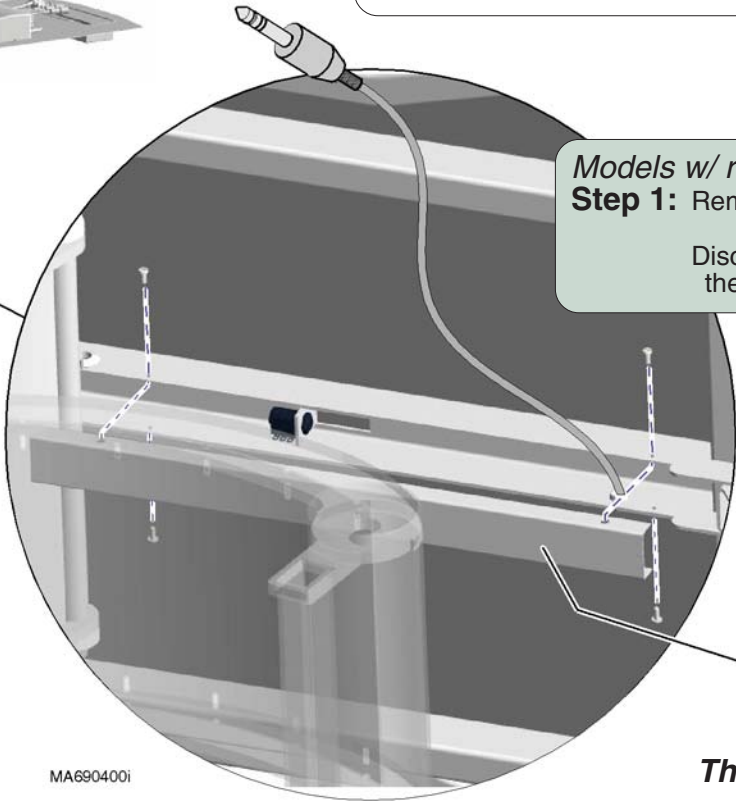
Back Up / Down - continued

Wire Harness Extension Test

 **Caution**
The power cord must be plugged in, and the power switch must be ON (I) during this test.



Attention:
Early models do not have a removable channel cover.
To access the electrical connector, remove the seat section cover.
Refer to: *Section C - Seat Section Cover*.



Models w/ removable channel cover:
Step 1: Remove four screws & channel cover.
Disconnect back actuator wire from the electrical connector.

Channel Cover

MA6904001

This test is continued on the following page...

Back Up / Down - continued

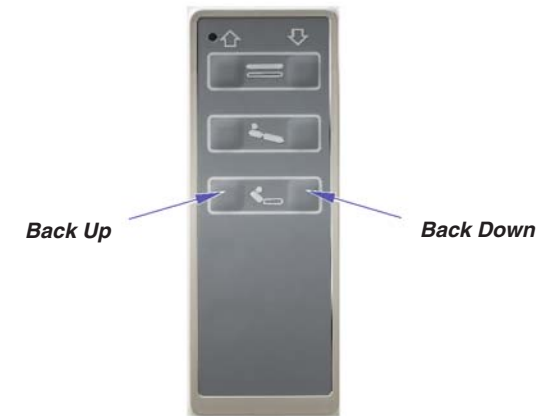
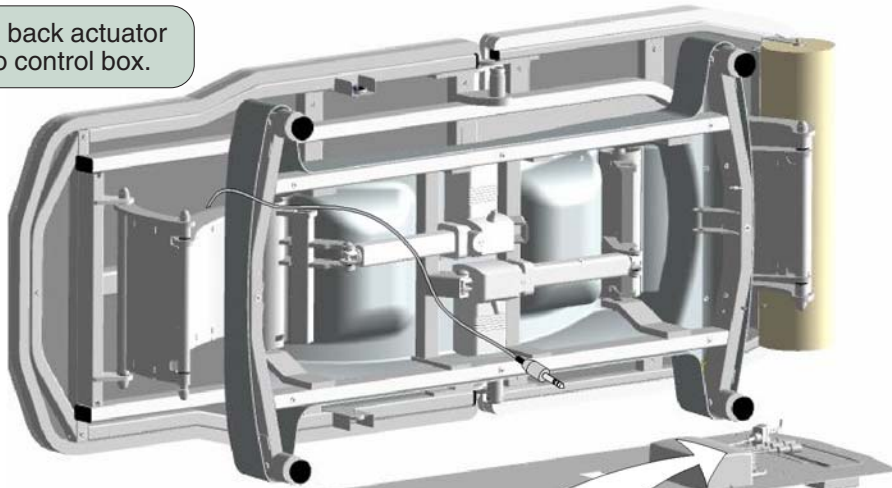
Wire Harness Extension Test - continued



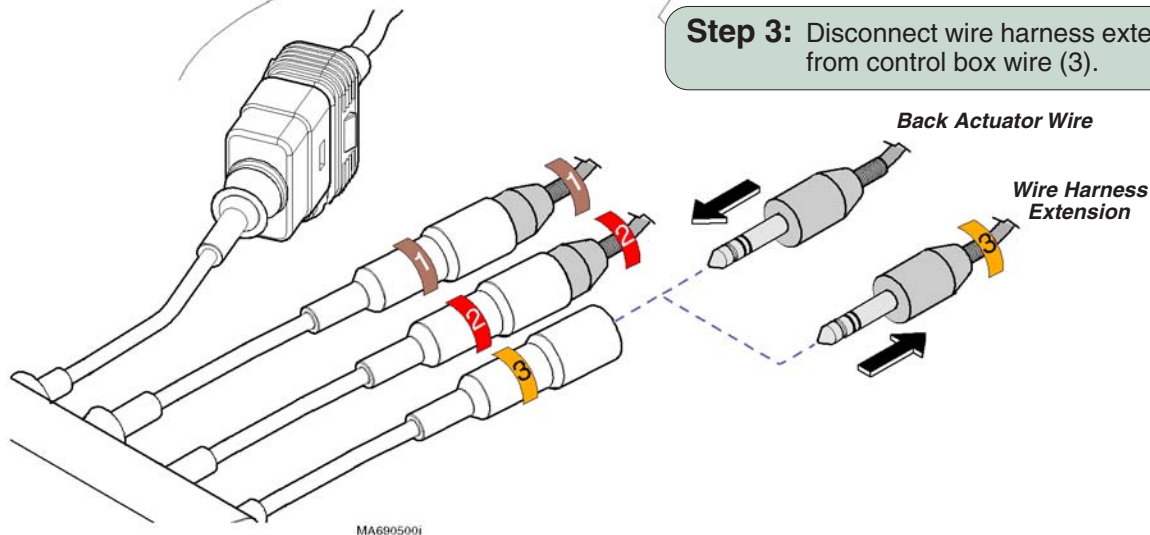
Caution

The power cord must be plugged in, and the power switch must be ON (I) during this test.

Step 2: Route back actuator wire to control box.



Step 3: Disconnect wire harness extension (3) from control box wire (3).



Step 4: Connect back actuator wire to control box wire (3).

Step 5: Press BACK UP / DOWN button.

If actuator works...
Replace the wire harness extension.

If actuator does not work...
Replace the back actuator.

Models:
Serial Numbers:

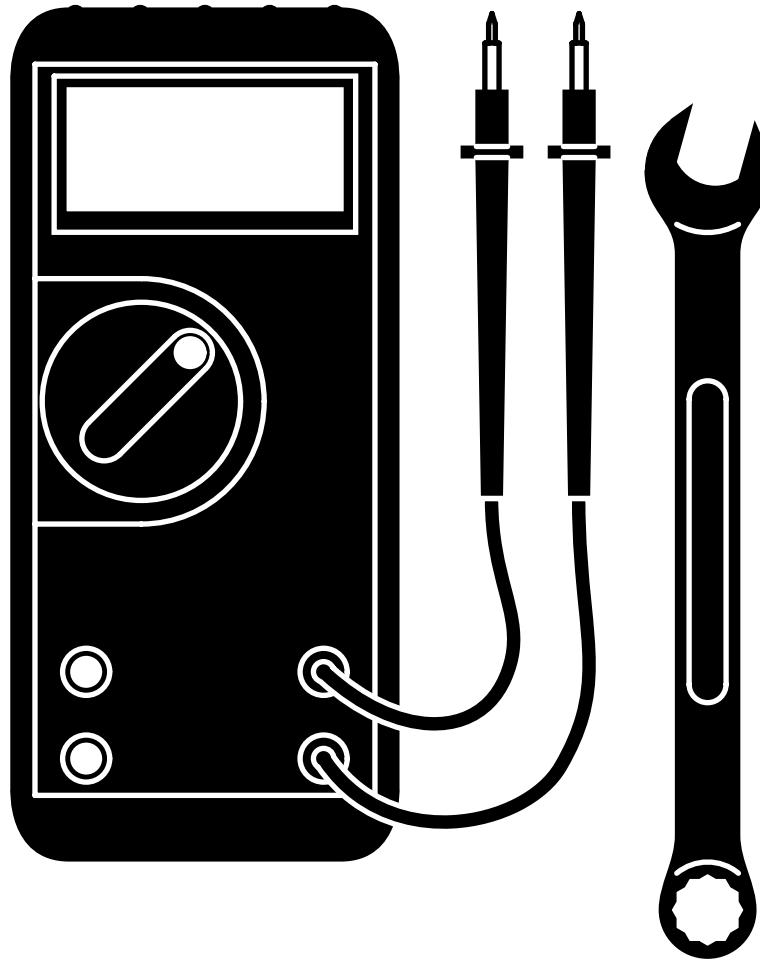
All

Back Up / Down

Section B

Component Testing & Repair

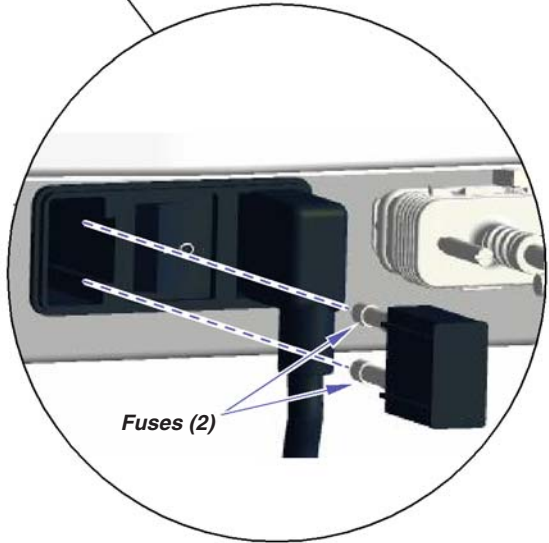
<u>Components</u>	<u>Page</u>
Fuses	B-2
Power Inlet	B-3
Base Cover Limit Switches	B-4
Control Box	B-6
Lower Actuators	B-8
Back Actuator	B-10



Component Testing & Repair

Fuses

Location

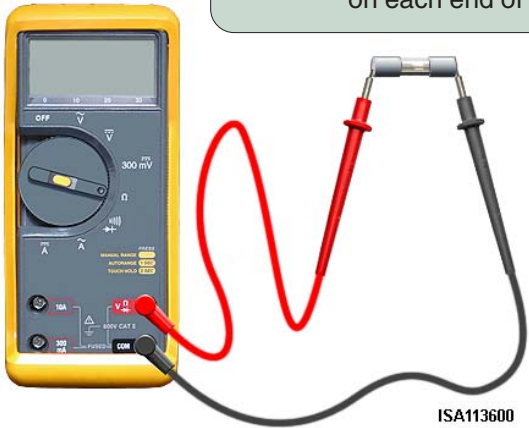


MA690300i

Fuse Test

Step 1: Set meter to 200 Ω.

Step 2: Place meter probes on each end of fuse.



Fuses	Page
Location	B-2
Fuse Test	B-2
Wiring Diagrams	D-1
Fuse Rating	6.3A, 250V Type T, 5 x 20mm
Part Number	015-0346-20

Meter Reading	Status	Required Action
OL		Replace both fuses.
less than 5 Ω		Fuse - OK

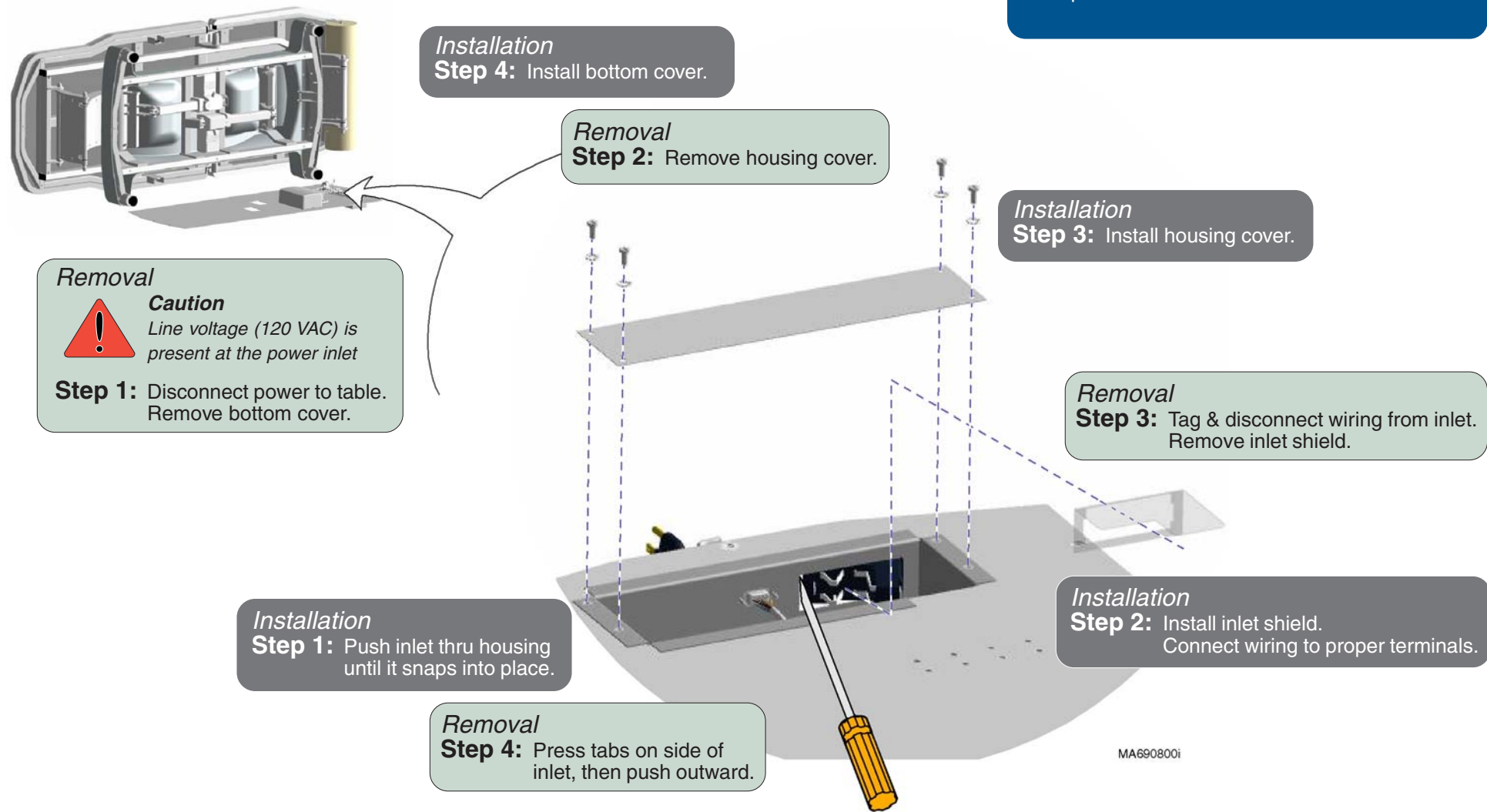
Component Testing & Repair

Power Inlet

Replacement

NOTE: If a problem is suspected, refer to *Section A: Power To The Table* for troubleshooting steps.

<u>Power Inlet</u>	<u>Page</u>
Replacement	B-3
Bottom Cover Removal	C-3
Wiring Diagrams	D-1
Exploded Views / Part Numbers	E-9



Models: | **All**
Serial Numbers: |

Power Inlet

Component Testing & Repair

Base Cover Limit Switches

Function / Location / Access

NOTE: The base cover limit switches prevent injury and/or equipment damage by disabling all table functions if any pressure is applied to the base cover.

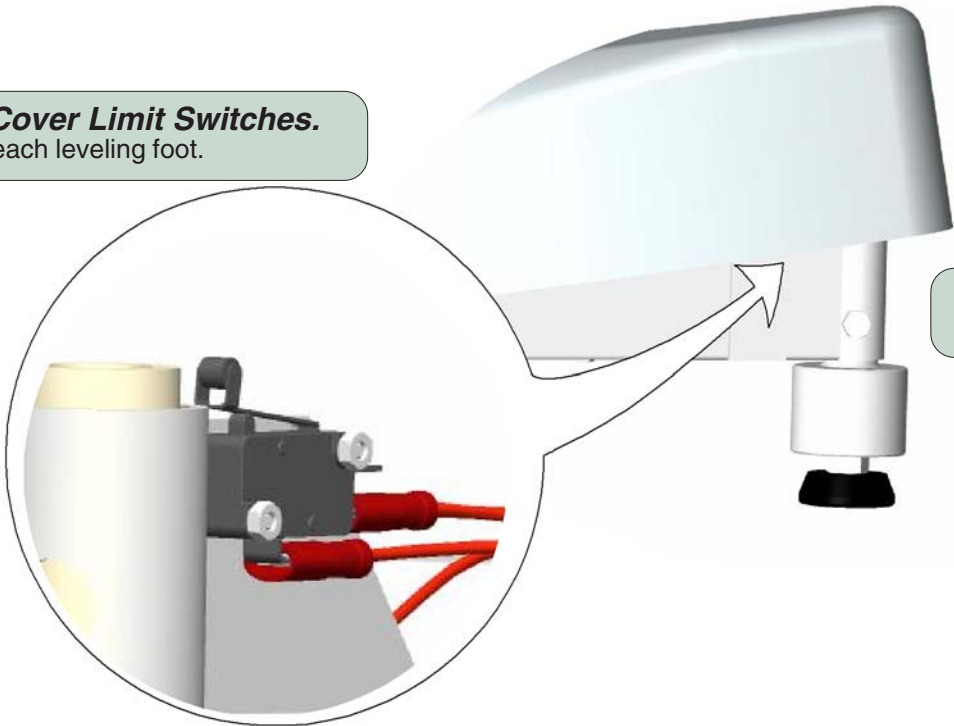
The control box supplies approximately 5 VDC to the four base cover limit switches. During normal operating conditions, current flows thru all four normally-closed switches, then to the hand control inlet.

If pressure is applied to the spring-loaded base cover, one or more of the limit switches will be tripped. When any of the limit switches are tripped, there is no current supplied to the hand control, and no table functions will operate.

If a problem is suspected, refer to *Section A: Power To The Table* for troubleshooting steps.

<u>Base Cover Limit Switches</u>	<u>Page</u>
Function / Location / Access	B-4
Limit Switch Test	B-5
Wiring Diagrams	D-1
Exploded Views / Part Numbers	E-10

There are four Base Cover Limit Switches.
One limit switch located at each leveling foot.



To access a limit switch...
Lift the base cover at the leveling foot.

MA686100i

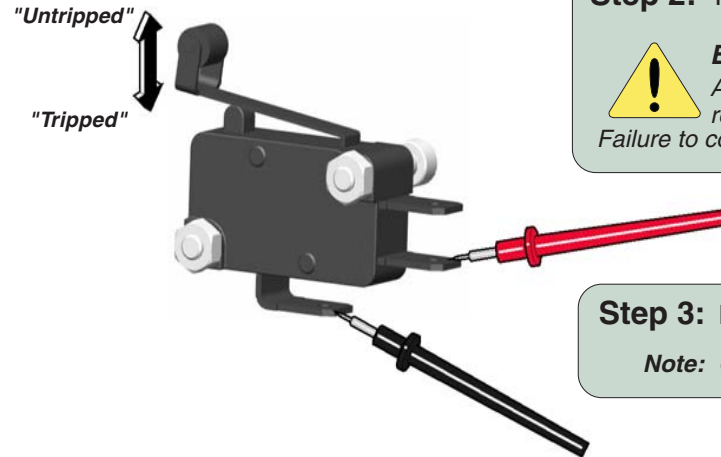
Component Testing & Repair

Base Cover Limit Switches - continued

Limit Switch Test

NOTE: It is possible to perform this test without removing the switch.

Step 1: Set meter to 200 Ω .



Step 2: Tag & disconnect wires from switch terminals.



Equipment Alert

After testing the switch, the wires must be reconnected to the same switch terminals. Failure to comply will result in table malfunction.

Step 3: Place meter probes on switch terminals as shown.

Note: Check switch 'tripped' and 'untripped'.

With switch 'tripped'...

Meter Reading	Status	Required Action
OL		Limit switch - OK
less than 5 Ω		Replace switch

With switch 'untripped'...

Meter Reading	Status	Required Action
OL		Replace switch
less than 5 Ω		Limit switch - OK

Models:
Serial Numbers:

All

**Base Cover
Limit Switches**

Component Testing & Repair

Control Box

Function / Location

NOTE: If a problem is suspected, refer to Section A for troubleshooting steps.

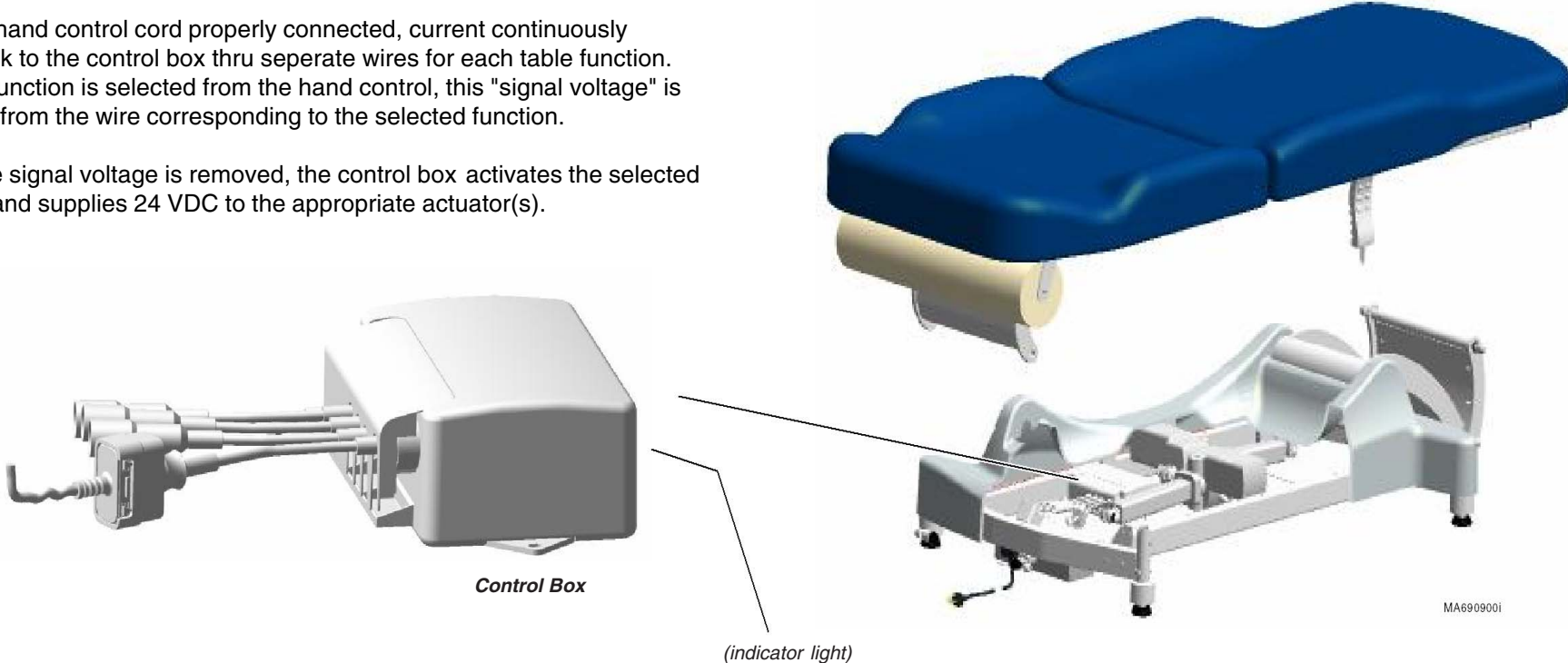
Line voltage (115 VAC) is supplied to the control box thru the two fuses in the power inlet. (An indicator light on the control box illuminates when power is present). The control box reduces the voltage and supplies approximately 5 VDC to the base cover limit switch circuit.

During normal operating conditions, current flows thru all four normally-closed switches, then to the hand control.

With the hand control cord properly connected, current continuously flows back to the control box thru separate wires for each table function. When a function is selected from the hand control, this "signal voltage" is removed from the wire corresponding to the selected function.

When the signal voltage is removed, the control box activates the selected function and supplies 24 VDC to the appropriate actuator(s).

<u>Control Box</u>	<u>Page</u>
Function / Location	B-6
Replacement	B-7
Wiring Diagrams	D-1
Exploded Views / Part Numbers	E-9

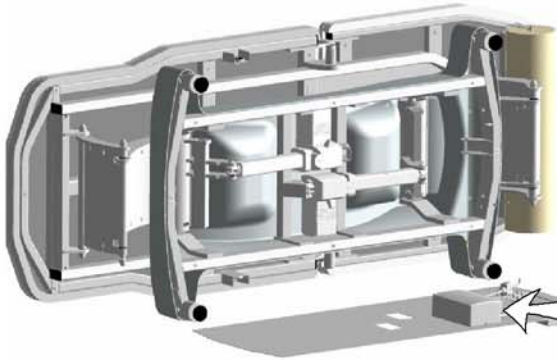


Control Box - continued

Replacement

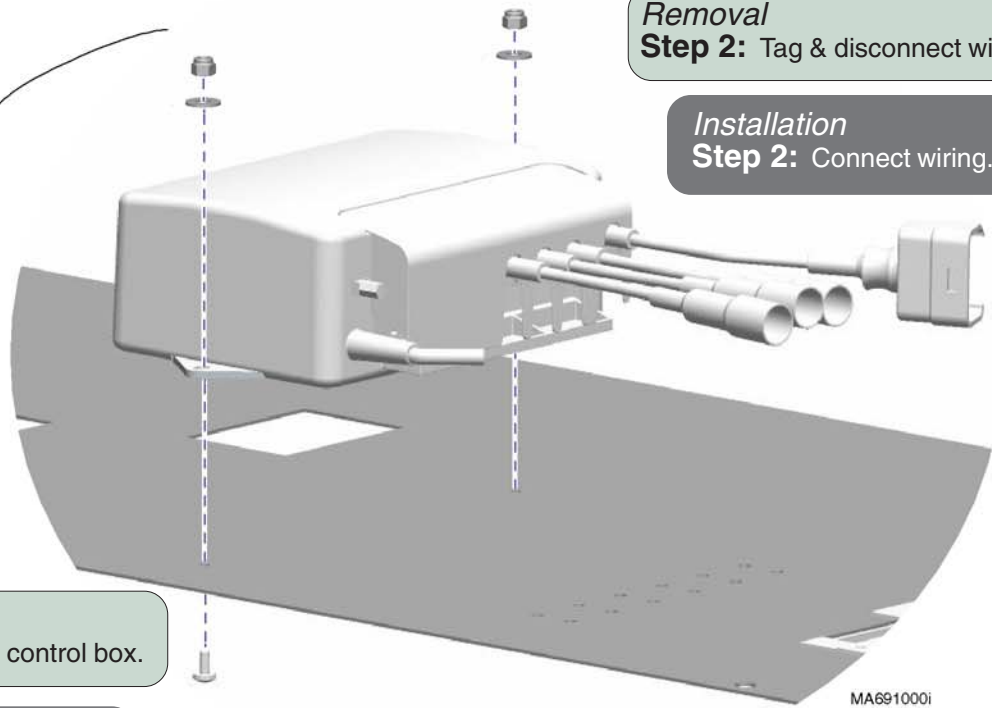
Refer to:	Page
Bottom Cover Removal	C-3

Removal
Step 1: Disconnect power to table.
Remove bottom cover.



Removal
Step 2: Tag & disconnect wiring.

Installation
Step 2: Connect wiring.



Removal
Step 3: Remove control box.

Installation
Step 1: Install control box.

Models:	All
Serial Numbers:	

Control Box

Component Testing & Repair

Lower Actuators

Function / Location

NOTE: If a problem is suspected, refer to Section A for troubleshooting steps.

Under normal operating conditions, the hand control continuously supplies 5 VDC to the control box thru separate wires for each table function. When a function is selected from the hand control, this "signal voltage" is removed from the wire corresponding to the selected function.

When the signal voltage is removed, the control box activates the selected function and supplies 24 VDC to the appropriate actuator(s).

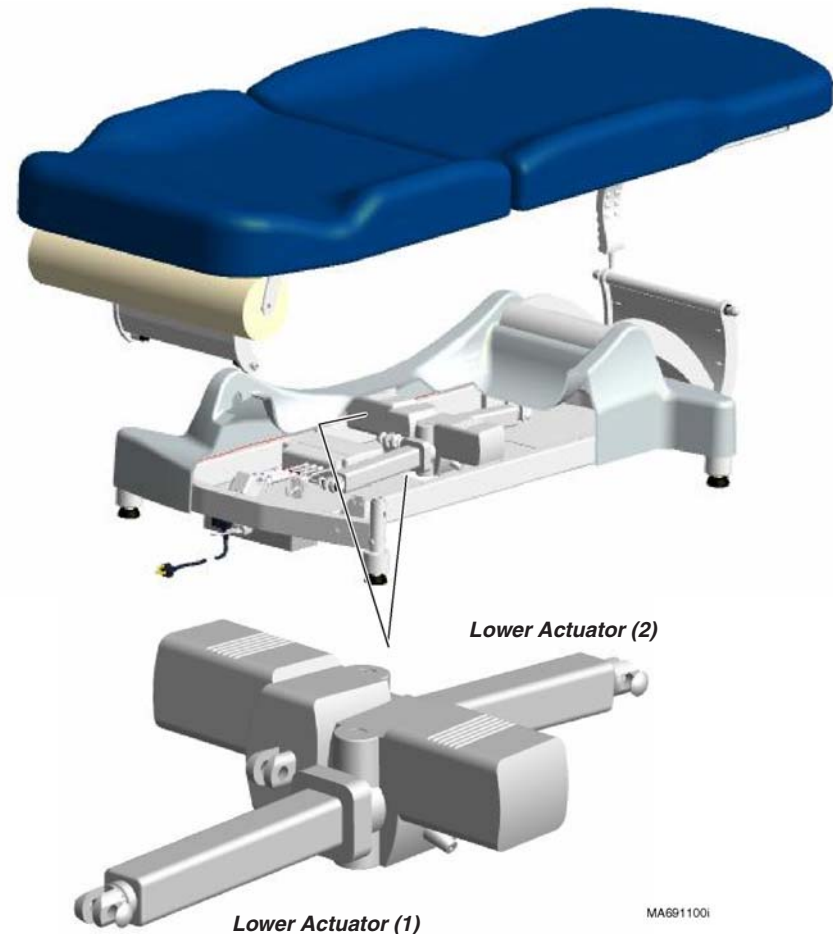
Both actuator motors run until:

1. Hand control button is released.
2. Actuators reach their max. / min. limits
(internal limit switches - not serviceable)

The lower actuators work in conjunction with each other to achieve the selected function. (See below)

Function	Action
Base UP:	Both lower actuators extend
Base Down:	Both lower actuators retract
Tilt Up:	Lower actuator (1) retracts Lower actuator (2) extends
Tilt Down:	Lower actuator (1) extends Lower actuator (2) retracts

Lower Actuators	Page
Function / Location	B-8
Replacement	B-9
Wiring Diagrams	D-1
Exploded Views / Part Numbers	E-8



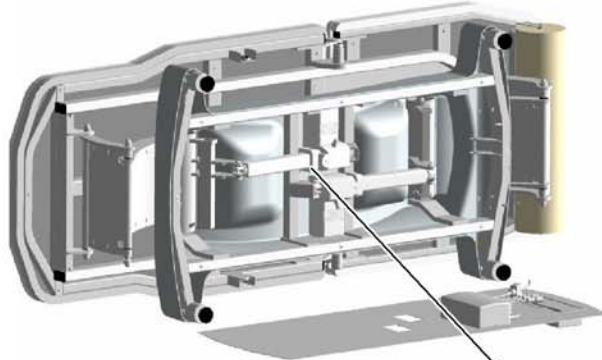
Component Testing & Repair

Lower Actuators - continued

Replacement

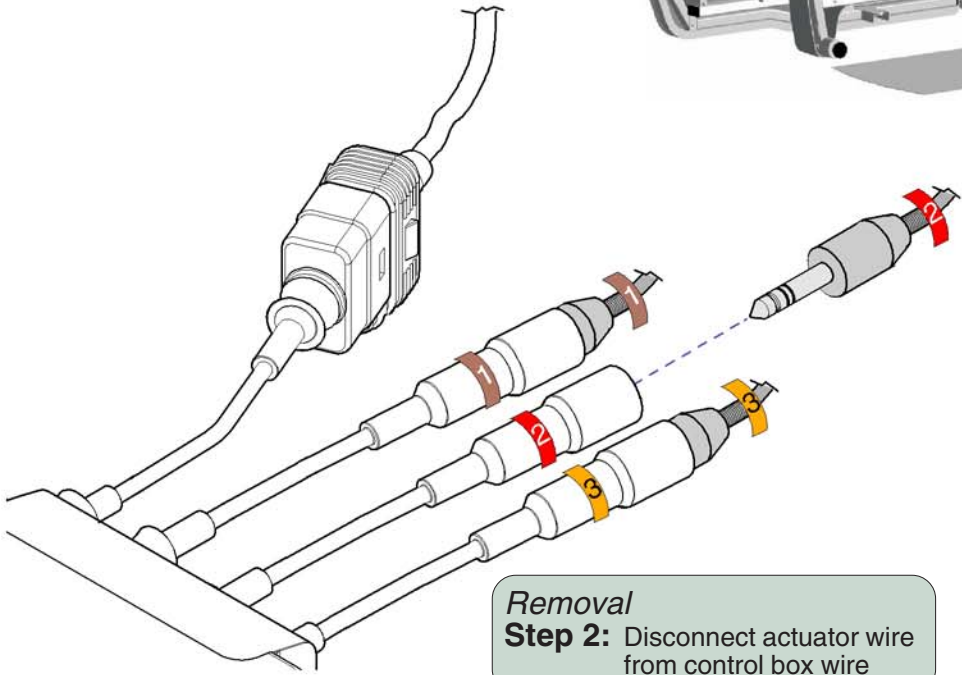
Refer to:	Page
Bottom Cover Removal	C-3

Removal
Step 1: Disconnect power to table.
Remove bottom cover.



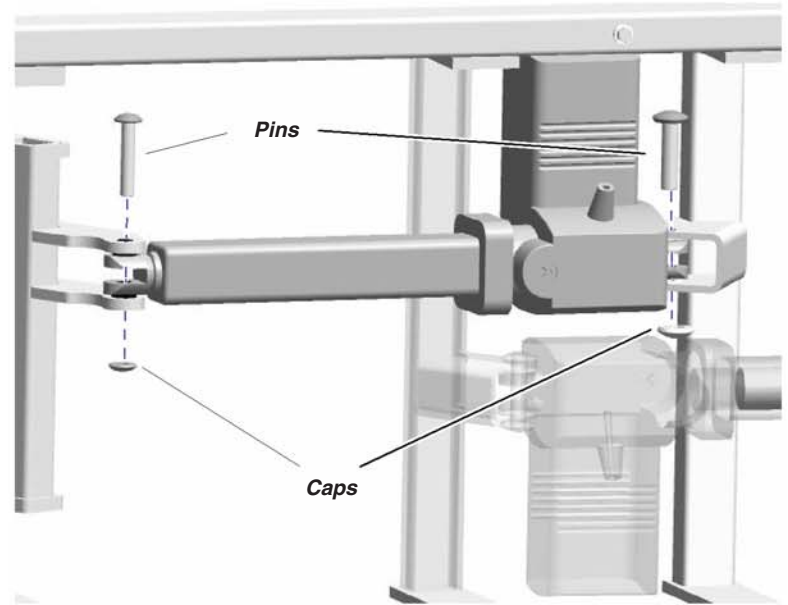
Installation
Step 1: Position actuator.
Install two pins and caps.

Removal
Step 3: Pry off two caps.
Remove two pins and actuator.



Removal
Step 2: Disconnect actuator wire
from control box wire

Installation
Step 2: Connect actuator wire
to control box wire.



MA691200i

Models:	All
Serial Numbers:	

Lower Actuators

Component Testing & Repair

Back Actuator

Function / Location

NOTE: If a problem is suspected, refer to Section A for troubleshooting steps.

Under normal operating conditions, the hand control continuously supplies 5 VDC to the control box thru separate wires for each table function. When a function is selected from the hand control, this "signal voltage" is removed from the wire corresponding to the selected function.

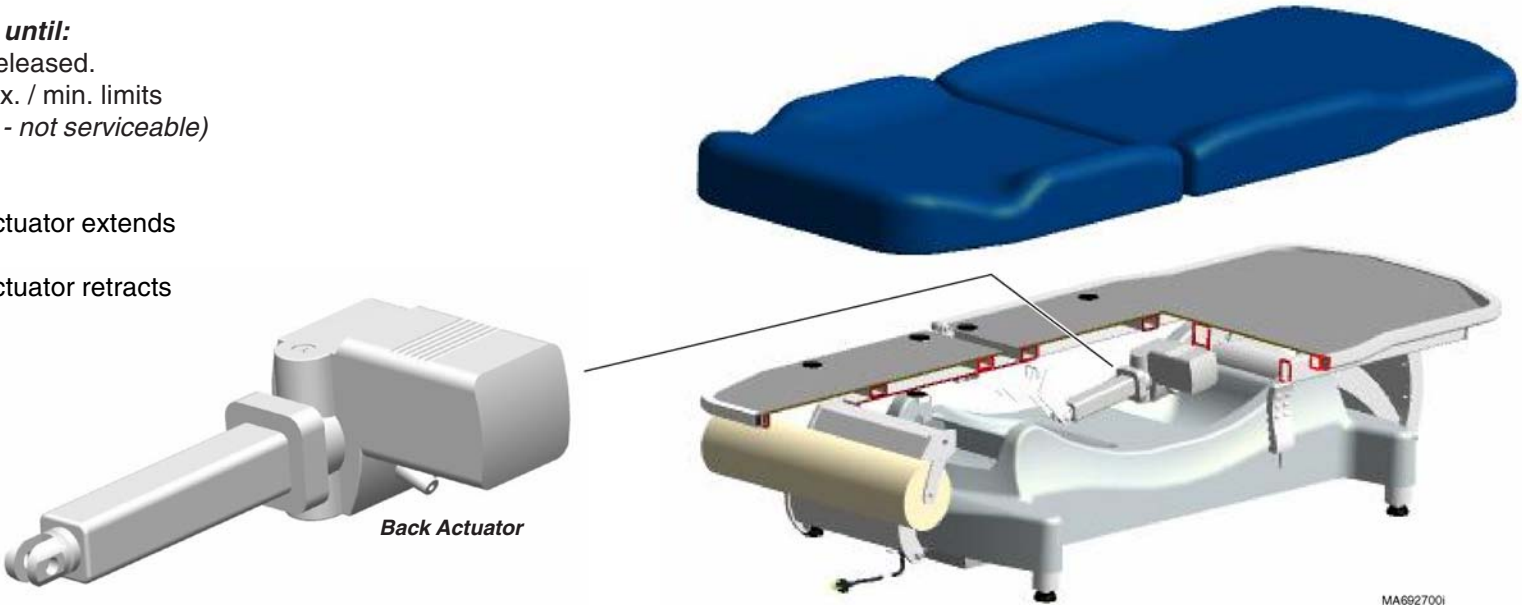
When the signal voltage is removed, the control box activates the selected function and supplies 24 VDC to the actuator.

Back actuator motor runs until:

1. Hand control button is released.
2. Actuator reaches its max. / min. limits
(internal limit switches - not serviceable)

Function	Action
Back UP:	Back actuator extends
Back Down:	Back actuator retracts

<u>Back Actuator</u>	<u>Page</u>
Function / Location	B-10
Actuator Replacement	B-11
Wire Harness Ext. Replacement	B-12
Wiring Diagrams	D-1
Exploded Views / Part Numbers	E-5



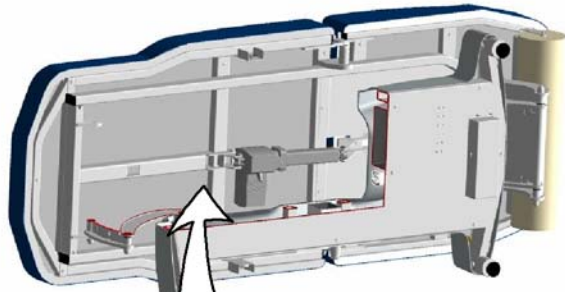
Back Actuator - continued

Actuator Replacement

Refer to:	Page
Bottom Cover Removal	C-3

NOTE: This procedure may be performed with the table upright.

Removal
Step 1: Disconnect power to table.

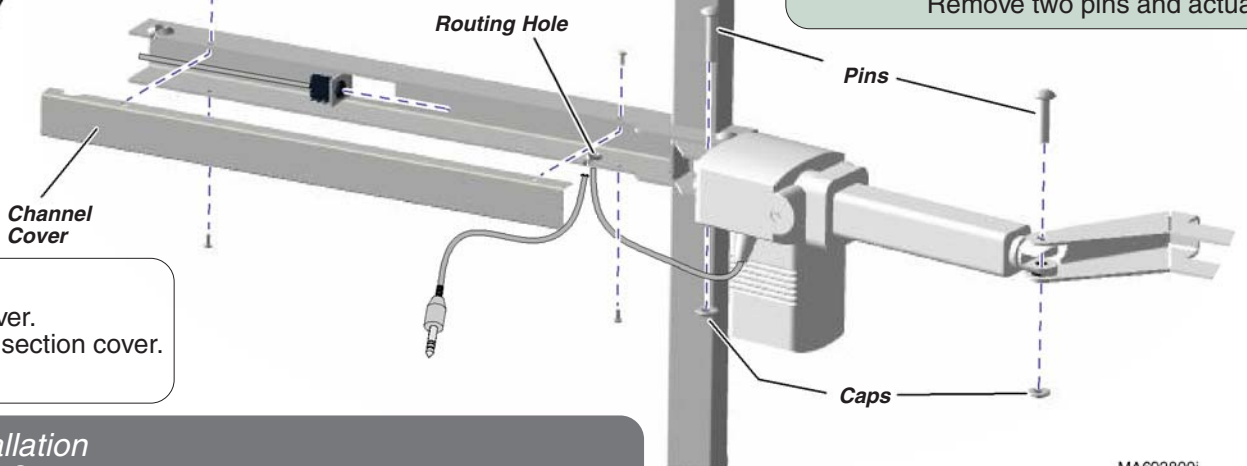


Models w/ removable channel cover:
Step 2: Remove four screws & channel cover.

Disconnect back actuator wire from the electrical connector.

Pull actuator wire out thru routing hole.

Attention:
Early models do not have a removable channel cover.
To access the electrical connector, remove the seat section cover.
Refer to: *Section C - Seat Section Cover*.



Installation
Step 1: Position actuator.
Install two pins and caps.

Removal
Step 3: Pry off two caps.
Remove two pins and actuator.

Installation
Step 2: Insert actuator wire thru routing hole.
Connect actuator wire to electrical connector.
Replace channel cover & secure w/ four screws.

MA692800i

Models:	All
Serial Numbers:	

Back Actuator

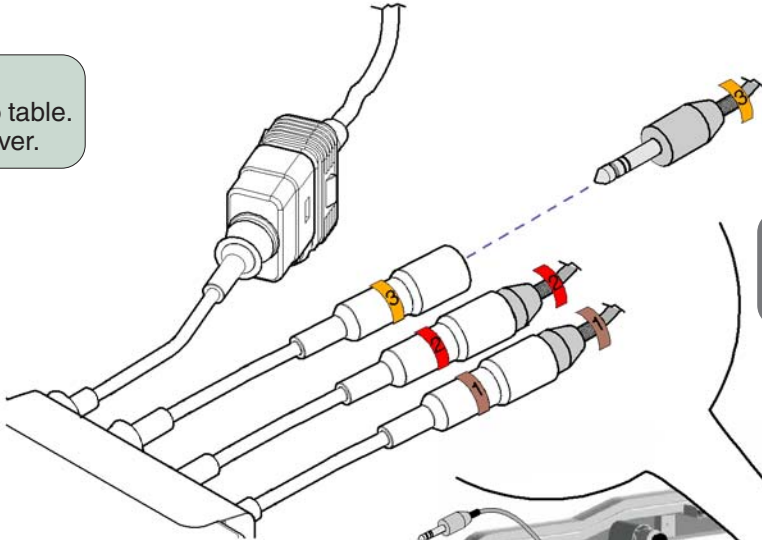
Component Testing & Repair

Back Actuator - continued

Wire Harness Extension Replacement

Refer to:	Page
Bottom Cover Removal	C-3

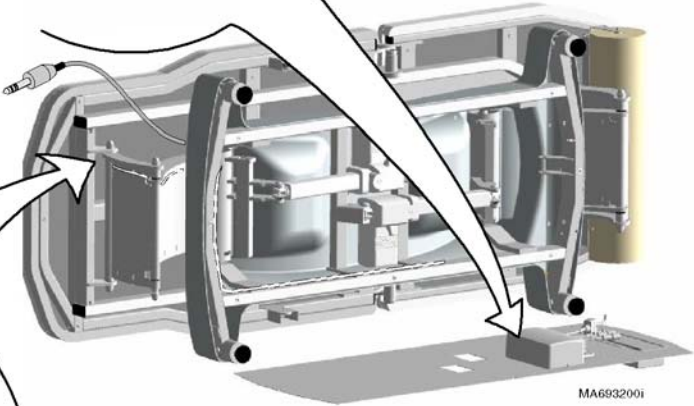
Removal
Step 1: Disconnect power to table.
Remove bottom cover.



Removal
Step 2: Disconnect wire harness extension (3) from control box wire (3).

Installation
Step 1: Connect wire harness extension (3) to control box wire (3).

Removal
Step 3: Cut all wire ties securing the wire harness extension. Pull harness extension thru up thru base cover.



Installation
Step 2: Route wire harness extension up to the electrical connector channel. Replace all wire ties cut during *Removal* procedure.

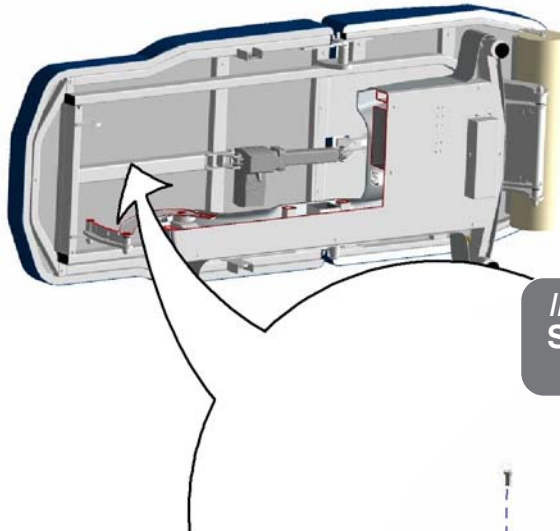
Installation
Step 3: Go to page B-14 for Step 3.

Procedure continued on the following page...

Back Actuator - continued

Wire Harness Extension Replacement - continued

Refer to:	Page
Seat Section Cover Removal	C-9

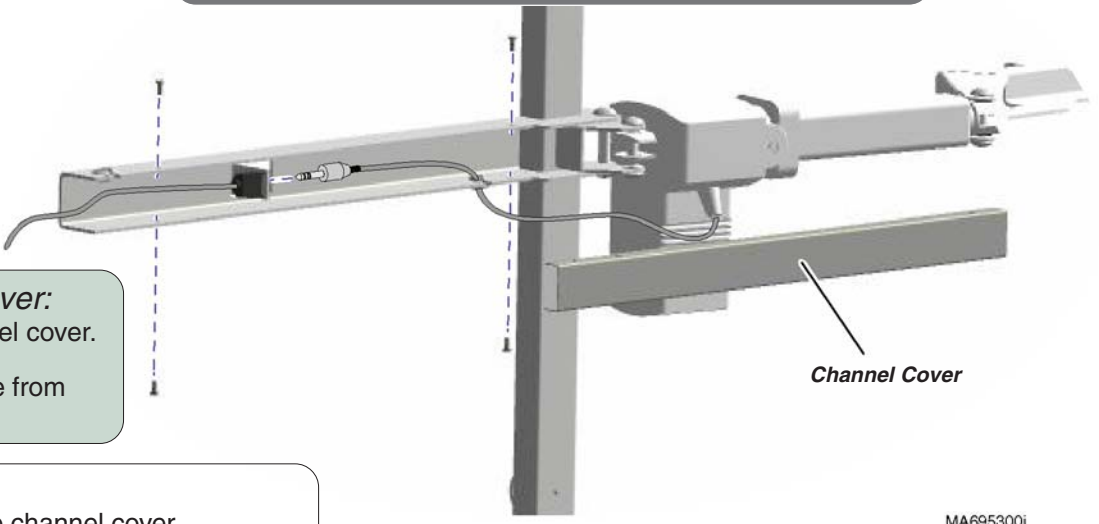


Installation
Step 5: Connect back actuator wire to electrical connector.
Install channel cover.

Models w/ removable channel cover:
Step 4: Remove four screws & channel cover.

Disconnect back actuator wire from the electrical connector.

Attention:
Early models do not have a removable channel cover.
To access the electrical connector, remove the seat section cover.
Refer to: *Section C - Seat Section Cover*.



MA695300i

Procedure continued on the following page...

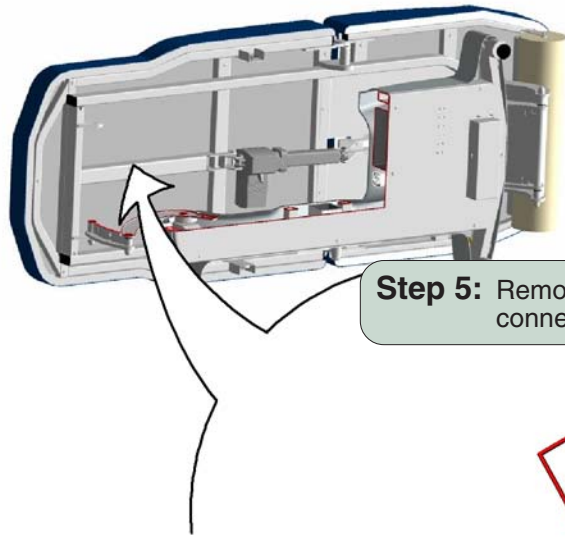
Models:	All
Serial Numbers:	

Back Actuator

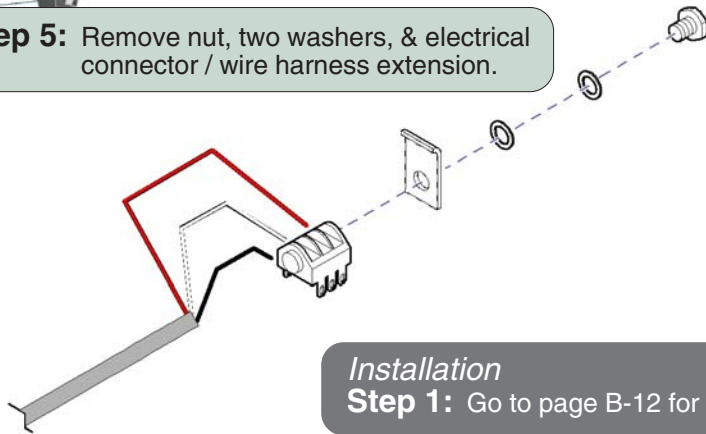
Component Testing & Repair

Back Actuator - continued

Wire Harness Extension Replacement - continued



Step 5: Remove nut, two washers, & electrical connector / wire harness extension.

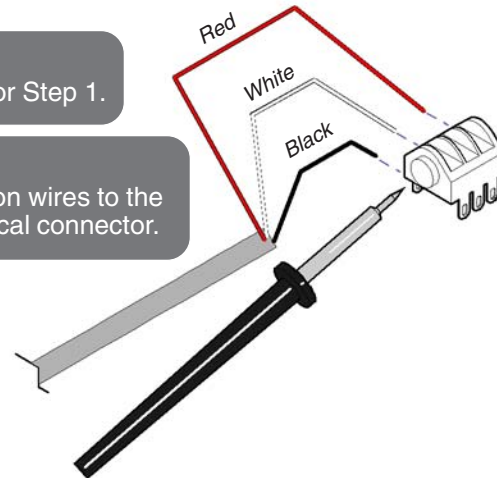


Installation
Step 4: Position electrical connector, then secure with two washers & nut.

Installation
Step 5: Go to page B-13 for Step 5.

Installation
Step 1: Go to page B-12 for Step 1.

Installation
Step 3: Solder three harness extension wires to the proper terminals of the electrical connector.

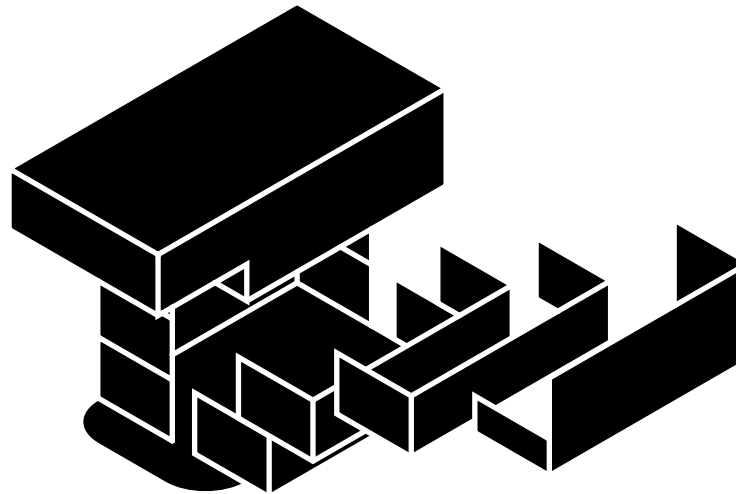
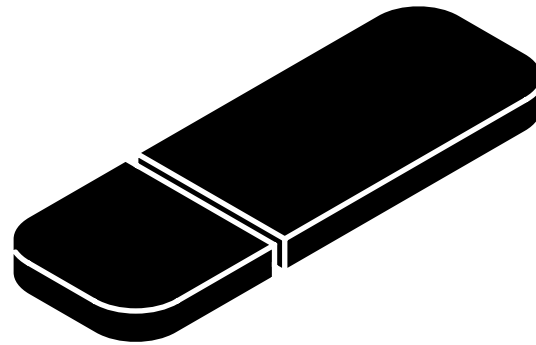


MA695400i

Section C

Access Procedures

<u>Removing & Installing:</u>	<u>Page</u>
Upholstery	C-2
Bottom Cover	C-3
Base Cover	C-4
Seat Section Cover	C-9



Access Procedures

Upholstery

Removal / Installation

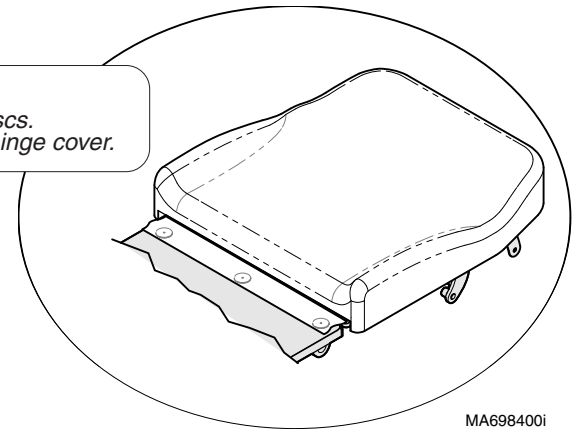
Refer To: [Page](#)
Exploded Views / Part Numbers E-3

Back Section Removal
Step 1: Pull back section up to release velcro.



Back Section Installation
Step 1: Position head-end of back section against mounting board.
Lay upholstery flat, then press down firmly to engage velcro.

Attention
Hinge cover lays flat over first row of velcro discs.
Seat section upholstery is installed on top of hinge cover.



MA698400i

Seat Section Removal
Step 1: Pull seat section up to release velcro.



MA691300i

Seat Section Installation
Step 1: Position foot-end of seat section against mounting board.
Lay upholstery flat, then press down firmly to engage velcro.

Upholstery

Models: | **All**
Serial Numbers: |

Bottom Cover

Removal / Installation

Removal

Step 1: Remove seat & back upholstery.
Disconnect table power cord.

Removal



Caution

The table weighs 340 lbs (154 kg).
Use an assistant to perform Step 2.

Step 2: Carefully lay the table onto its side.

Installation

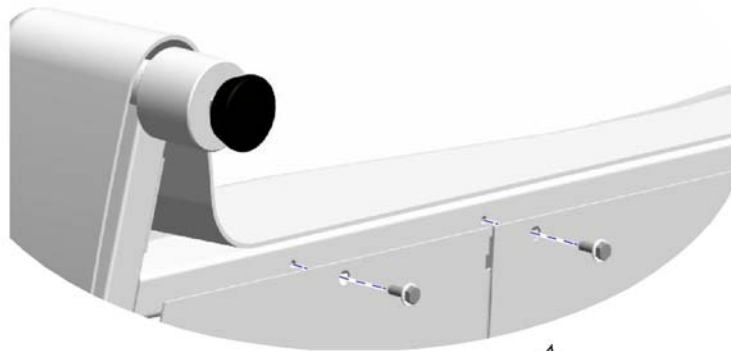
Step 2: With the help of an assistant,
stand table upright.

Refer To:

Page

Upholstery Removal / Installation C-2

Exploded Views / Part Numbers E-3



Removal

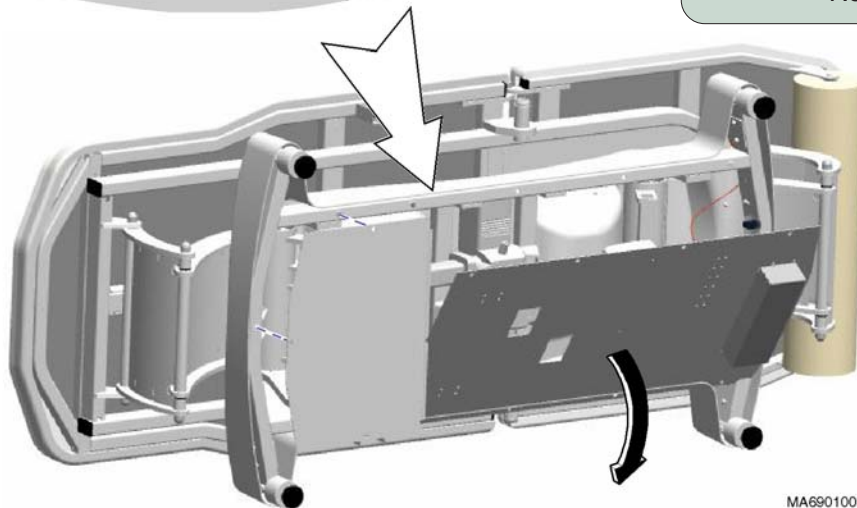
Note: Be careful not to damage wire connections when laying large cover down. Cut cable ties as necessary.

Step 3: To remove large cover:

Remove screws.
Carefully lay large cover down.

To remove small cover:

Remove screws & small cover.



Installation

Note: Replace any cable ties cut during cover removal.

Step 1: Hold cover(s) in position.
Secure with screws.

MA690100i

Models:
Serial Numbers:

All

Bottom Cover

C-3

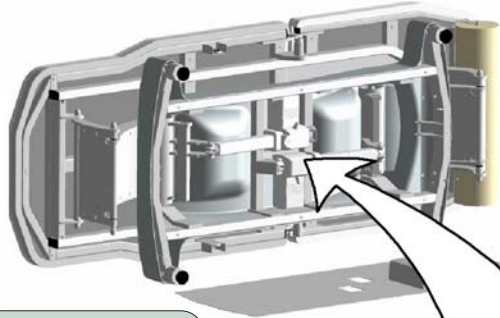
Access Procedures

Base Cover

Removal / Installation

ATTENTION: This procedure should only be performed when replacing the base cover. All components can be accessed by simply removing the bottom cover.

Refer To: **Page**
Bottom Cover Removal / Installation C-3
Exploded Views / Part Numbers E-1

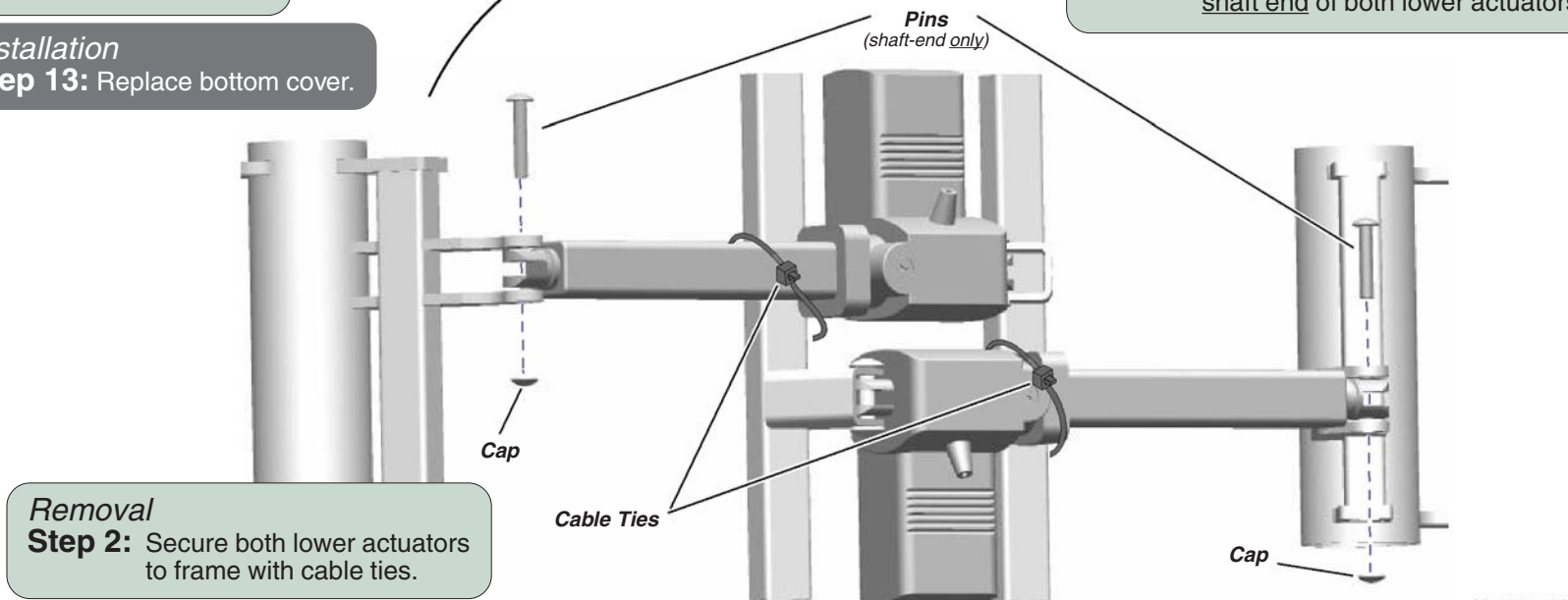


Removal
Step 1: Remove bottom cover.

Installation
Step 13: Replace bottom cover.

Installation
Step 12: Secure both lower actuators with pins & caps.

Removal
Step 3: Remove caps & pins from shaft end of both lower actuators.



Removal
Step 2: Secure both lower actuators to frame with cable ties.

Installation
Step 11: Cut cable ties securing lower actuators.

MA693100i

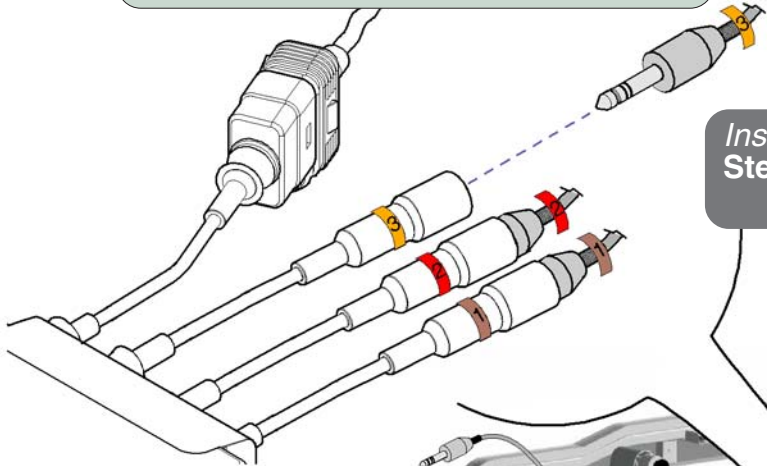
Procedure continued on the following page...

Access Procedures

Base Cover - continued
Removal / Installation - continued

Refer To:	Page
Wiring Diagrams	D-1
Exploded Views / Part Numbers	E-1

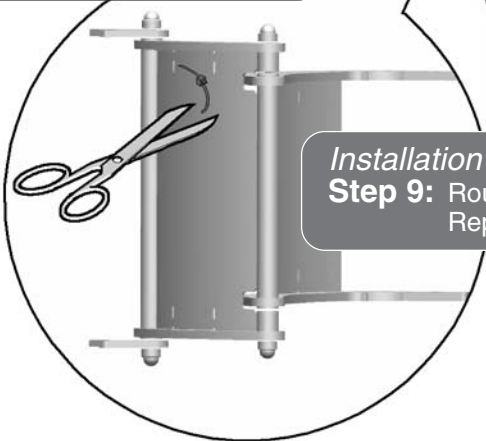
Removal
Step 4: Disconnect wire harness extension (3) from control box wire (3).



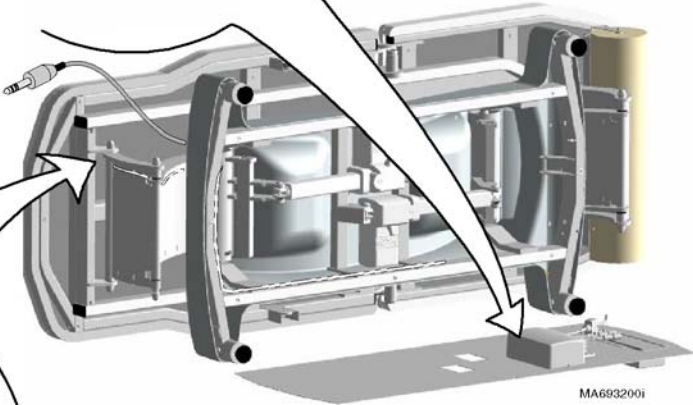
Installation
Step 10: Connect wire harness extension (3) to control box wire (3).

Installation
Step 8: CAREFULLY, lay table onto its side.

Removal
Step 5: Cut all wire ties securing the wire harness extension. Pull harness extension thru thru base cover.



Installation
Step 9: Route wire harness extension to the control box. Replace all wire ties cut during *Removal* procedure.



Procedure continued on the following page...

Models: | **All**
Serial Numbers: |

Base Cover

Access Procedures

Base Cover - continued

Removal / Installation - continued

Refer To: [Page](#)
Exploded Views / Part Numbers E-1

Removal
Step 6: CAREFULLY stand table upright.




Installation
Step 6: Install pivot bar.

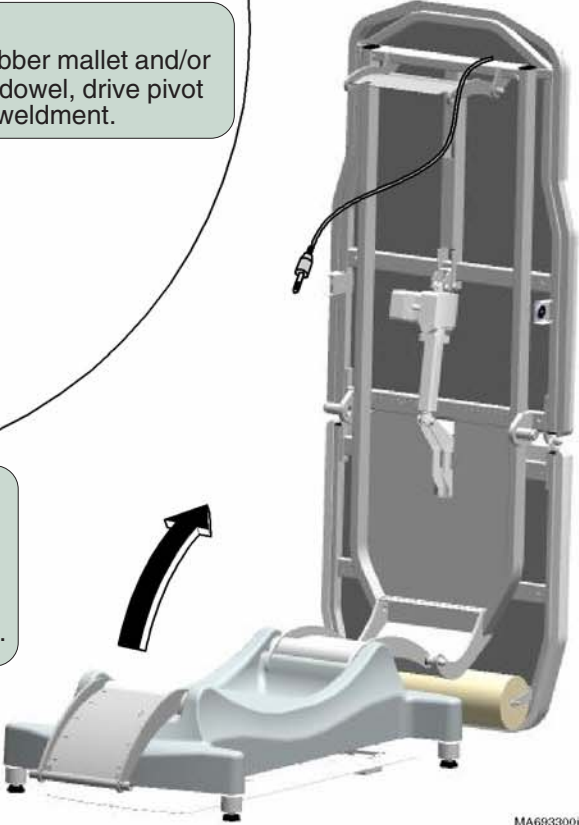
Removal
Step 8: Using a rubber mallet and/or a wooden dowel, drive pivot bar out of weldment.

Removal
Step 7: Remove cap, nut, & washer.

Installation
Step 7: Install washer, nut, & cap.

Removal
Caution
 Use an assistant to help secure table top when performing Steps 9 thru 12.
Step 9: CAREFULLY, pivot table top toward head-end.

Installation
Step 5: CAREFULLY, lay table top down.
Align frame with holes in pivot weldment.



MA693300i


Access Procedures

Base Cover - continued

Removal / Installation - continued

Refer To:	Page
Exploded Views / Part Numbers	E-1

Installation

 **Caution**
Use an assistant when performing Steps 2 thru x.

Step 2: CAREFULLY stand table top upright.
Align frame with holes in pivot weldment.

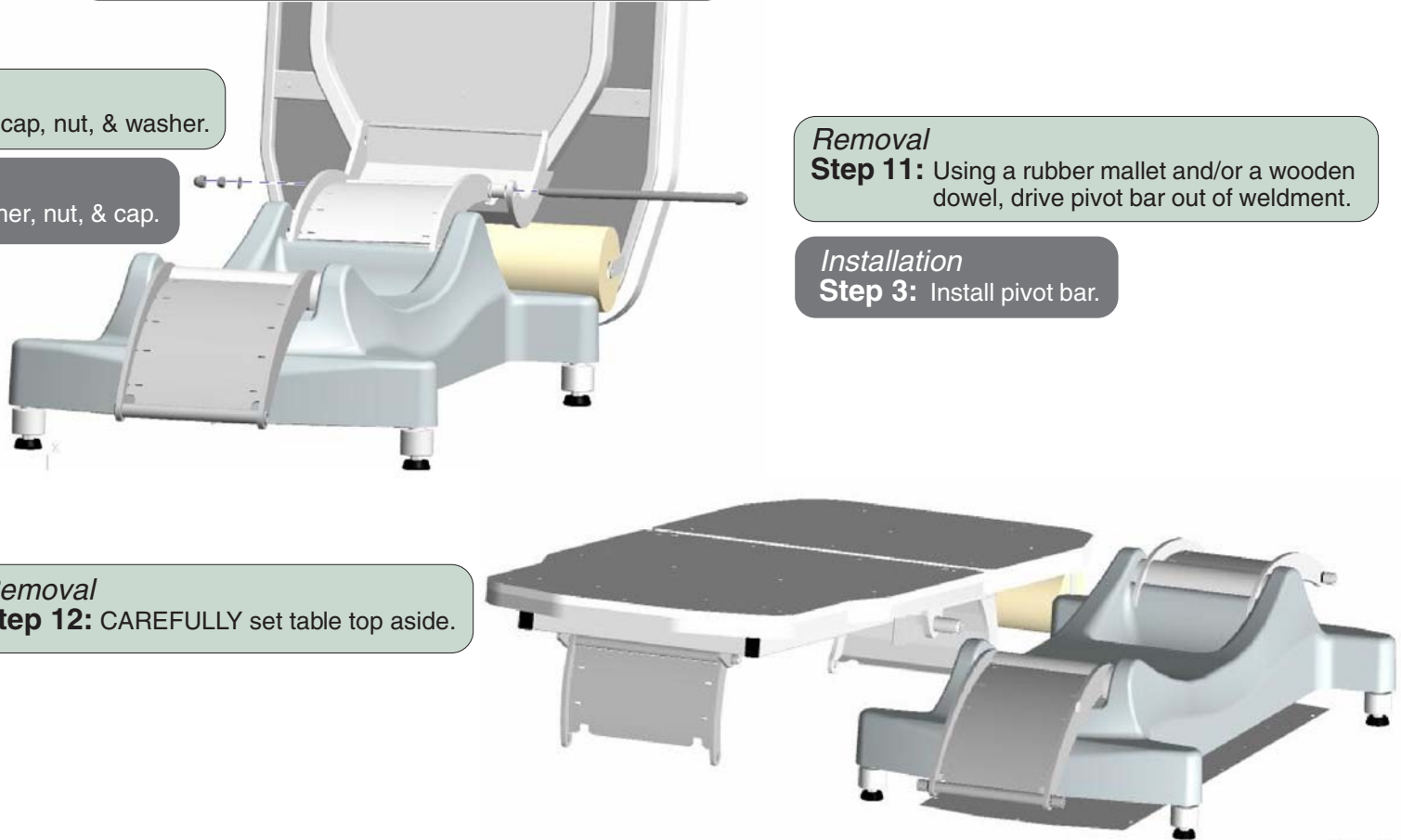
Removal
Step 10: Remove cap, nut, & washer.

Installation
Step 4: Install washer, nut, & cap.

Removal
Step 11: Using a rubber mallet and/or a wooden dowel, drive pivot bar out of weldment.

Installation
Step 3: Install pivot bar.

Removal
Step 12: CAREFULLY set table top aside.



MA693400i

Procedure continued on the following page...

Models: | All
Serial Numbers:

Base Cover

Access Procedures

Base Cover - *continued*

Removal / Installation - continued

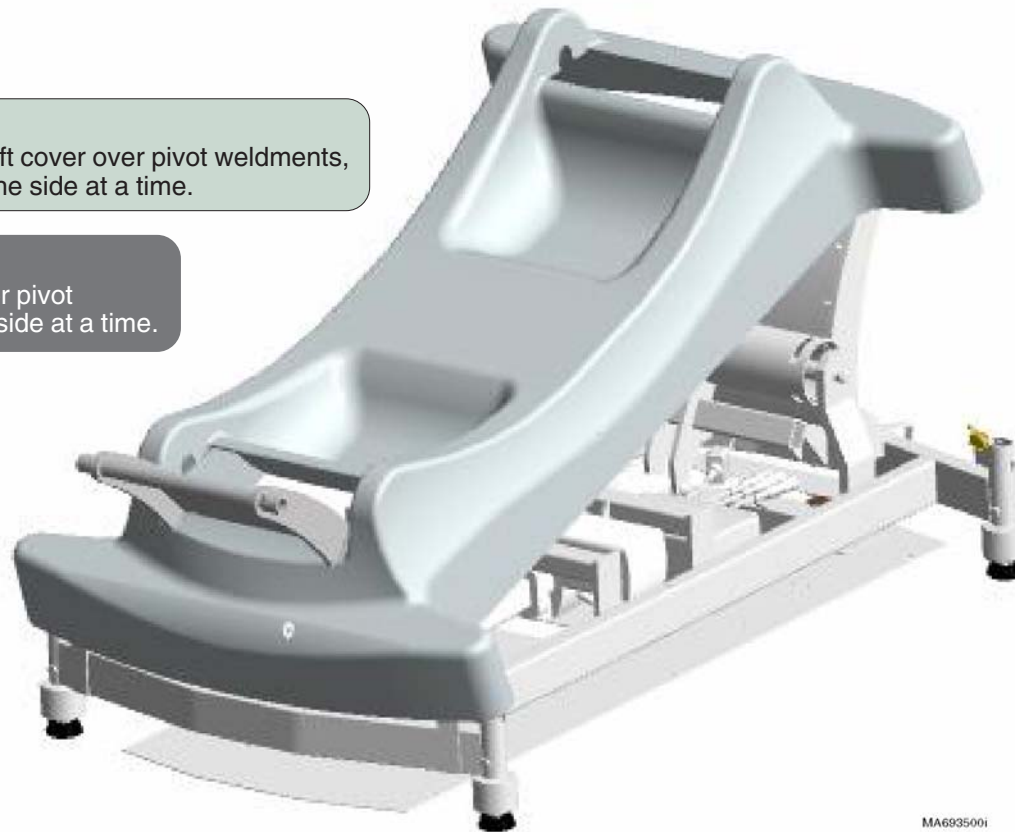
Refer To: [Page](#)
Exploded Views / Part Numbers E-1

Removal

Step 13: Lift cover over pivot weldments, one side at a time.

Installation

Step 1: Install cover over pivot weldments, one side at a time.



MA693500i

Seat Section Cover *(early models only)* Removal / Installation

Refer To:	Page
Exploded Views / Part Numbers	E-1

Removal
Step 1: Remove seven screws.
Remove seat section cover.

Installation
Step 1: Position seat section cover.
Install seven screws.



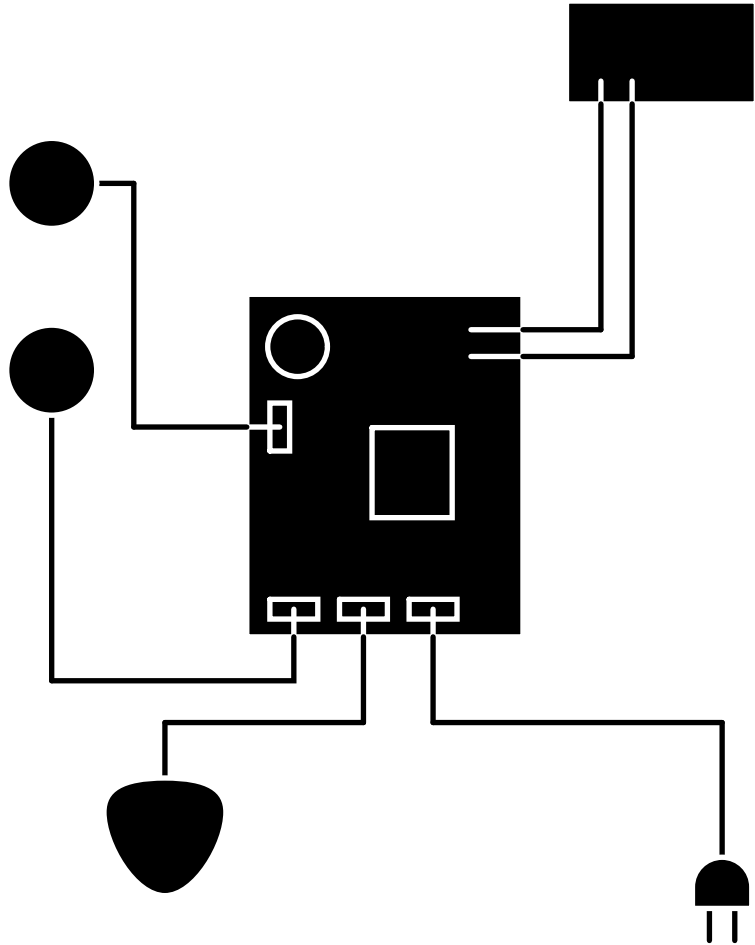
MA694000i

Models: 244
Serial Numbers: 045102845 thru 045102866

Seat Section Cover

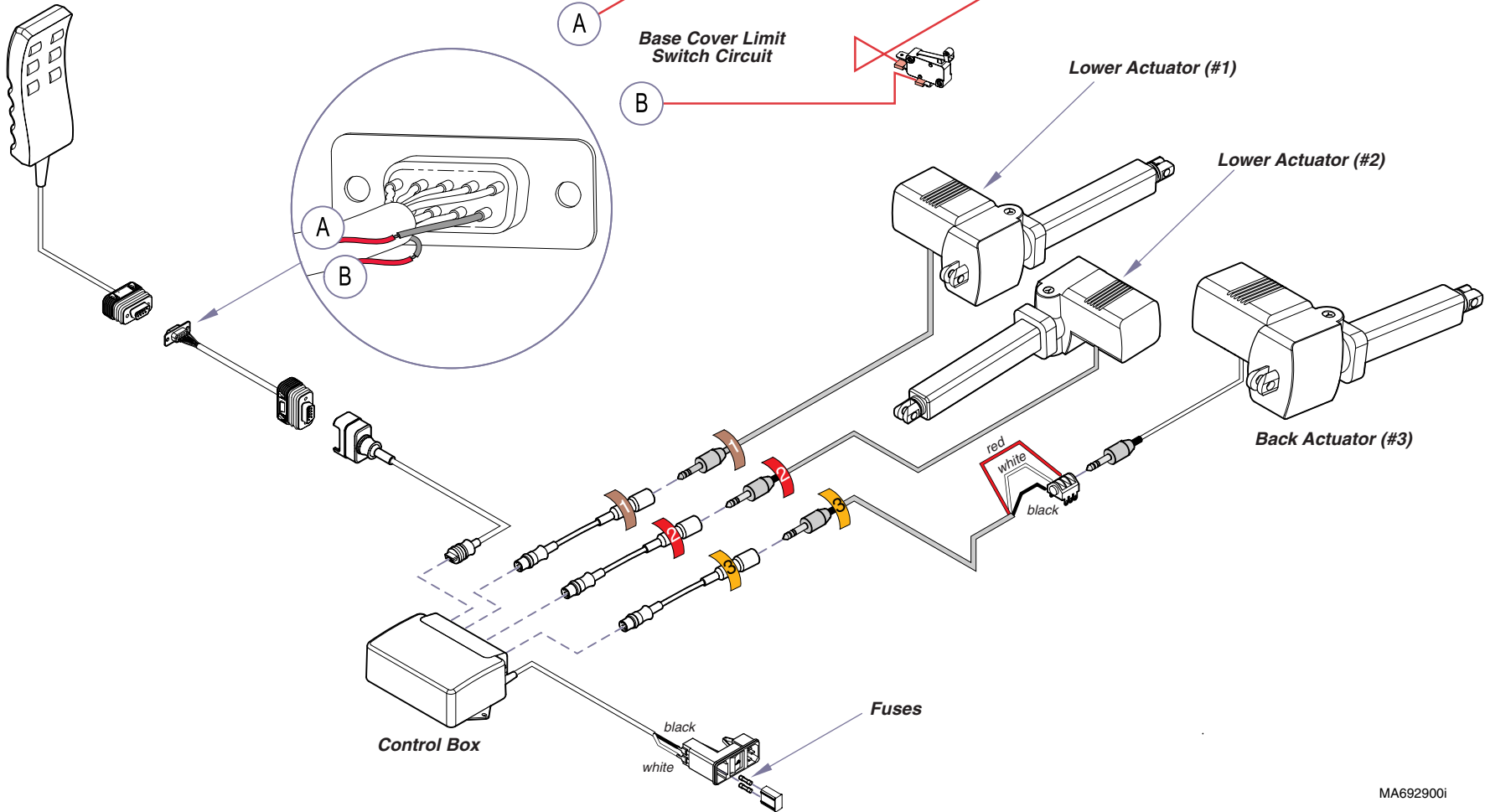
Section D

Wiring Diagrams



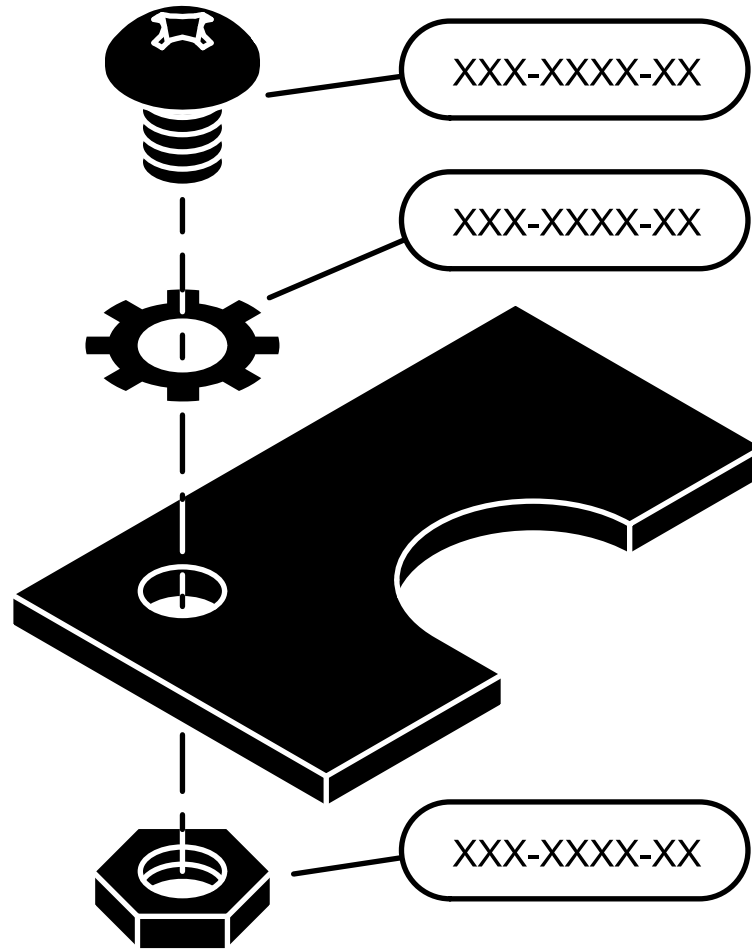
Wiring Diagrams

Refer To:	Page
Operation & Troubleshooting	A-1
Component Testing / Repair	B-1
Access Procedures	C-1
Wiring Diagrams	D-1
Exploded Views / Part Numbers	E-1

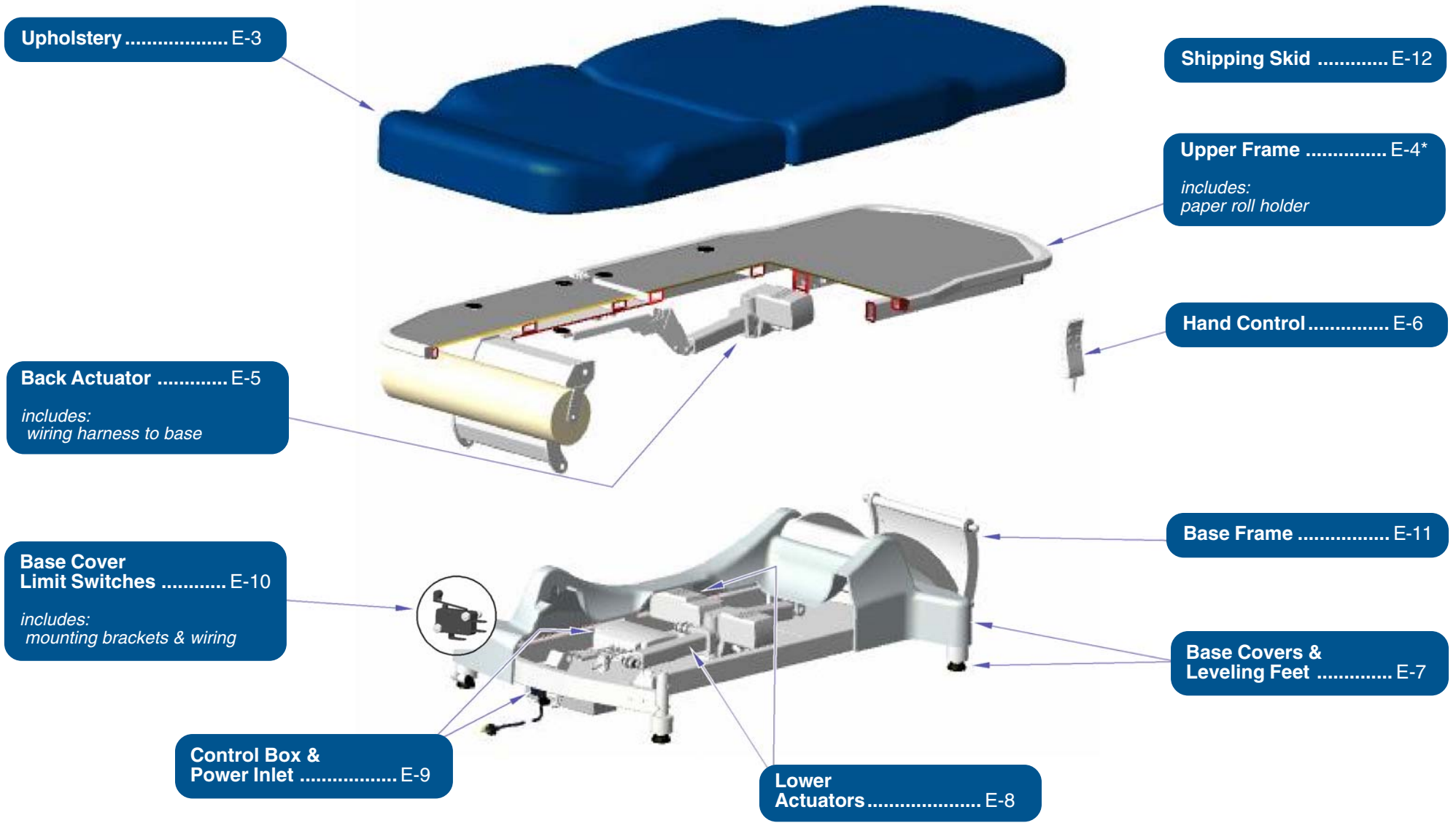


MA692900i

Exploded Views & Parts Lists



244(all)



Refer To:
Color Selector www.midmark.com

ATTENTION: Refer to *Color Selector* link for appropriate numbers to replace -xxx.

 **Order**
Medical and
Animal Health
Parts Online

Standard: 002-0861-xxx
Cal 133: 002-1017-xxx
PVC-free: 002-1130-xxx

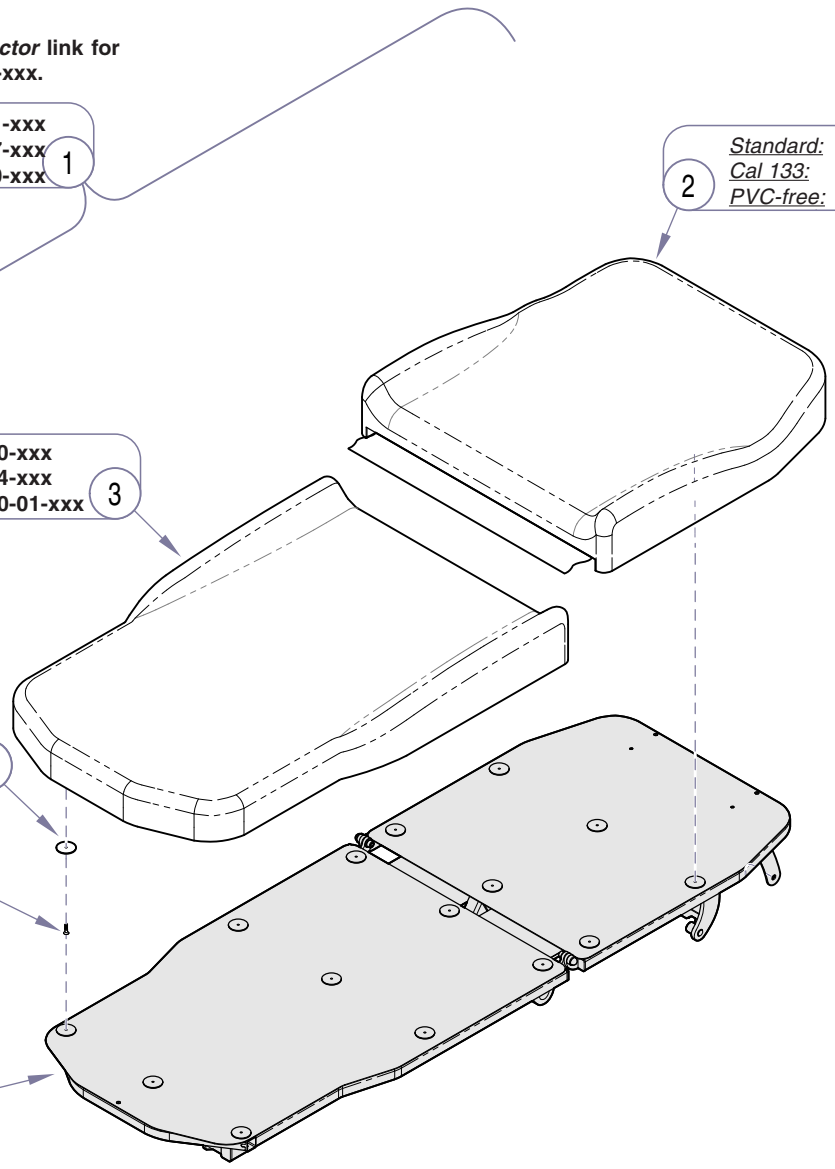
Standard: 028-0679-xxx
Cal 133: 028-0683-xxx
PVC-free: 028-0679-01-xxx

Standard: 028-0680-xxx
Cal 133: 028-0684-xxx
PVC-free: 028-0680-01-xxx

053-1756-01

040-0006-39

6



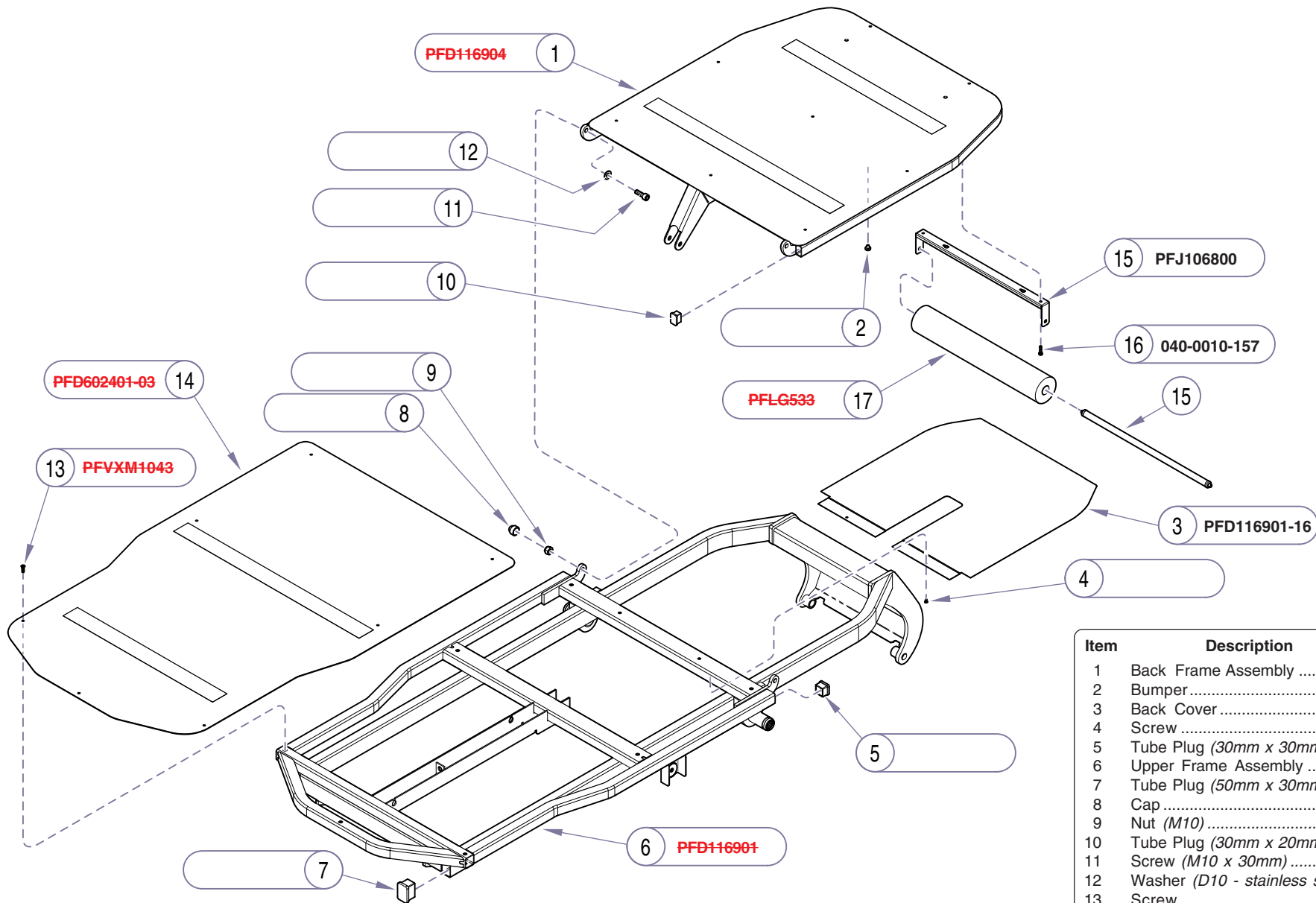
MA689702i

Item	Description	Qty.
1	Upholstery Set (includes items 2 thru 5)	1
2	• Back Upholstery (specify color)	1
3	• Seat Upholstery (specify color)	1
4	• Velcro	15
5	• Screw	15
6	Refer to: Upper Frame	Ref

Always Specify Model & Serial Number

Models: | All
Serial Numbers:

Upholstery



Item	Description	Qty.
1	Back Frame Assembly	1
2	Bumper.....	NSS
3	Back Cover	1
4	Screw	NSS
5	Tube Plug (30mm x 30mm).....	NSS
6	Upper Frame Assembly	1
7	Tube Plug (50mm x 30mm).....	NSS
8	Cap	NSS
9	Nut (M10)	NSS
10	Tube Plug (30mm x 20mm).....	NSS
11	Screw (M10 x 30mm)	NSS
12	Washer (D10 - stainless steel)	NSS
13	Screw	15
14	Seat Section Cover	1
15	Paper Roll Holder Assy. (incl. item 16).....	1
16	• Screw (M6 x 25mm)	2
17	Paper Roll	1

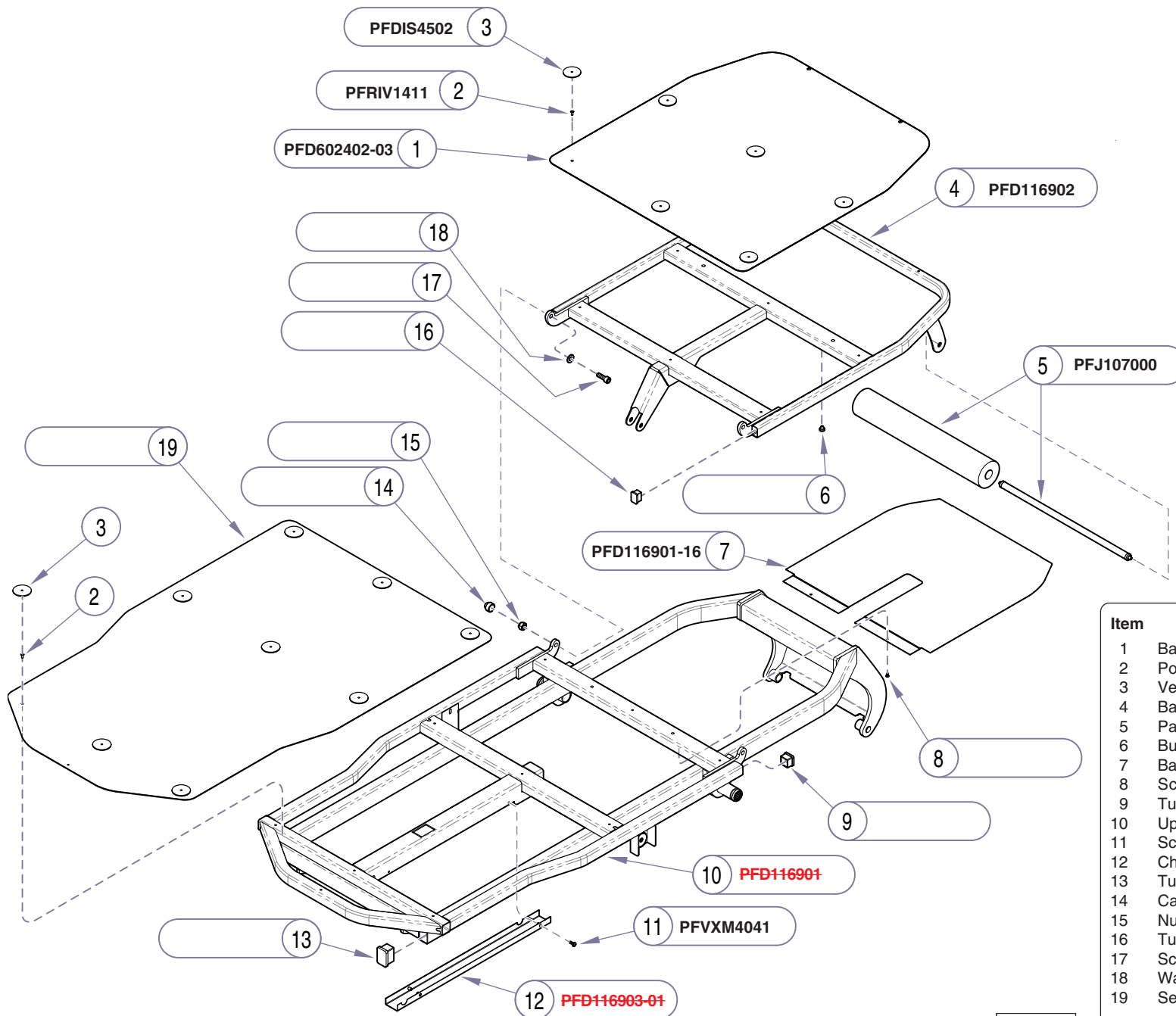
MA689601i

Always Specify Model & Serial Number

NSS = Not Sold Separately

Upper Frame

Models: 244
Serial Numbers: 045102845 thru 045102866



Item	Description	Qty.
1	Back Frame Top Cover	1
2	Pop Rivet	17
3	Velcro	15
4	Back Frame	1
5	Paper Roll Rod (w/ one paper roll)	1
6	Bumper	NSS
7	Back Cover	1
8	Screw	NSS
9	Tube Plug (30mm x 30mm)	NSS
10	Upper Frame Assembly	1
11	Screw (M4 x 10mm)	2
12	Channel Cover	1
13	Tube Plug (50mm x 30mm)	NSS
14	Cap	NSS
15	Nut (M10)	NSS
16	Tube Plug (30mm x 20mm)	NSS
17	Screw (M10 x 30mm)	NSS
18	Washer (D10)	NSS
19	Seat Frame Top Cover	NSS

Always Specify Model & Serial Number

MA689603i

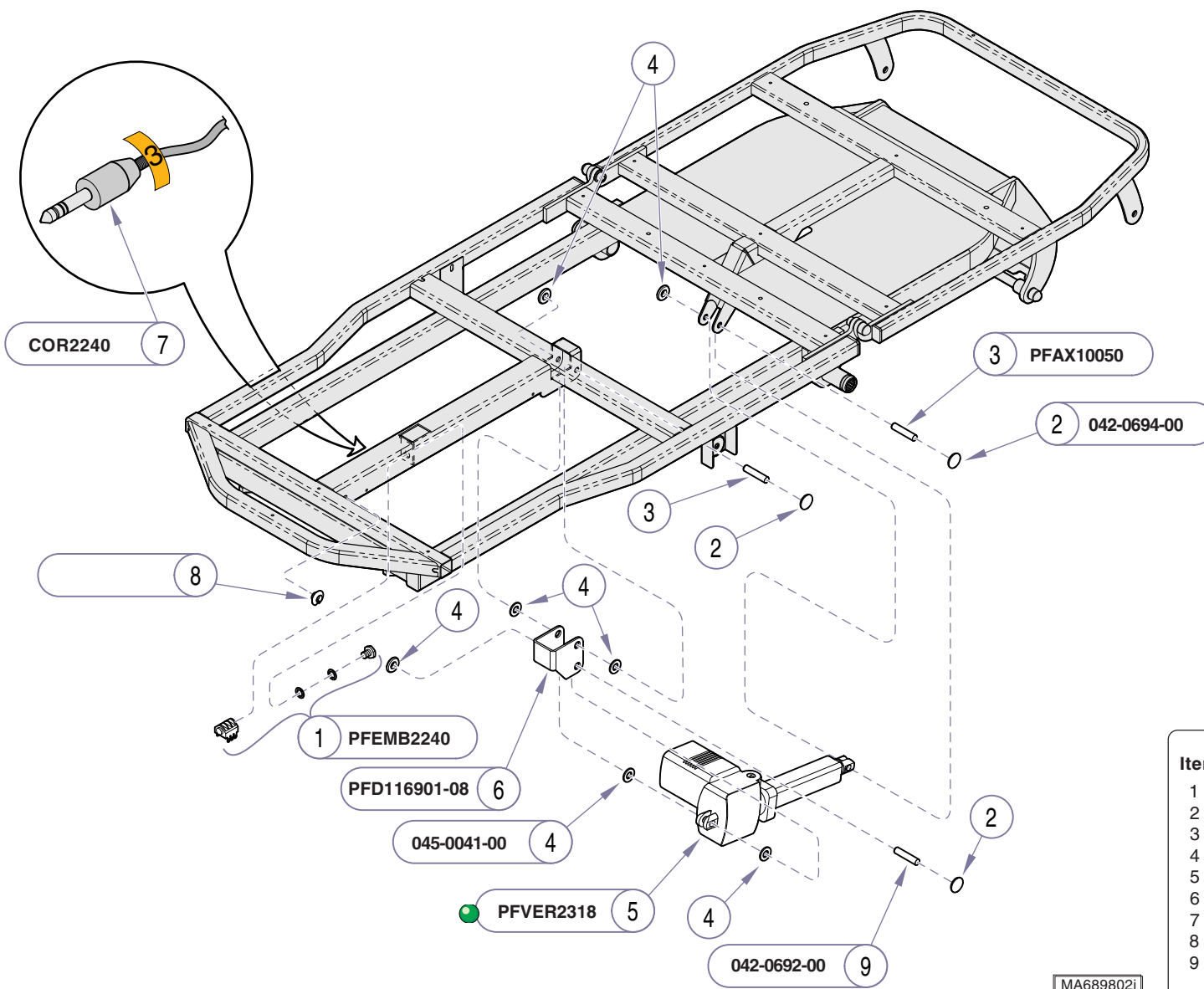
NSS = Not Sold Separately

Models: 244
Serial Numbers: 045102867 thru present

Upper Frame

E-4.1

On early models, the electrical connector (item #1)
 is accessed from the top of the upper frame.



MA689802i

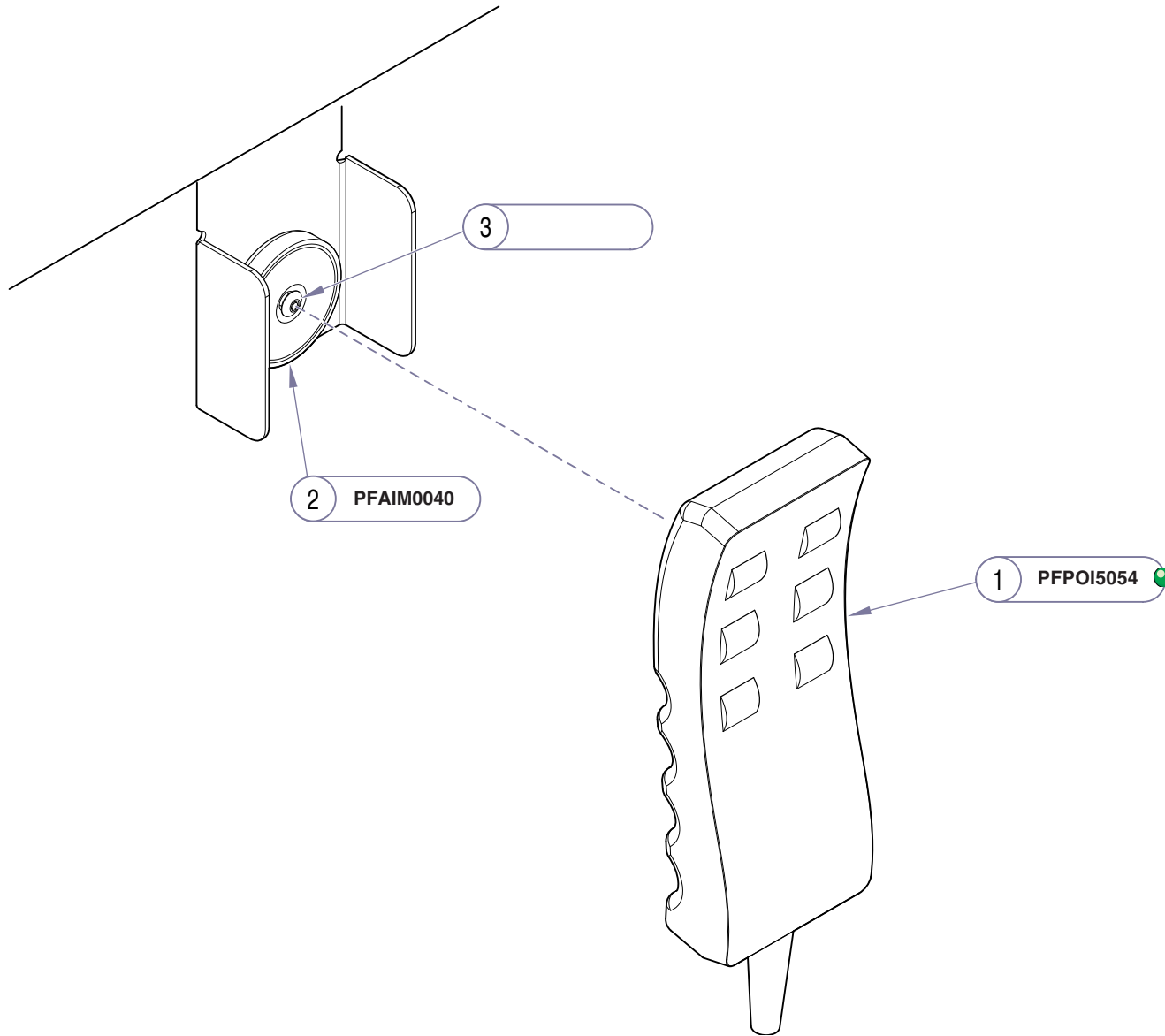
Item	Description	Qty.
1	Electrical Connector	1
2	Cap (D10)	3
3	Pin (D10 x 50mm - stainless steel)	2
4	Nylon Washer (D10)	7
5	Back Actuator	1
6	Actuator Mounting Bracket	1
7	Wire Harness Extension	1
8	Plastic Loop D. 8/24 for Cable	NSS
9	Pin (D10 x 60mm - stainless steel)	1

Always Specify Model & Serial Number

NSS = Not Sold Separately

Back Actuator

Models: All
Serial Numbers:



MA690700i

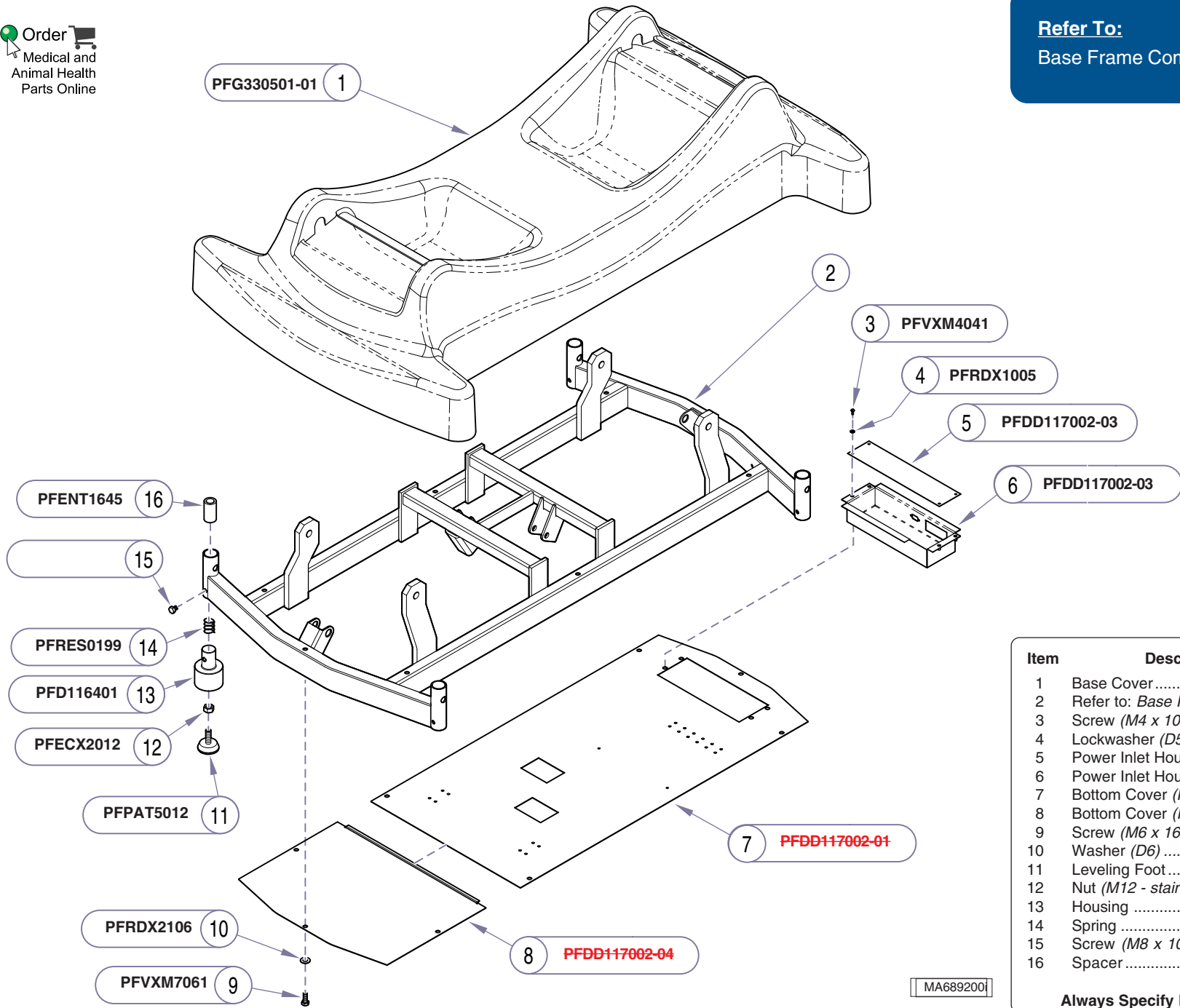
Item	Description	Qty.
1	Hand Control	2
2	Magnet	2
3	Rivet	NSS

Always Specify Model & Serial Number

NSS = Not Sold Separately

Models: | **All**
Serial Numbers: |

Hand Control



Item	Description	Qty.
1	Base Cover	1
2	Refer to: <i>Base Frame Components</i>	Ref
3	Screw (M4 x 10 mm)	4
4	Lockwasher (D5)	4
5	Power Inlet Housing Cover	1
6	Power Inlet Housing	1
7	Bottom Cover (Head-end)	1
8	Bottom Cover (Foot-end)	1
9	Screw (M6 x 16mm)	10
10	Washer (D6)	10
11	Leveling Foot	1
12	Nut (M12 - stainless steel)	1
13	Housing	1
14	Spring	1
15	Screw (M8 x 10 mm)	NSS
16	Spacer	1

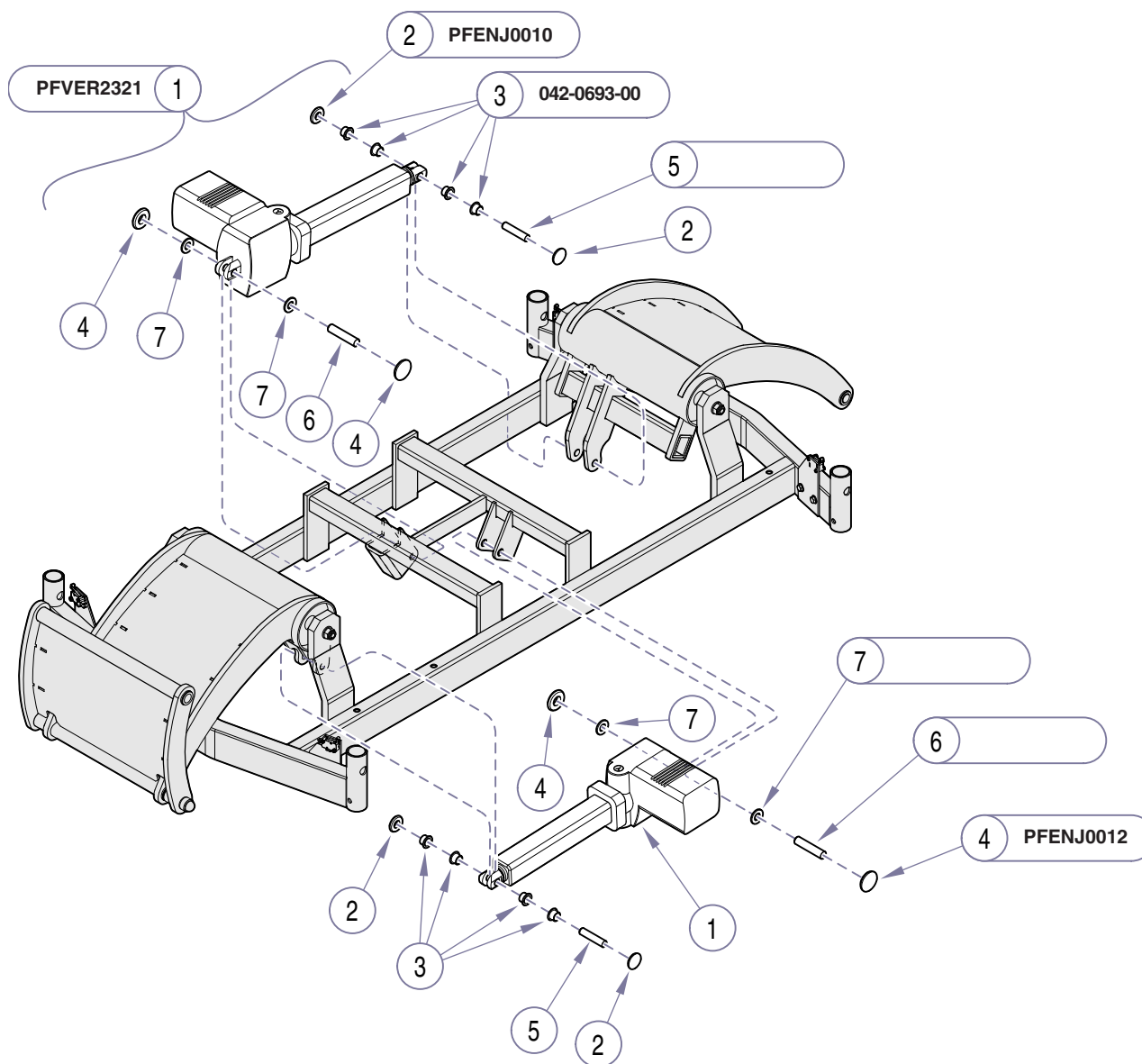
Always Specify Model & Serial Number

NSS = Not Sold Separately

MA6892001

**Base Covers &
Leveling Feet**

Models: | **All**
Serial Numbers: |



MA689300i

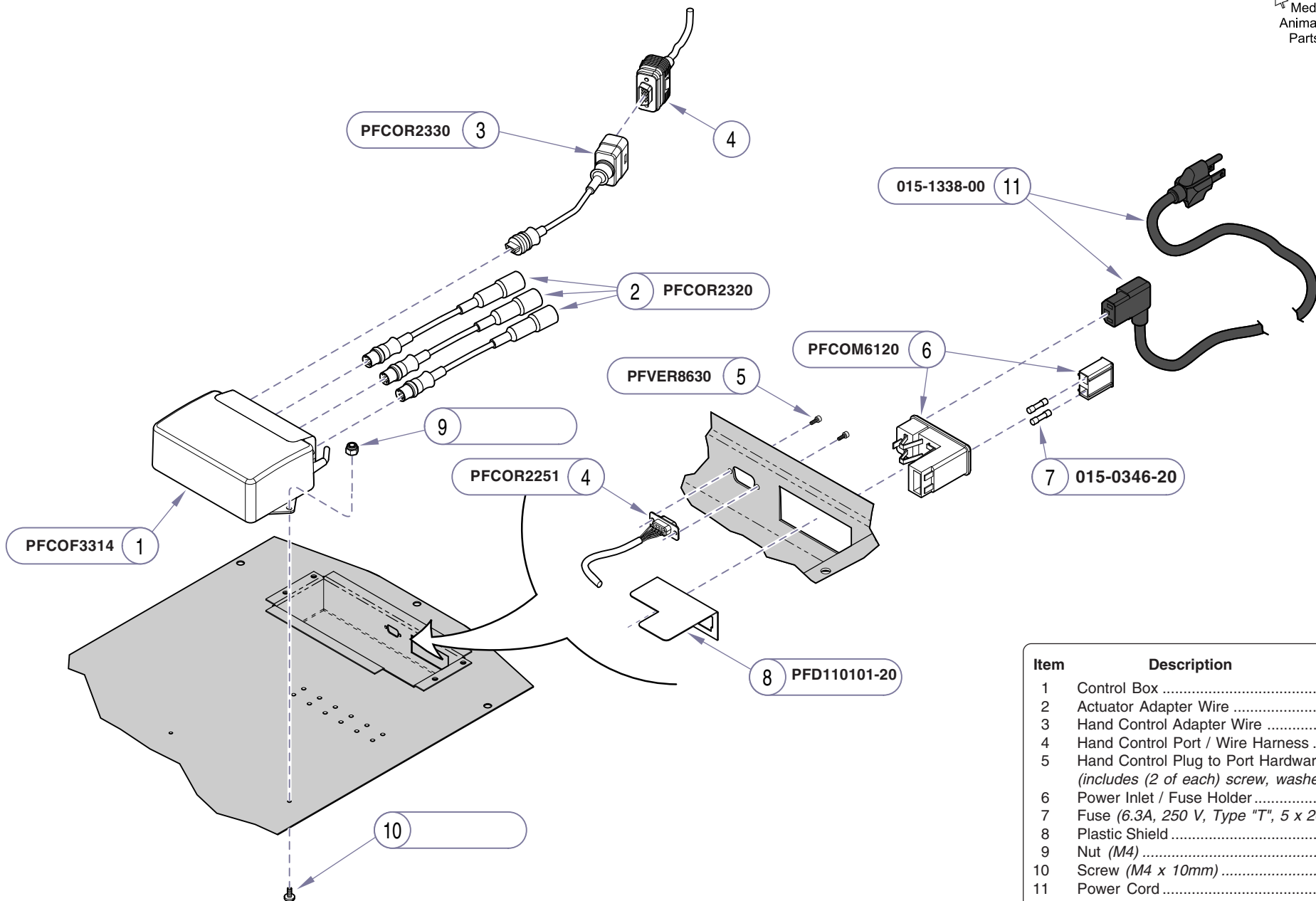
Item	Description	Qty.
1	Lower Actuator Kit (includes items 2 thru 6)	2
2	• Cap (D10)	2
3	• Bushing	4
4	• Cap (D12)	2
5	• Pin (D10 x 58mm)	NSS
6	• Pin (D12 x 55mm)	NSS
7	Nylon Washer	NSS

Always Specify Model & Serial Number

NSS = Not Sold Separately

Models: | **All**
Serial Numbers: |

Lower Actuators



Item	Description	Qty.
1	Control Box	1
2	Actuator Adapter Wire	3
3	Hand Control Adapter Wire	1
4	Hand Control Port / Wire Harness	1
5	Hand Control Plug to Port Hardware Pkg. (includes (2 of each) screw, washer & nut)	1
6	Power Inlet / Fuse Holder	1
7	Fuse (6.3A, 250 V, Type "T", 5 x 20 mm) ..	1
8	Plastic Shield	1
9	Nut (M4)	NSS
10	Screw (M4 x 10mm)	NSS
11	Power Cord	1

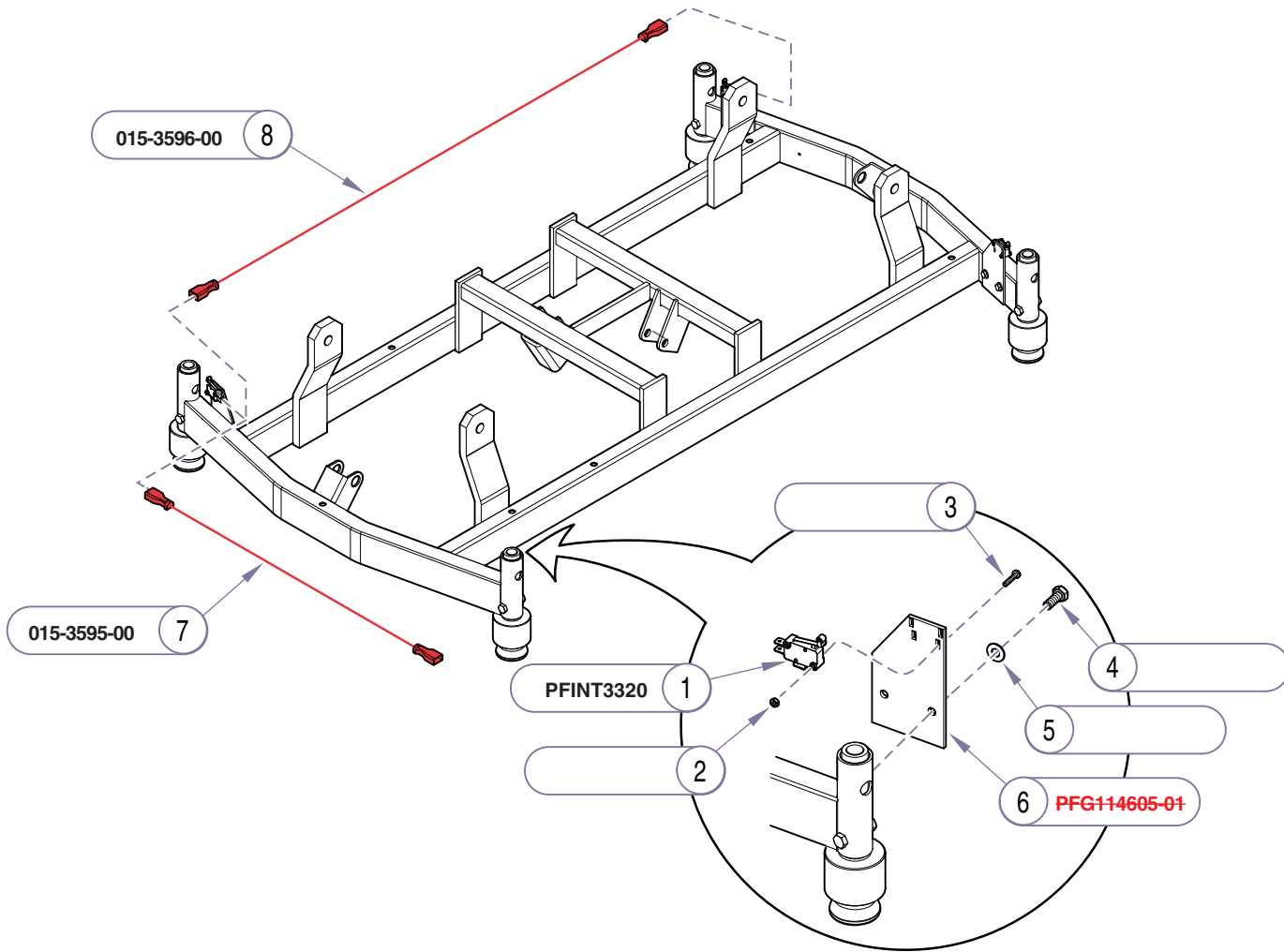
Always Specify Model & Serial Number

NSS = Not Sold Separately

MA689900i

**Control Box &
Power Inlet**

Models: | **All**
Serial Numbers: |



MA689400i

Item	Description	Qty.
1	Limit Switch Kit (includes <u>one</u> switch and items 2 & 3)	4
2	• Nut (M3 - stainless steel)	NSS
3	• Screw (M3 x 15mm)	NSS
4	Screw (M6 x 16mm)	NSS
5	Washer (D6 - stainless steel)	NSS
6	Mounting Plate	4
7	Limit Switch Wire (short)	1
8	Limit Switch Wire (long)	2

Always Specify Model & Serial Number

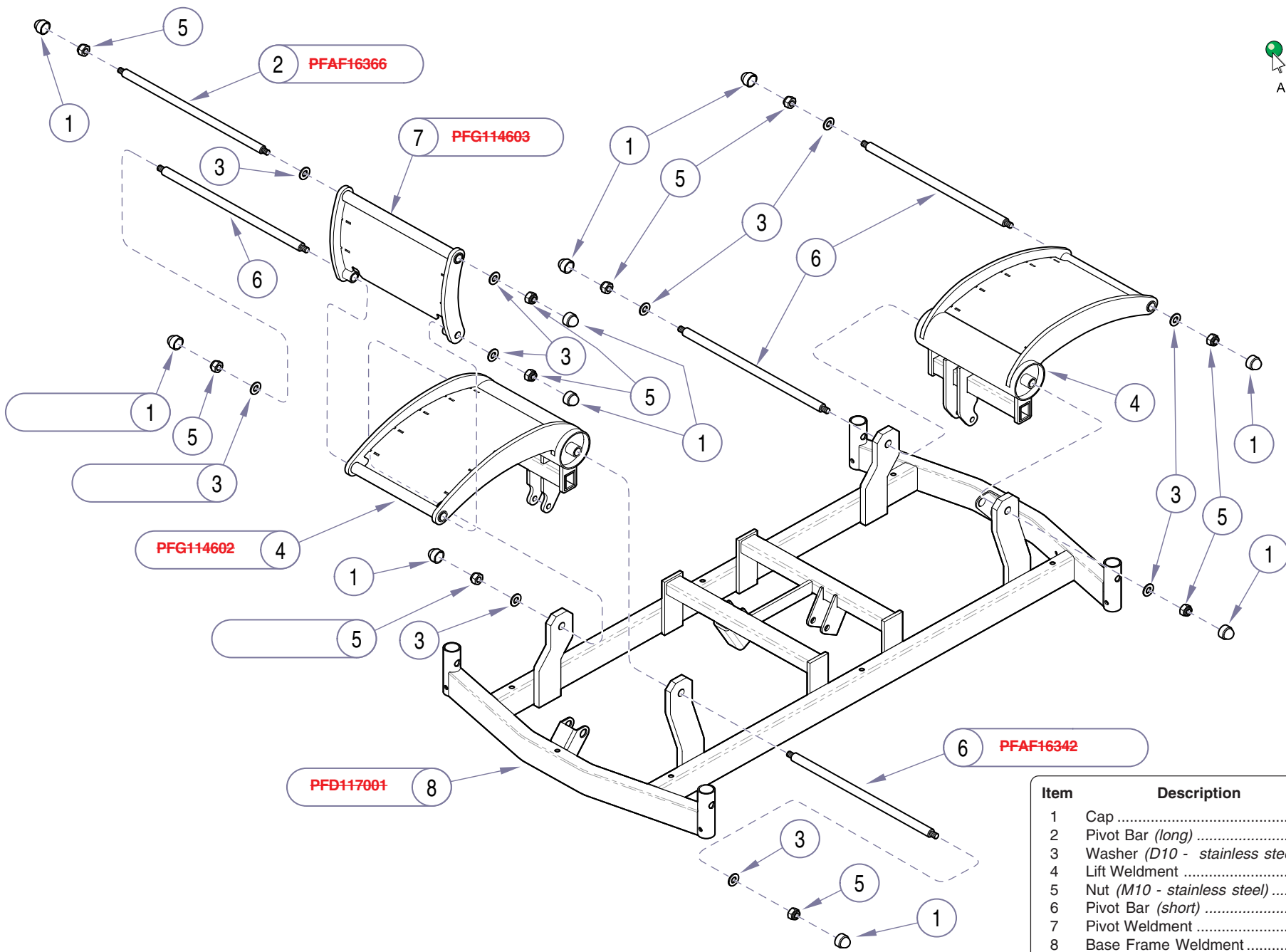
NSS = Not Sold Separately

Models:
Serial Numbers:

All

**Base Cover
 Limit Switches**

E-10

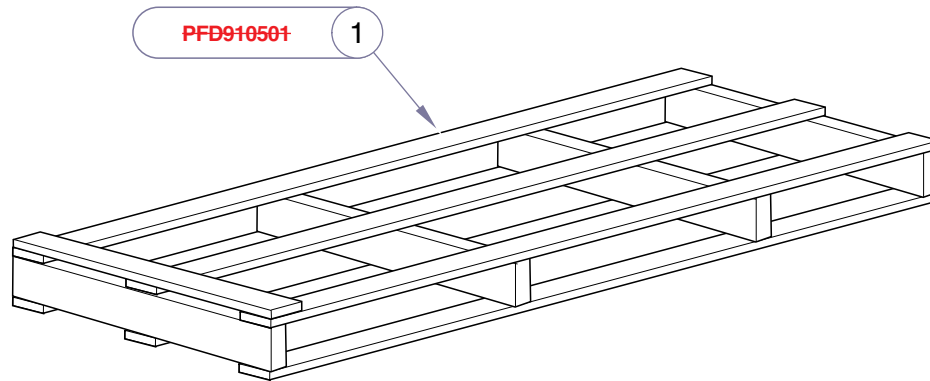


MA689501i

Item	Description	Qty.
1	Cap	NSS
2	Pivot Bar (long)	1
3	Washer (D10 - stainless steel)	NSS
4	Lift Weldment	2
5	Nut (M10 - stainless steel)	NSS
6	Pivot Bar (short)	4
7	Pivot Weldment	1
8	Base Frame Weldment	1

Always Specify Model & Serial Number

NSS = Not Sold Separately



MA743000i

Item	Description	Qty.
1	Shipping Skid	1

Always Specify Model & Serial Number

Models: | **All**
Serial Numbers: |

Shipping Skid

Midmark Corporation
60 Vista Drive
P.O. Box 286
Versailles, OH 45380-0286
937-526-3662
Fax 937-526-5542
www.midmark.com



Because we care.