



Strength in patient care.™

PODIATRY & WOUND CARE SPECIALTY PRODUCTS



U.S. & Canada 800 924.4655 | International 801 875.4999

mti.net





**MTI IS COMMITTED
TO CONTINUALLY
PRODUCE HIGH-QUALITY
AND COMPETITIVELY
PRICED PRODUCTS.**

MTI's History

Why MTI has "Strength in patient care."

When Jeff Baker founded Medical Technology Industries, Inc. DBA MTI, Inc., he had already worked in the healthcare field for over 26 years. His time as vice president of The HealthChair® Group's DMI® medical division, and years of experience in PDM®, The HealthChair® Group's podiatry division, prepared him for his new venture as he launched MTI in 1999.

Armed with the knowledge of his customers' needs and desires, Baker founded MTI to make and sell high-quality patient and physician oriented seating and cabinetry, along with other accessories. MTI designed its first podiatry chair the same year the company was founded, followed by a complete line of cabinetry and surgery chairs for otolaryngology.

MTI's success and rapid growth led to the construction in 2005 of a technology-rich 50,000 square-foot manufacturing facility. The building includes green technology, including computer-controlled high-efficiency cooling and heating systems, low-E glass windows, central plenum ceilings, and additional wall and ceiling insulation.

Always looking to the future, MTI is committed to continually produce high-quality and competitively priced products while remaining dedicated to customers, associates, and the community. MTI strives to remain at the forefront of the industry by employing qualified and well-trained associates, listening to customers' needs and desires, and never losing the thirst for success.





Why buy MTI?

- PRODUCTS DESIGNED FOR THE SPECIALIST
- INDUSTRY LEADER
- RUGGED CONSTRUCTION
- SUPERIOR BASE DESIGN
- VELCRO®-ATTACHED UPHOLSTERY
- LOW-VOLTAGE OPERATION
- UNSURPASSED CUSTOMER SERVICE
- AFFORDABLE PRICE
- TECHNOLOGICALLY ADVANCED PRODUCTS
- CUSTOMER FOCUSED



527 24" wide exam chair with power lift, back and tilt functions, extendable leg rest, and debris tray. **Non-knee break.**

pg. 06



527W 30" wide bariatric exam chair with power lift, back and tilt functions, extendable leg rest, and debris tray. **Non-knee break.**

pg. 10



Portable Leg Wrapping Support

Light-weight, yet strong portable support to assist in holding legs while wrapping.

pg. 30



Dust Vac™ Free standing debris evacuation system.

pg. 30



526 24" wide exam chair with power tilt and back functions, extendable leg rest, and debris tray. **Non-knee break.**

pg. 14



530 24" wide exam/procedure chair with power lift, back, tilt and foot functions, and debris tray.

pg. 18



450 24" wide exam/procedure chair with power lift, back, tilt and foot functions, and extendable leg rest.

pg. 22



450W 30" wide bariatric exam/procedure table with power lift, back, tilt and foot functions, and extendable leg rest.

pg. 26



Side Chairs Seat your patients and guests on MTI's comfortable side chairs.

pg. 31



MTC Series Cabinets Mobile treatment cabinets are available in various drawer/door, height, depth, and color configurations.

pg. 31



LED Exam Lights Three different LED models available in either a caster base, floor stand, or chair-mounted version.

pg. 32



Stools Hand or foot operated stools with available with various back and seat configurations.

pg. 33

527

MTI Model 527 Tri-Power Podiatry/ Wound Care Chair

Power lift, back and tilt functions

MTI's 527 Tri-Power Podiatry/Wound Care Chair (non-knee break) provides comfort to your patients with a low entry height of 19" (48.3 cm), making it easy and safe for your patients to enter and exit the chair—even from a wheel chair.

Vertical travel of 20" (50.8 cm) brings your patients up to the highest operating heights. The ultra comfortable 24" (60.9 cm) wide seat and 25" (63.5cm) wide foot section makes it one of the widest chairs on the market today. **It also features an industry-leading 650 lb (295 kg) rated lift function capacity.**

Sliding Removable Floating Arms™ lock in the entry/exit positions and provide security for you and your patients. An under-arm locking tab makes it easy to slide the arm back to provide a hand-hold surface for a secure and easy ingress and egress.

The 527 is available in two models: the 527P Programmable model offers two user programmable positions and an auto return function, while the 527S non-programmable model is standard with MTI's semi-auto "position switch," plus an auto return function. A hand control or foot control can be had in lieu of each other or optionally, together.

*Patented





Footrest extension adjustment with dual locks are located on both sides at the end of the footrest. Both the stainless steel debris tray and footrest extend 12" (30.5 cm) using KTL Cataphoresis coated slides and each support up to 200 lbs. (90.7 kg) individually extended.



With a minimum entry height of 19" (48.3 cm) and an extended height of 39" (98.3 cm), the 527's afford easy entry for elderly or disabled patients, while providing extended heights for even the tallest of operators.



From upright to reclined, the MTI 527's can do it all

527 features

- 19" (48.3 cm) entry height with 20" (50.8 cm) vertical travel power lift base
- Ultra quiet 24-volt low-voltage DC electric gear motors
- Power lift, back and tilt functions (non-knee break)
- 650 lbs. (295 kg) lifting capacity
- 24" (60.9 cm) maximum width, 25.5" (64.8 cm) foot section
- Locking slide back Floating Arms™*
- Stainless steel debris tray (10 1/4" x 14 7/8" x 2" [26 cm x 37.8 cm x 5.1 cm]) extends a full 12" (30.5 cm) using KTL Cataphoresis coated slides
- Footrest extension adjustment with dual locks
- All steel frame and cushion substrates
- Seamless Premium Upholstery and Designer Ultraleather™ Upholstery (optional memory foam available for design upholstery)
- Choice of foot control or remote hand control with auto return, stop/cancel, and any button cancellation
- Standard two (2) position programmability (527P only)
- Rapid position switch (527S only)
- Fire barrier material option available to comply with California Technical Bulletin 133
- Listed to UL 60601-1, CAN/CSA C22.2 No. 601.1-M90, and IEC 60601-1

527

MTI Model 527 Tri-Power Podiatry/Wound Care Chair Specifications*

Maximum lifting capacity:	650 lbs (295 kg)
Minimum seat height:	19" (48.3 cm)
Maximum seat height:	38.7" (98.3 cm)
Max. vertical elevation:	19.7" (50 cm)
Maximum Trendelenburg:	30°
Foot Section:	25" wide x 18.5" long (63.5 cm x 47 cm)
Seat Section:	24.5" wide x 21.5" long (62.2 cm x 54.6 cm)
Back Section:	23" wide x 33" long (58.4 cm to 83.8 cm)
Stainless Steel Debris Tray:	10" x 14.5" x 2.5" (25.4 cm x 36.8 cm x 6.4 cm)
Electrical:	115/60, 4.3 amps 230/50, 2.15 amps
Chair shipping weight†:	408 lbs (185 kg)
Chair shipping size†:	76" x 34" x 28" (193 cm x 86.4 cm x 71 cm)
Uph. Kit shipping weight:	29 lbs (13 kg)
Uph. Kit shipping size:	27" x 9" x 43" (68.6 cm x 22.7 cm x 109.2 cm)

*Listed to UL 60601-1, CAN/CSA C22.2 No. 601.1-M90, and IEC 60601-1

Patent No. 7,862,123

†International weights and dimensions may vary.

527 Chair Accessories



- A | LED Exam Light
- B | Vision Block
- C | Mayo Tray
- D | Shoe Tray
- E | Hand Control
- F | Foot Control
- G | IV Pole

(available to mount on patient's left or right hand side)



- A | LED Exam and Procedure Lights
- B | IV Pole
- C | Patient Monitoring Tray
- D | Flexible Mayo Tray

(available to mount on patient's left or right hand side)



Seamless Upholstery
(Premium colors only)



Designer Upholstery
(Ultraleather™
colors only)



Memory Foam
(only available in
Designer Upholstery)



Swivel Base
(340-degree)



Low Boy Caster Base
(raises height 1")



Caster Base
with Caster Jacks
(raises height 5.5)



Mobile Caster Cart
(raises height 1.5")



Casters
(raises height 3.75")



Leveling Glides, 2"



Duplex Outlet



Corded Hand Control



Paper Roll Holder, 21"



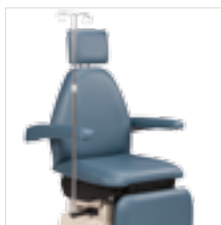
Bed Rails



Hand/Forearm
Procedure Table



Base Mounting Rail
(for mounting IV rod)



IV Rod
(mounts to Base
Mounting Rail)



Leg Wrapping Support
Mounts



Power Cord, 3' with
90-degree plug



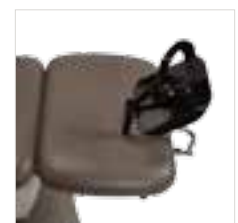
Leg Restraining Strap

Removable Leg Wrapping Support*

The patent pending leg wrapping support is a dual function support providing a calf support for wrapping the foot/heel and a heel support for wrapping the rest of the leg.

The removable leg wrapping support is made from aluminum for a light-weight yet very strong support and is non-porous coated for ease in cleaning and disinfecting.

The support can easily be moved to either the patient's left or right hand side of the foot section for ease of wrapping either leg or heel. *Patent Pending



527W

MTI Model 527W Tri-Power Bariatric Podiatry/Wound Care Chair

Power lift, back and tilt functions

Help maintain your bariatric patients' dignity and provide a safe and comfortable examination/treatment platform with the MTI 527W Bariatric Chair (non-knee break).

With a low entry height of 19" (48.3 cm), the 527W makes it easy and safe for your largest patients to enter and exit the chair, even from a wheel chair. A 20" (50.8 cm) vertical rise brings your patients up to the highest operating heights. The ultra comfort 30" (76.2 cm) wide seat and 31" (78.7 cm) wide foot section makes it one of the widest bariatric chairs on the market today, and **boasts an industry-leading 800 lb (363 kg) rated lift function capacity.**

Slide-back Removable Floating Arms™ lock in the entry/exit positions and provide security for you and your patients. The under-arm locking tab makes it easy to slide the arm back to provide a hand-hold surface for a secure and easy ingress and egress.

The 527W is available in two models: the 527WP Programmable model offers two user programmable positions and an auto return function, while the 527WS non-programmable model is standard with MTI's semi-auto "position switch," plus an auto return function. A hand control or foot control can be had in lieu of each other or optionally, together.

*Patented

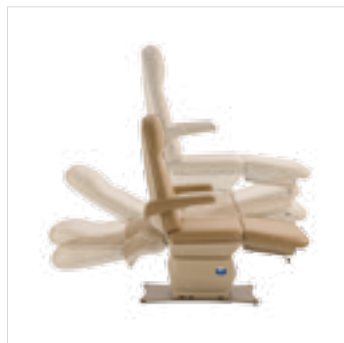




Footrest extension adjustment with dual locks are located on both sides at the end of the footrest. Both the stainless steel debris tray and footrest extend 12" (30.5 cm) using KTL Cataphoresis coated slides and each support up to 200 lbs. (90.7 kg) individually extended.



With a minimum entry height of 19" (48.3 cm) and an extended height of 39" (98.3 cm), the 527's afford easy entry for elderly or disabled patients, while providing extended heights for even the tallest of operators.



From upright to reclined, the MTI 527's can do it all

527W features

- 19" (48.3 cm) entry height with 20" (50.8 cm) vertical travel power lift base
- Ultra quiet 24-volt low-voltage DC electric gear motors
- Power lift, back and tilt functions (non-knee break)
- 800 lbs (363 kg) lifting capacity
- 30" (76.2 cm) maximum width, 31" (78.7 cm) foot section
- Locking slide back Floating Arms™
- Stainless steel debris tray (10 1/4" x 14 7/8" x 2" [26 cm x 37.8 cm x 5.1 cm]) extends a full 12" (30.5 cm) using KTL Cataphoresis coated slides
- Footrest extension adjustment with dual locks
- All steel frame and cushion substrates
- Seamless Premium Upholstery and Designer Ultraleather™ Upholstery (optional memory foam available for design upholstery)
- Choice of foot control or remote hand control with auto return, stop/cancel, and any button cancellation
- Standard two (2) position programmability (527WP only)
- Rapid position switch (527WS only)
- Fire barrier material option available to comply with California Technical Bulletin 133
- Listed to UL 60601-1, CAN/CSA C22.2 No. 601.1-M90, and IEC 60601-1

527W

MTI Model 527W Tri-Power Podiatry/ Wound Care Chair Specifications*

Maximum lifting capacity:	800 lbs (363 kg)
Minimum seat height:	19" (48.3 cm)
Maximum seat height:	38.7" (98.3 cm)
Max. vertical elevation:	19.7" (50 cm)
Maximum Trendelenburg:	30°
Foot Section:	31" wide x 18.75" long (78.7 cm x 47.6 cm)
Seat Section:	30" wide x 21.5" long (76.2 cm x 54.6 cm)
Back Section:	27" wide x 33" long (68.6 cm to 83.8 cm)
Stainless Steel Debris Tray:	10" x 14.5" x 2.5" (25.4 cm x 36.8 cm x 6.4 cm)
Electrical:	115/60, 4.3 amps 230/50, 2.15 amps
Chair shipping weight†:	429 lbs (195 kg)
Chair shipping size†:	76" x 34" x 28" (193 cm x 86.4 cm x 71 cm)
Uph. Kit shipping weight:	34 lbs (15 kg)
Uph. kit shipping size:	32" x 10" x 43" (81.3 cm x 25.4 cm x 109.2 cm)

*Listed to UL 60601-1, CAN/CSA C22.2 No. 601.1-M90,
and IEC 60601-1

Patent No. 7862,123

†International weights and dimensions may vary.

527W Chair Accessories



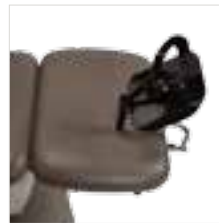
- A | LED Exam Light
- B | Vision Block
- C | Mayo Tray
- D | Shoe Tray
- E | Hand Control
- F | Foot Control
- G | IV Pole

(available to mount on
patient's left or right
hand side)



Removable Leg Wrapping Support*

The patent pending leg wrapping support is a dual function support providing a calf support for wrapping the foot/heel and a heel support for wrapping the rest of the leg.



The removable leg wrapping support is made from aluminum for a light-weight yet very strong support and is non-porous coated for ease in cleaning and disinfecting.

The support can easily be moved to either the patient's left or right hand side of the foot section for ease of wrapping either leg or heel.

*Patent Pending



Seamless Upholstery
(Premium colors only)



Designer Upholstery
(Ultraleather™
colors only)



Memory Foam
(only available in
Designer Upholstery)



Swivel Base
(340-degree)



"Low Boy" Caster Base
(raises height 1")



Leveling Glides, 2"



Duplex Outlet



Corded Hand Control



Paper Roll Holder, 21"



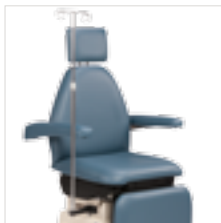
Bed Rails



Hand/Forearm
Procedure Table



Base Mounting Rail
(for mounting IV rod)



IV Rod
(mounts to Base
Mounting Rail)



Leg Wrapping Support
Mounts



Power Cord, 3' with
90-degree plug



Leg Restraining Strap

526

MTI Model 526 Dual-Power Pedestal Base Podiatry Chair

Power back and tilt functions

The dual-power MTI 526 Pedestal Base Podiatry Chair (non-knee break) is perfect for those who sit rather than stand or who desire an economical alternative to the power base models. Standard features are the same as the 527 models except for the power base.

Slide-back Removable Floating Arms™ lock in the entry/exit positions and provide security for you and your patients. An under-arm locking tab makes it easy to slide the arm back to provide a hand-hold surface for a secure and easy ingress and egress.

A hand control with four user-programmable positions or a foot control can be had in lieu of each other or optionally, together.

*Patented

Model 450 chair shown with optional designer upholstery style.





Footrest extension adjustment with dual locks are located on both sides at the end of the footrest. Both the stainless steel debris tray and footrest extend 12" (30.5 cm) using KTL Cataphoresis coated slides and each support up to 200 lbs. (90.7 kg) individually extended.



The power tilt provides up to 30° of tilt and elevates the footrest up to 36" (91.4 cm) from the floor.

526 features

- 19" (48.3 cm) entry height
- Ultra quiet 24-volt low-voltage DC electric gear motors
- Power back and tilt functions (non-knee break)
- 650 lbs (295 kg) capacity
- 24" (61 cm) maximum width, 25.5" (64.8 cm) foot section
- Locking slide back Floating Arms™*
- Stainless steel debris tray (10 1/4" x 14 7/8" x 2" [26 cm x 37.8 cm x 5.1 cm]) extends a full 12" (30.5 cm) using KTL Cataphoresis coated slides
- Footrest extension adjustment with dual locks
- All steel frame and cushion substrates
- Seamless Premium Upholstery and Designer Ultraleather™ Upholstery (optional memory foam available for design upholstery)
- Choice of foot control or remote hand control with auto return, stop/cancel, and any button cancellation
- Fire barrier material option available to comply with California Technical Bulletin 133
- Listed to UL 60601-1, CAN/CSA C22.2 No. 601.1-M90, and IEC 60601-1

MTI Model 526 Dual-Power Pedestal Base Podiatry Chair Specifications*

Minimum seat height:	19" (48.3 cm)
Maximum Trendelenburg:	30°
Max. height at footrest w/max. tilt:	36" (91.4 cm)
Foot Section:	25" wide x 18.5" long (63.5 cm x 47 cm)
Seat Section:	24.5" wide x 21.5" long (62.2 cm x 54.6 cm)
Back Section:	23" wide x 33" long (58.4 cm to 83.8 cm)
Stainless Steel Debris Tray:	10" x 14.5" x 2.5" (25.4 cm x 36.8 cm x 6.4 cm)
Electrical:	115/60, 2 amps 230/50, 1 amp
Chair shipping weight†:	373 lbs (169 kg)
Chair shipping size†:	76" x 34" x 28" (193 cm x 86.4 cm x 71 cm)
Uph. Kit shipping weight:	29 lbs (13 kg)
Uph. kit shipping size:	27" x 9" x 43" (68.6 cm x 22.7 cm x 109.2 cm)

*Listed to UL 60601-1, CAN/CSA C22.2 No. 601.1-M90,
and IEC 60601-1

526 Chair Accessories



- A | LED Exam Light
- B | Vision Block
- C | Mayo Tray
- D | Shoe Tray
- E | Hand Control
- F | Foot Control
- G | IV Pole

(available to mount on
patient's left or right
hand side)



- A | LED Exam and
Procedure Lights
- B | IV Pole
- C | Patient Monitoring Tray
- D | Flexible Mayo Tray

(available to mount on
patient's left or right
hand side)



Seamless Upholstery
(Premium colors only)



Designer Upholstery
(Ultraleather™
colors only)



Memory Foam
(only available in
Designer Upholstery)



Caster Base
with Caster Jacks
(raises height 5.5")



Mobile Caster Cart
(raises height 15")



Casters
(raises height 3.75")



Leveling Glides, 2"



Duplex Outlet



Corded Hand Control



Paper Roll Holder, 21"



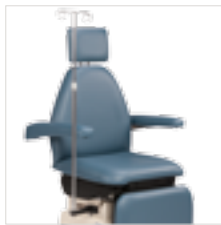
Bed Rails



Hand/Forearm
Procedure Table



Base Mounting Rail
(for mounting IV rod)



IV Rod
(mounts to Base
Mounting Rail)



Leg Wrapping Support
Mounts



Power Cord, 3' with
90-degree plug



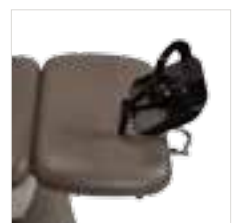
Leg Restraining Strap

Removable Leg Wrapping Support*

The patent pending leg wrapping support is a dual function support providing a calf support for wrapping the foot/heel and a heel support for wrapping the rest of the leg

The removable leg wrapping support is made from aluminum for a light-weight yet very strong support and is non-porous coated for ease in cleaning and disinfecting

The support can easily be moved to either the patient's left or right hand side of the foot section for ease of wrapping either leg or heel. *Patent Pending



530

MTI Model 530 Quad-Power Podiatry/ Wound Care Chair

Power lift, back, tilt and foot functions

Provide a safe and comfortable examination/ treatment platform with the MTI 530 Power Chair.

With the MTI 530 Quad-Power Chair, your patients can get comfortable with a full 24" (61 cm) width and an articulating power footrest, making it easy and safe for your largest patients to enter and exit the chair, even from a wheel chair. **Four user-programmable positions** assure rapid movement to often used positions.

The 530 has a seating surface which goes all the way down to 21.5" (54.6 cm). A 16" (40.6 cm) vertical rise brings your patients up to the right operating heights, and **the 530 features an industry-leading 650 lb (295 kg) lift function capacity.**

Slide-back Removable Floating Arms™ lock in the entry/exit positions and provide security for you and your patients. The under-arm locking tab makes it easy to slide the arm back to provide a hand-hold surface for a secure and easy ingress and egress.

The headrest can be extended 6" (15.2 cm) and can be removed. Optional headrests available for other specialties.

*Patented and Patent Pending





The stainless steel debris extends a full 12" (30.5 cm) using KTL Cataphoresis coated slides and is equipped with an electrical lock-out to preclude damage from accidental actuation of the footrest with the tray extended (Footrest does not extend).



Square backrest available on the S530 Chair.



Positions from upright to contour, flat, and trendelenburg are easily attained with the power lift, back, tilt, and foot functions of the MTI 530 Power Chair.

530 features

- 21.5" (54.6 cm) entry height with a 16" (40.6 cm) vertical travel power lift base
- Ultra quiet 24-volt low-voltage DC electric gear motors
- Power lift, back, tilt and foot functions (footrest does not extend)
- 650 lbs (295 kg) lifting capacity
- 24" (61 cm) maximum width of chair
- Non-articulating rectangular headrest
- 10 1/8" x 14 1/2" x 2 1/2" (25.7 cm x 36.8 cm x 6.4 cm) stainless steel debris extends a full 12 inches (30.5 cm) using KTL Cataphoresis coated slides
- All steel frame and cushion substrates
- Smooth Velcro®-attached upholstery in standard foams (optional memory foams and Ultraleather™ styles available)
- Choice of foot control, remote hand control, or back mounted hand switches* with auto return, stop/cancel, and any button cancellation *Factory installed only
- Standard four (4) position programmability allows you to automatically put the 530 into your most frequently used positions with the simple touch of a button
- Fire barrier material option available to comply with California Technical Bulletin 133
- Listed to UL 60601-1, CAN/CSA C22.2 No. 601.1-M90, and IEC 60601-1

530

MTI Model 530 Quad-Power Podiatry/ Wound Care Table Specifications*

Maximum lifting capacity:	650 lbs (295 kg)
Minimum seat height:	21.5" (54.6 cm)
Maximum seat height:	37.5" (95.3 cm)
Max. vertical elevation:	16" (40.6 cm)
Maximum Trendelenburg:	30°
Foot Section:	24" – 17" wide x 17" deep (61 – 43.2 cm x 43.2 cm)
Seat Section:	24" wide x 20.5" deep (61 cm x 52.1 cm)
Back Section:	24" – 11" wide x 22" long (61 – 27.9 cm x 55.9 cm)
Stainless Steel Debris Tray:	10" x 14.5" x 2.5" (25.4 cm x 36.8 cm x 6.4 cm)
Electrical:	115/60, 5.3 amps 230/50, 2.65 amps
Chair shipping weight†:	409 lbs (185 kg)
Chair shipping size†:	44" x 33" x 43" (111.8 cm x 83.8 cm x 109.2 cm)
Uph. Kit shipping weight:	29 lbs (13 kg)
Uph. kit shipping size:	24" x 24" x 17" (61 cm x 61 cm x 43.2 cm)

*Listed to UL 60601-1, CAN/CSA C22.2 No. 6011-M90,
and IEC 60601-1

Patent No. 7,862,123

†International weights and dimensions may vary.

530 Chair Accessories



- A | LED Exam Light
- B | Vision Block
- C | Mayo Tray
- D | Shoe Tray
- E | Hand Control
- F | Four-function
Foot Control
- G | IV Pole

(available to mount on
patient's left or right
hand side)



- A | LED Exam and
Procedure Lights
- B | IV Pole
- C | Patient Monitory Tray
- D | Flexible Mayo Tray
- E | Four-function
Foot Control

(available to mount on
patient's left or right
hand side)



Swivel Base
(340-degree)



Low Boy Caster Base
(raises height 1")



Caster Base
with Caster Jacks
(raises height 5.5")



Mobile Caster Cart
(raises height 1.5")



Casters
(raises height 3.75")



Leveling Glides, 2"



Memory Foam
(only available in
Designer Upholstery)



Patient Arm
(available in seat and
back mounted versions)



IV/Surgery Arms, 24"
(available in standard
and deluxe versions)



Hand/Forearm
Procedure Table



Bed Rails



Body and Leg
Restraining Straps



Paper Roll Holder, 18"



Duplex Outlet
(left side only)



Corded Hand Control



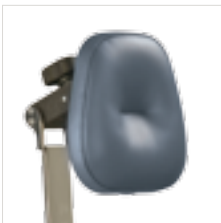
Flexible Hand Control
Caddy



Hand Switch Option



Power Cord, 3' with
90-degree plug



Oval Headrest
(9" h x 8" w)
(available in articulating
and non-articulating)



Deep Oval
Articulating Headrest
(9" h x 8" w)



Trapexoid Articulating
Headrest (8" h x 18" w)
(only available for
square back table)



Prosthetic
Articulating Headrest
(4" h x 8" w)



Horseshoe
Articulating Headrest
(10" h x 10.5" w)



Foot Control Slant
Mount



Back Rails



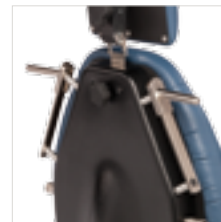
Seat Rails



Base Rails
(mount multiple
accessories to rail including
accessory rail bracket)



Base Mounting Rail
(mount multiple access-
ories to rail, including
accessory rail bracket)



Back Rail Mounted
Steering Handles



Stirrups, removable

450

MTI Model 450 Quad-Power Podiatry/ Wound Care Chair

Power lift, back, tilt and foot functions

The 450 Quad-Power Chair is technologically advanced to provide healthcare workers and patients with increased safety and strength in patient care. Four (4) synchronous power motors provide superior technology for lift, back, tilt and foot functions with an **industry-leading 650 lbs. (295 kg) rated lift function capacity.**

MTI is set further ahead of the competition with durable and long-lasting all steel frame construction. Motor safety technology includes electronic current sensing with ultra-quiet, smooth and reliable 24-volt DC motors to ensure safe patient movement and precise positioning. Patient access and comfort is enhanced with a minimum seat height of 19" (48.3 cm), seat section 24" wide x 21.5" deep (61 cm x 54.6 cm) with an overall maximum length of 83.5" (212.1 cm).

Comfort is extended with an articulating rectangular headrest with a form fitting backrest and choice of Seamless Premium Upholstery or Designer Ultraleather™ Upholstery with Memory Foam. Economics is enhanced with a **programmable foot control with auto return included** with each chair. An optional hand control is also available.

The 450 Chair is available in a low model (19" [48.3 cm]) or high model (21" [53.3 cm]) entry height with 11.5" (29.2 cm) or 16" (40.6 cm) of vertical travel, respectively.

The 450 is also available in a mobile base or swivel base version.

Model 450 Power Chair shown with seamless upholstery style and optional Removable Floating Arms™.





Positions from upright to contour, flat, and trendelenburg are easily attained with the power lift, back, tilt, and foot functions of the MTI 450 Power Chair.



Easy-glide, rotary-dampened, extendable footrest with built-in LED safety sensor that detects interferences between the chair and the floor or other objects.



Swivel base version with designer upholstery style



Mobile base version with seamless upholstery style and optional Floating Arm™ configuration.

450 features

- Low model (19" [48.3 cm]) or high model (21" [53.3 cm]) entry height
- Ultra quiet 24-volt low-voltage DC electric gear motors
- Power lift, back, tilt and foot functions (footrest extends)
- 650 lbs (295 kg) lifting capacity
- 24" (61 cm) maximum width, 23.5" (59.7 cm) foot section
- LED operational safety sensor
- Easy-glide, rotary-dampened, extendable footrest
- Foot-mounted splines for Leg wrapping support
- Floating Arms™ mechanism (arms not included)
- Rectangular articulating headrest
- All steel frame and cushion substrates
- Choice of Velcro®-attached Designer Ultraleather™ upholstery with memory foam or Seamless Premium upholstery
- Foot control with four (4) user-programmable positions with auto return, stop/cancel, and any button cancellation
- Optional hand control available
- Fire barrier material option available to comply with California Technical Bulletin 133
- Listed to UL 60601-1, CAN/CSA C22.2 No. 601.1-M90, and IEC 60601-1

450

MTI Model 450 Quad-Power Podiatry/ Wound Care Chair Specifications*

Maximum lifting capacity:	650 lbs (295 kg)
Minimum Seat Height:	19" (48.3 cm)/21" (53.3 cm)
Maximum Seat Height:	30.5" (775 cm)/37" (94 cm)
Maximum Vertical Elevation:	11.5" (29.2 cm)/16" (40.6 cm)
Maximum Trendelenburg:	30°
Foot Section:	23.5" wide x 14.5" long (59.7 cm x 36.8 cm)
Seat Section:	24" wide x 21.5" long (61 cm x 54.6 cm)
Back Section:	24" tapering to 14" wide x 22.5" long (61 cm tapering to 35.6 wide x 57.2 cm long)
Electrical:	115/60, 4 amps 230/50, 2 amp
Chair weight (Std. base)†:	369 lbs (167 kg)
Chair weight (Mobile base)†:	365 lbs (166 kg)
Chair weight (Swivel base)†:	415 lbs (188 kg)
Chair shipping weight†:	An additional 71 lbs. (32.2 kg) over model chair weight
Chair shipping size (Standard, Swivel)†:	80" x 32" x 33" (203.2 cm x 81.3 cm x 83.8 cm)
Chair shipping size(Mobile)†:	80" x 36" x 31" (203.2 cm x 91.4 cm x 78.7 cm)
Uph. kit shipping weight:	24 lbs (10.9 kg)
Uph. kit shipping size:	47" x 8" x 28" (119.4 cm x 20.3 cm x 71.1 cm)

*Listed to UL 60601-1, CAN/CSA C22.2 No. 601.1-M90,
and IEC 60601-1

Patent No. 7862,123

†International weights and dimensions may vary.

450 Chair Accessories



- A | LED Exam Light
- B | Mayo Tray
- C | IV Pole

(available to mount on
patient's left or right
hand side)

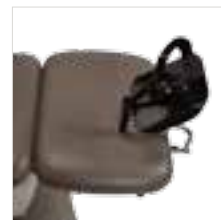
Removable Debris Tray

The Removable Debris Tray can be inserted into splines (standard feature) attached to the footrest for convenient wound care while providing patient and healthcare worker safety. Tray can articulate to any desirable position.



Removable Leg Wrapping Support*

The patent pending leg wrapping support is a dual function support providing a calf support for wrapping the foot/heel and a heel support for wrapping the rest of the leg



The removable leg wrapping support is made from aluminum for a light-weight yet very strong support and is non-porous coated for ease in cleaning and disinfecting

The support can easily be moved to either the patient's left or right hand side of the foot section for ease of wrapping either leg or heel.

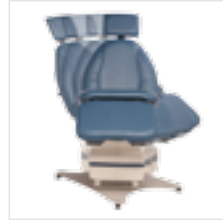
*Patent Pending



Seamless Upholstery
(Premium colors only)



Designer Upholstery
(Ultraleather™
colors only)



Swivel Base
(340-degree)



Mobile Base
(raises height 1")



Casters
(raises height 3.75")



Leveling Glides, 2"



Slide Back Removable
Floating Patient Arms



Adjustable Patient Arm
(available in seat and
back mounted versions)



IV/Surgery Arms, 24"
(available in standard
and deluxe versions)



Hand/Forearm
Procedure Table



Bed Rails



Power Cord, 3' with
90-degree plug



Body and Leg
Restraining Straps



Paper Roll Holder, 18"



Duplex Outlet



Corded Hand Control



Flexible Hand Control
Caddy



Foot Control
Slant Mount



Oval Headrest
(9'h x 8'w)
(available in articulating
and non-articulating)



Deep Oval
Articulating Headrest
(9'h x 8'w)



Prosthetic
Articulating Headrest
(4'h x 8'w)



Horseshoe
Articulating Headrest
(10'h x 10.5'w)



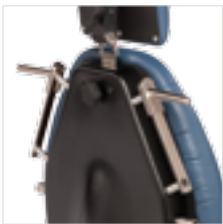
Visual Block
Curtain. Removable
(mounts to patient's
left or right hand side)



Stirrups, removable



Back Rails



Back Rail Mounted
Steering Handles



Seat Rails



Base Rails (mount
multiple accessories
to rail, including
accessory rail bracket)



Accessory Rail Mount
Bracket

450W

MTI Model 450W Quad-Power Podiatry/ Wound Care Table

Power lift, back, tilt and foot functions

The 450W Quad-Power Bariatric Table is MTI's strongest and most technologically advanced table to provide healthcare workers and patients with increased safety and strength in patient care. Four (4) synchronous power motors provide superior technology for lift, tilt, back, and foot functions with an **industry-leading 800 lbs. (363 kg) rated lift function capacity.**

MTI is set further ahead of the competition with durable and longlasting all steel frame construction. Motor safety technology includes electronic current sensing with ultra-quiet, smooth and reliable 24-volt DC motors to ensure safe patient movement and precise positioning. Patient access and comfort is enhanced with a minimum seat height of 19" (48.3 cm), seat section 30" wide x 21.5" deep (76.2 cm x 54.6 cm) with an overall maximum length of 83.5" (212.1 cm).

Comfort is extended with an articulating trapezoidal headrest with a form fitting backrest and choice of Seamless Premium Upholstery or Designer Ultraleather™ Upholstery with Memory Foam. Economics is enhanced with a **programmable foot control with auto return included** with each chair. An optional hand control is also available.

The 450W Table is available in a low model (20" [50.8 cm]) or high model (22" [55.9 cm]) entry height with 11.5" (29.2 cm) or 16" (40.6 cm) of vertical travel, respectively.

The 450W is also available in a mobile base or swivel base version.



Model 450W Power Table shown with standard seamless upholstery and optional Removable Floating Arms™.



Positions from upright to contour, flat, and trendelenburg are easily attained with the power lift, back, tilt, and foot functions of the MTI 450 Power Table.



Easy-glide, rotary-dampened, extendable footrest with built-in LED safety sensor that detects interferences between the chair and the floor or other objects.



Swivel base version with designer upholstery style



Mobile base version with seamless upholstery style and optional Floating Arm™ configuration.

450W features

- Low model (19" [48.3 cm]) or high model (22" [55.9 cm]) entry height
- Ultra quiet 24-volt low-voltage DC electric gear motors
- Power lift, back, tilt and foot functions
- 800 lbs (363 kg) lifting capacity
- 30" (76.2 cm) maximum width, 30" (76.2 cm) foot section
- LED operational safety sensor
- Easy-glide, rotary-dampened, extendable footrest
- Foot-founded splines for leg wrapping support
- Floating Arms™ mechanism (arms not included)
- Trapezoid articulating headrest
- All steel frame and cushion substrates
- Choice of Velcro®-attached Designer Ultraleather™ upholstery with memory foam or Seamless Premium upholstery
- Foot control with four (4) user-programmable positions with auto return, stop/cancel, and any button cancellation
- Optional hand control available
- Fire barrier material option available to comply with California Technical Bulletin 133
- Listed to UL 60601-1, CAN/CSA C22.2 No. 601.1-M90, and IEC 60601-1

450W

MTI Model 450W Quad-Power Podiatry/ Wound Care Table Specifications*

Maximum lifting capacity:	800 lbs (363 kg)
Minimum Seat Height:	20" (50.8 cm)/22" (55.9 cm)
Maximum Seat Height:	30.5" (77.5 cm)/37" (94 cm)
Maximum Vertical Elevation:	11.5" (29.2 cm)/16" (40.6 cm)
Maximum Trendelenburg:	30°
Foot Section:	29.5" wide x 14.5" long (74.9 cm x 36.8 cm)
Seat Section:	30" wide x 21.5" long (76.2 cm x 54.6 cm)
Back Section:	30" contoured to 27" wide x 23" long (76.2 cm contoured to 68.6 wide x 58.4 cm long)
Electrical:	115/60, 4 amps 230/50, 2 amp
Table weight (Std base)†:	389 lbs (176 kg)
Table weight (Mobile base)†:	402 lbs (182 kg)
Table weight (Swivel base)†:	433 lbs (196 kg)
Table shipping weight†:	An additional 71 lbs. (32.2 kg over model table weight)
Table shipping size (Standard, Swivel)†:	80" x 36" x 31" (203.2 cm x 91.4 cm x 78.7 cm)
Table shipping size(Mobile)†:	48" x 48" x 53" (121.9 cm x 121.9 cm x 134.6 cm)
Uph. Kit shipping weight:	31 lbs (41.1 kg)
Uph. kit shipping size:	47" x 8" x 34" (119.4 cm x 20.3 cm x 86.4 cm)

*Listed to UL 60601-1 Part 1, CAN/CSA C22.2 No. 601-1 M90 Part 1, European GENELEC EN 60601-1 Safety Standards for Medical Electrical Equipment Part 1, and IEC60601-1-2 (2001-09)-Part 1-2.

Patent No. 7862,123

†International weights and dimensions may vary.

450W Table Accessories



- A | LED Exam Light
- B | Mayo Tray
- C | IV Pole

(available to mount on patient's left or right hand side)

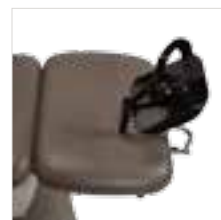
Removable Debris Tray

The Removable Debris Tray can be inserted into splines (standard feature) attached to the footrest for convenient wound care while providing patient and healthcare worker safety. It may also be articulated into any position.



Removable Leg Wrapping Support*

The patent pending leg wrapping support is a dual function support providing a calf support for wrapping the foot/heel and a heel support for wrapping the rest of the leg.



The removable leg wrapping support is made from aluminum for a light-weight yet very strong support and is non-porous coated for ease in cleaning and disinfecting.

The support can easily be moved to either the patient's left or right hand side of the foot section for ease of wrapping either leg or heel.

*Patent Pending



Seamless Upholstery
(Premium colors only)



Designer Upholstery
(Ultraleather™
colors only)



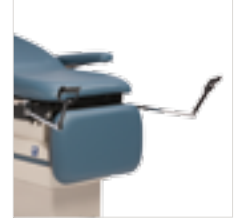
Swivel Base
(340-degree)



Mobile Base
(raises height 1")



Leveling Glides, 2"



Stirrups, removable



Slide Back Removable
Floating Patient Arms



Patient Arm
(available in seat and
back mounted versions)



IV/Surgery Arms, 24"
(available in standard
and deluxe versions)



Hand/Forearm
Procedure Table



Bed Rails



Visual Block
Curtain, Removable
(mounts to patient's
left or right hand side)



Body and Leg
Restraining Straps



Paper Roll Holder, 21"



Duplex Outlet



Corded Hand Control



Flexible Hand Control
Caddy



Power Cord, 3' with
90-degree plug



Oval Headrest
(9"h x 8"w)
(available in articulating
and non-articulating)



Deep Oval
Articulating Headrest
(9"h x 8"w)



Rectangular Headrest
(8"h x 12"w)
(available in articulating
and non-articulating)



Prosthetic
Articulating Headrest
(4"h x 8"w)



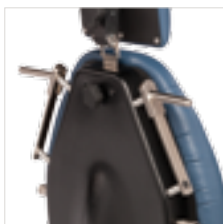
Horseshoe A
rticulating Headrest
(10"h x 10.5"w)



Foot Control
Slant Mount



Back Rails



Back Rail Mounted
Steering Handles



Seat Rails



Base Rails (mount
multiple accessories
to rail, including
accessory rail bracket)



Accessory Rail Mount
Bracket

Removable Leg Wrapping Support (RLWS)*

Avoid health care professional injury by using MTI's patent pending leg wrapping support.

The patent pending leg wrapping support is a dual function support providing a calf support for wrapping the foot/heel and a heel support for wrapping the rest of the leg. It is available in a chair mounted and portable version.

The removable leg wrapping support is made from aluminum for a light-weight yet very strong support and is non-porous coated for ease in cleaning and disinfecting.

The support can easily be moved to either the patient's left or right hand side of the chair's foot section for ease of wrapping either leg or heel. A 12" (30.5 cm) extension adjustment accommodates even the tallest of patients.



Foot/Heel wrapping position



Leg wrapping position

View Product Demonstration Video

Scan QR code with your smart phone to see a video demonstration of the leg wrapping support or go to: www.mti.net/MTI-Leg-Wrapping-Support.aspx



Portable Leg Wrapping Support*

Light-weight yet strong, this portable support simplifies the wrapping of the leg or foot no matter where you use it. The mobile leg support folds-up into a compact unit for mobile applications. Take it in its carry bag with you anywhere: home, hospital, or on the road.

*Patent Pending



Foot/Heel wrapping position



Leg wrapping position

DV Dust Vac™

The free standing DV-1 Dust Vac™ uses a high volume vacuum motor and a large diameter hose and tip for up to 40% greater air flows at the drill tip. This large volume of "directed" vacuum can remove more dust particles than other systems and can eliminate particles down to 0.1 micron when equipped with an optional filter bag and disk.

Adaptor kits available for Dremel, Wizard, Aseptico, and other hand drills.

- 6" wide x 8" deep x 13" high
- Weight: 7 lbs (3.2 kg)
- Electrical: 115V./60hz 9.6 amps



DV-1 Dust Vac™



DV-3 Dust Vac™ with foot control

Mobile Treatment Cabinets

The MTI MTC Series of cabinets feature European styling with appealing rounded side panel edges and molded handles, premium industrial wood components and Wilsonart Crystal color laminate outside and melamine laminated inside.

Standard features include: Choice of 22" (559 cm) deep or 18" (457 cm) deep counter top*, four hard rubber casters, laminate inside and out, European drawer construction and hinge hardware, 3 mm drawer/door edge molding, resilient counter top edge guard, choice of Crystal or Black counter top and backwall, and choice of one of MTI's seven Standard Laminate Cabinet colors for the doors and drawers.

Other options are available such as lift up shelf, recessed dirty instrument trays, drawer locks, and more.



Optional 3 and 4 cavity plastic molded drawer inserts available.



Crystal



Brittany Blue



Shadow



Dove Grey



Grey



Sangaree



Light Beige



MTC-1

The MTC-1 is a 33.5" (85.1 cm) high and 24" (61 cm) wide mobile treatment cabinet with five drawers and a 4" (10.2 cm) backsplash



MTC-A

The MTC-A is a 33.5" (85.1 cm) high and 24" (61 cm) wide mobile treatment cabinet with three drawers, two doors and a 4" (10.2 cm) backsplash



MTC-B

The MTC-B is a 41" (104.1 cm) high and 24" (61 cm) wide mobile treatment cabinet with four drawers, two doors and a 4" (10.2 cm) backsplash



MTCDV-2

The MTCDV-2 is a 33.5" (85.1 cm) high and 24" (61 cm) wide mobile treatment cabinet with MTI's Dust Vac™ built into the five-drawer cabinet. The vacuum can be equipped with adaptors to fit most of today's popular drills

*MTCDV-2 is only available in the standard 21" (53.3 cm) deep model.

Side Chairs

The MTI 301 Side Chair without arms and the MTI 302 Side Chair with arms complete your office in the same or a different décor than your other MTI exam room furniture. Available in MTI's Premium Upholstery and Ultraleather™ material as well as special colors and fabrics. Also available in TB133 construction to meet CAL133 requirements.

- Contoured seat and backrest for a comfortable and sturdy support
- Adjustable leveling feet
- Legs that kickback, preventing the chair from damaging the wall
- Black steel tubular frame
- 400 lb (181.4 kg) weight capacity



302 Side Chair with arms



301 Side Chair without arms

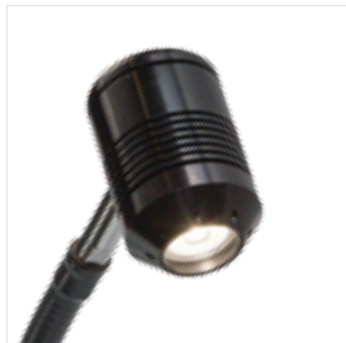
Green Lights

The benefits of energy-efficient lighting.

LEDs are much more energy efficient, using up to 50% less power than halogen lights and reducing cost for practice and hospitals.

- Lower electricity bills
- Improve lighting quality and worker productivity
- Reduce maintenance and replacement costs with long life
- Contribute to a cleaner, safer environment
- Produce nearly no heat for greater patient/professional comfort

According to the EPA, if energy-efficient lighting was used everywhere it was profitable, electricity demands for lighting would be reduced by 50 percent and aggregate national electricity requirements would be cut by 10 percent. Energy savings would exceed \$12 billion a year while decreasing air pollution by five percent. This would be equivalent to taking 15 million cars off the road, resulting in less smog, acid rain and a slowing of global climate change. (www.energystar.gov)



Lumerus™

- Head size of 2.25" (5.7 cm)
- 70,000 hour rated LEDs
- 4,100° K ±300° K
- Light Intensity @ 16" (406 cm): 24,800 lux (2,300 fc)
- Spot Size @ 16" (406 cm): 5" (12.7 cm) dia
- 5-year limited warranty



Clarus 4™

- Head size of 3" (7.6 cm)
- 40,000 hour rated LEDs
- 4,300° K ±300° K
- Light Intensity @ 12" (305 cm): 21,500 lux (2,000 fc)
- Spot Size @ 12" (305 cm): 3" (7.6 cm) dia
- 2-year limited warranty



Clarus 7™

- Head size of 3.5" (8.9 cm)
- 40,000 hour rated LEDs
- 4,300° K ±300° K
- Light Intensity @ 16" (406 cm): 33,400 lux (3,100 fc)
- Spot Size @ 16" (406 cm): 8" (203 cm) dia
- 2-year limited warranty



Each Light is available in a caster base and floor stand version.



The Lumerus™ light also available in chair post-mounted version.

LED Lights



System Two LED Surgery Light*

- 25.5" diameter (648 mm) light head
- 130,000 lux output at 1 meter
- 5 stage dimming control from sterile handle
- 9" (229 mm) - 14" (356 mm) adjustable light pattern
- 4,200° (-/+300) Kelvin color temperature
- 60 LED's rated at 50,000 hours
- Voltage is 100-240V



MI 1000 LED Procedure Light*

- 16" (406 mm) diameter light head
- 100,000 lux output at 1 meter
- 5 stage dimming control from a sterile handle
- On/Off button on sterile handle
- 4,300° Kelvin color temperature
- 36 LED's rated at 50,000 hours
- Voltage is 100-240V



MI 750 LED Procedure Light*

- 14.5" (368 mm) diameter light head
- 50,000 lux output at 1 meter
- 3 stage dimming control from a sterile handle
- On/Off button on sterile handle
- 4,300° Kelvin color temperature
- 12 LED's rated at 50,000 hours
- Voltage is 100-240V



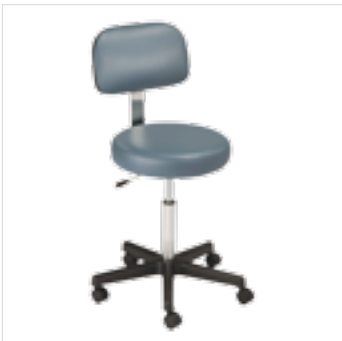
MI 500 LED Exam Light*

- 6" (150 mm) diameter flood pattern at 24" (61 cm)
- 43,000 lux output at 24" (61 cm)
- 4,300° Kelvin color temperature at 24" (61 cm)
- 8 LED's rated at 50,000 hours
- Voltage is 100-240V

*3-year parts limited warranty

Physician/Assistant Seating

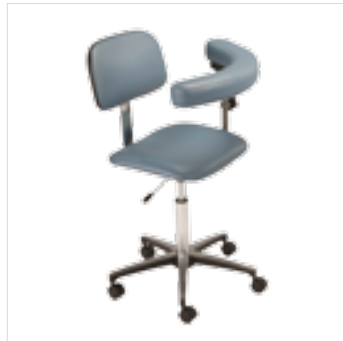
Many seating chairs and options are available. Please see additional brochure for physician and assistant seating.



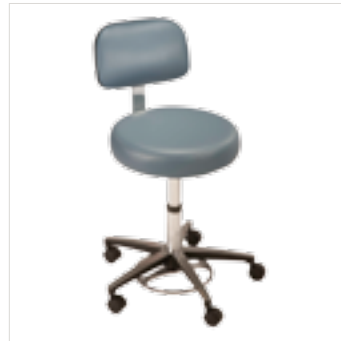
MTI's SG 5-caster stool with two way adjustable ergonomic back support provides a comfortable seat and adds elegance to any exam room. Available in two operating heights:

High Model
21.5" - 28.75" (54.6 cm - 73 cm)

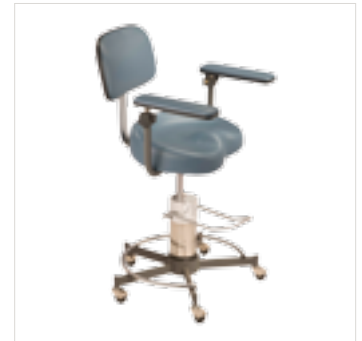
Low Model
17.5" - 22.5" (44.5 cm - 57.2 cm)



EG13721 Pneumatic Hand Operated Chair with Ergonomic Back and Curved Body Support



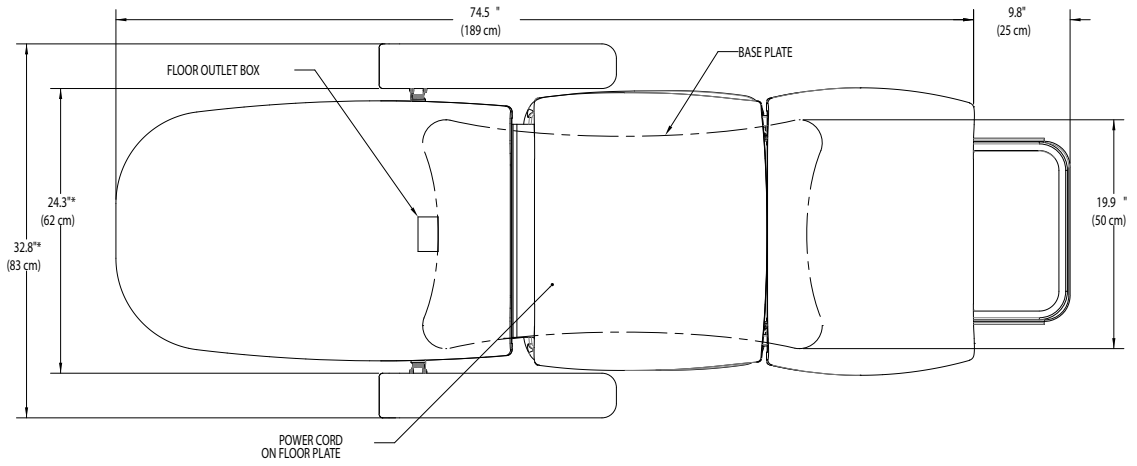
FG51121 Pneumatic Foot Operated Chair with 4-way Adjustable Back



HY42422 Hydraulic Foot Operated Surgery Chair with Twin Arms

527, 527W, 526 CHAIRS

*Add 6.5" (16.5 cm) for
527W Dimensions

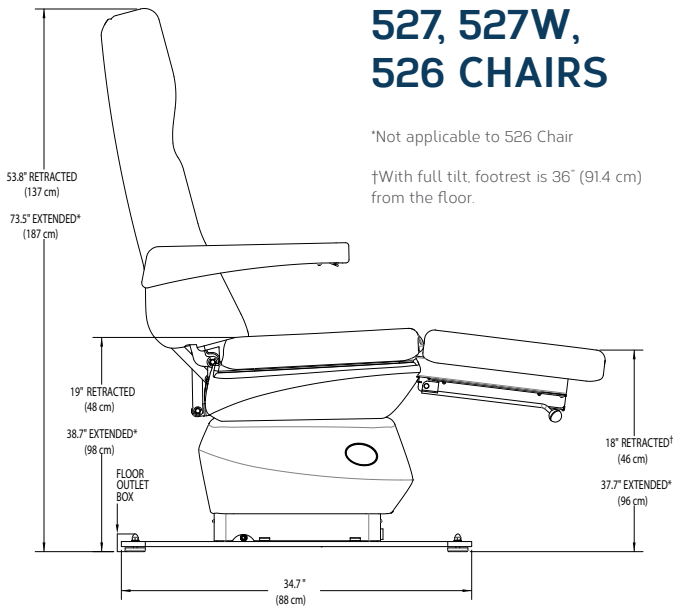


1. WITH FOOT SECTION EXTENDED THE CHAIR IS 86.5" (220 cm) LONG. WITH FOOT SECTION AND DEBRIS TRAY EXTENDED THE CHAIR IS 96.3" (245 cm) LONG.

527, 527W, 526 CHAIRS

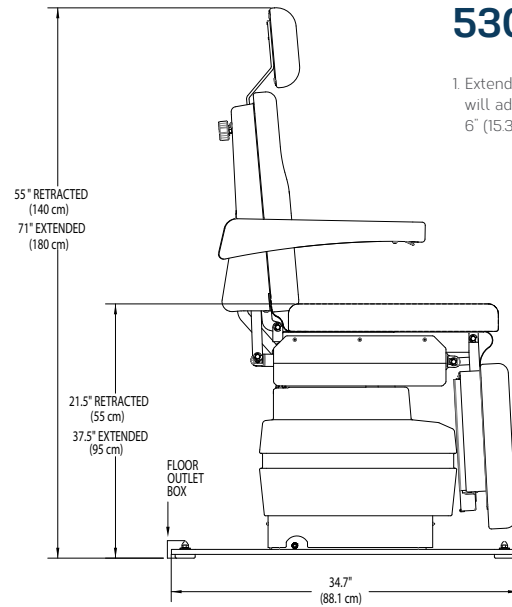
*Not applicable to 526 Chair

†With full tilt, footrest is 36" (91.4 cm) from the floor.



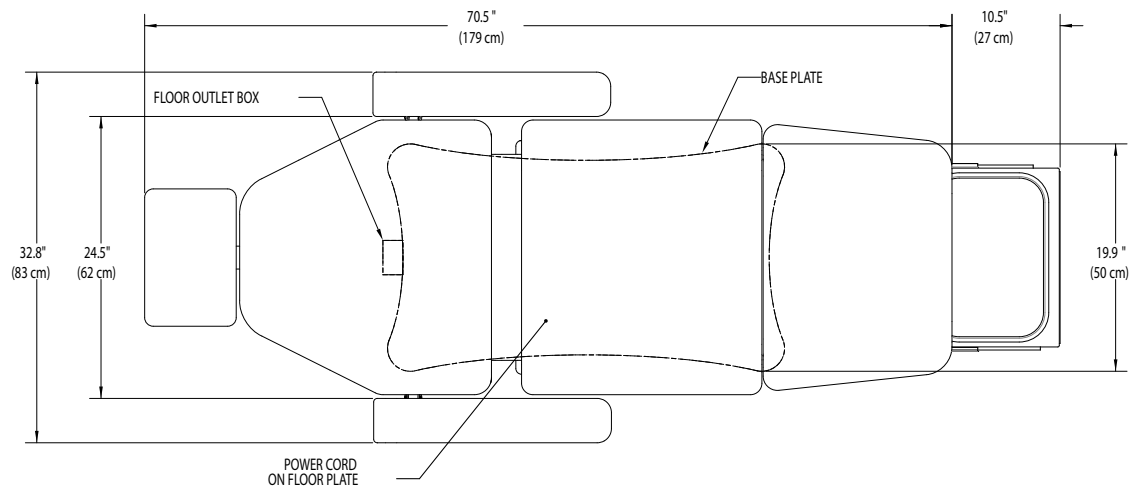
530 TABLE

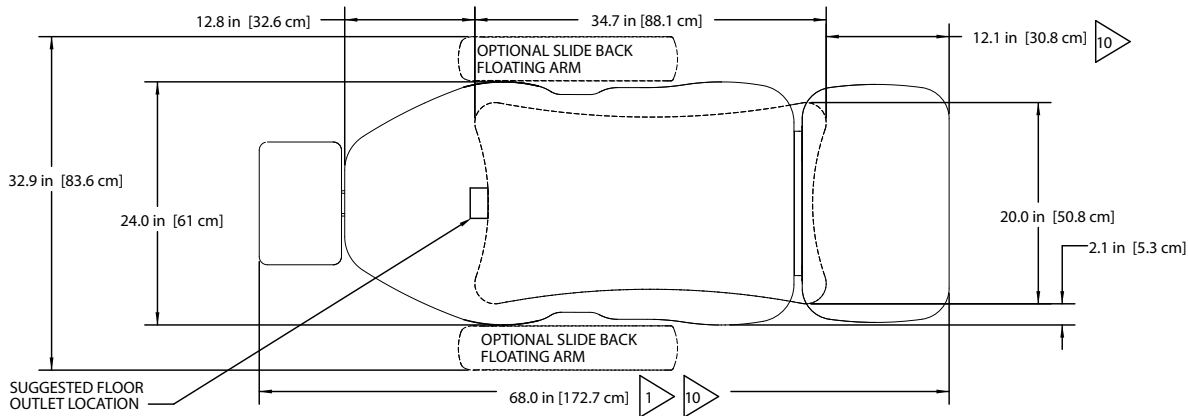
1. Extending headrest will add approximately 6" (15.3 cm).



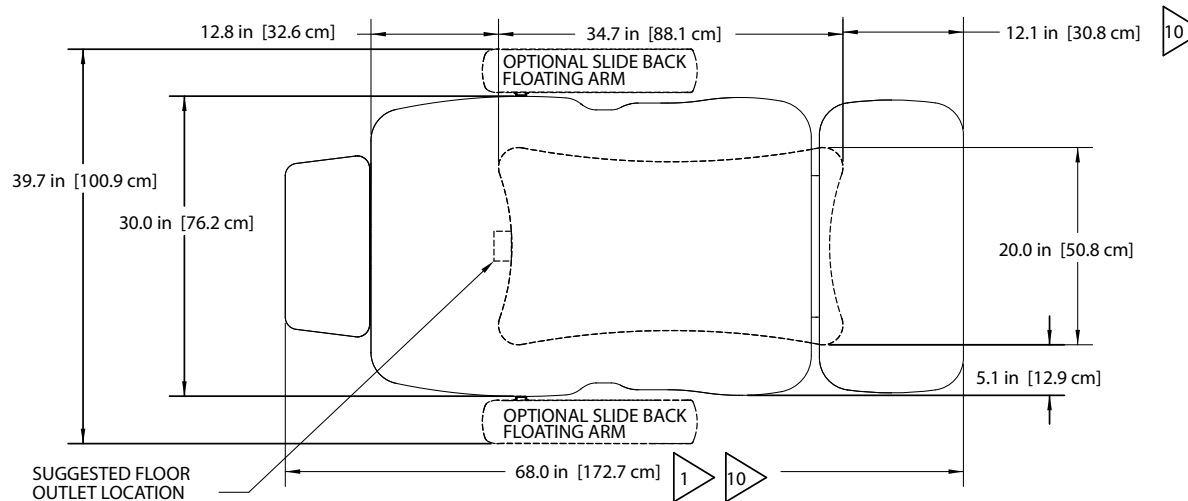
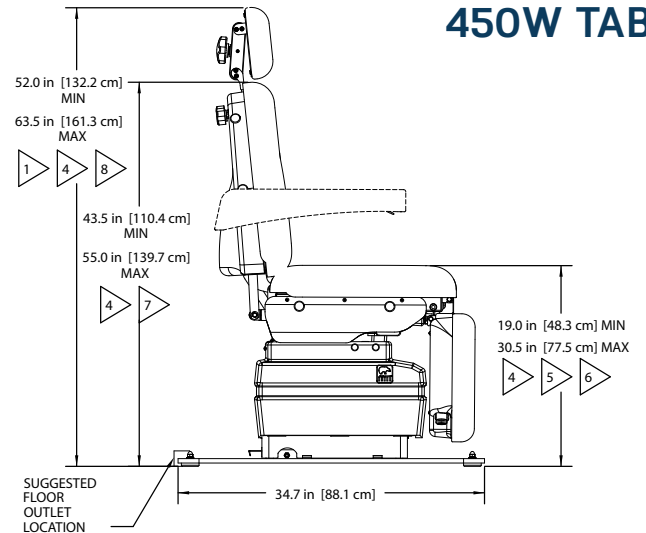
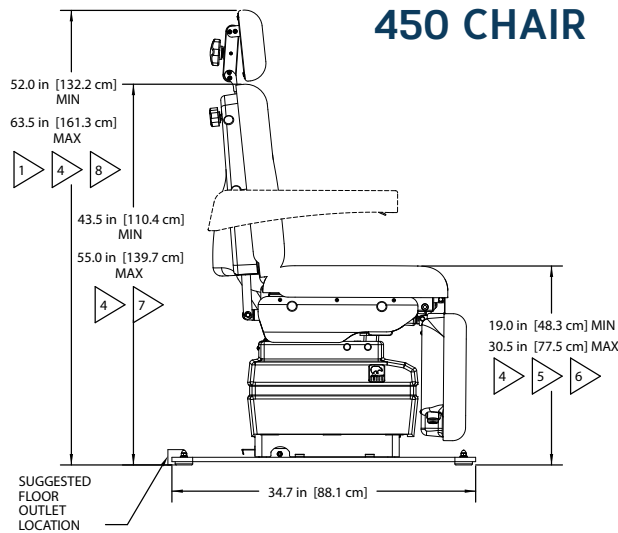
530 TABLE

1. Extending headrest will add approximately 6" (15.3 cm). With debris tray extended, the chair is 81" (206 cm) long. Footrest does not extend.





450 CHAIR



450W TABLE

450 CHAIR

1. The headrest extension adds up to 6 in [15.2 cm].
2. Optional 3 foot power cord with 90° plug available.
3. 115V x 4 amps and 230V x 2 amps options available.
4. Swivel base option adds 1.75 in [4.4 cm] to overall height.
5. Dimension measured in a compressed upholstery state.
6. For 450H model chair dimensions are 21.0 in [53.3 cm] Min and 37.0 in [94.0 cm] Max.
7. For 450H model chair dimensions are 45.5 in [115.7 cm] Min and 61.5 in [156.2 cm] Max.
8. For 450H model chair dimensions are 54.0 in [137.2 cm] Min and 70.0 in [177.8 cm] Max.
9. Upholstery related dimensions may vary from those shown up to 2.5 in [6 cm].
10. The footrest extension adds up to 9.5 in [24.1 cm].

450W TABLE

1. The headrest extension adds up to 6 in [15.2 cm].
2. Optional 3 foot power cord with 90° plug available.
3. 115V x 4 amps and 230V x 2 amps options available.
4. Swivel base option adds 1.75 in [4.4 cm] to overall height.
5. Dimension measured in a compressed upholstery state.
6. For 450WH model table dimensions are 21.0 in [53.3 cm] Min and 37.0 in [94.0 cm] Max.
7. For 450WH model table dimensions are 45.5 in [115.7 cm] Min and 61.5 in [156.2 cm] Max.
8. For 450WH model table dimensions are 54.0 in [137.2 cm] Min and 70.0 in [177.8 cm] Max.
9. Upholstery related dimensions may vary from those shown up to 2.5 in [6 cm].
10. The footrest extension adds up to 9.5 in [24.1 cm].

Patent No. 7,862,123
International weights and dimensions may vary.



3655 W Ninigret Drive
Salt Lake City, Utah, 84104-6572
(800) 924-4655 | (801) 875-4999 | Fax (801) 952-0548 | www.mti.net



© MTI, Inc. All rights reserved. | MTI reserves the right to make any product changes without notice.
071036 Rev C (08/15)