

SMR[®] MaxiChair[®] Select

The Legend Continues...



▲ **3 POSITION MEMORY**
You program your most preferred chair positions for convenience and efficiency during exams.

▲ **400 POUND LIFT**
Highest lift capacity in the industry, providing uncompromising stability for all your patients. (Tested to 800 pounds!)

▲ **ADA COMPLIANT**
An optional design meets the 19" access requirement for tax credit, under the Americans with Disabilities Act. Check with your tax advisor for details.

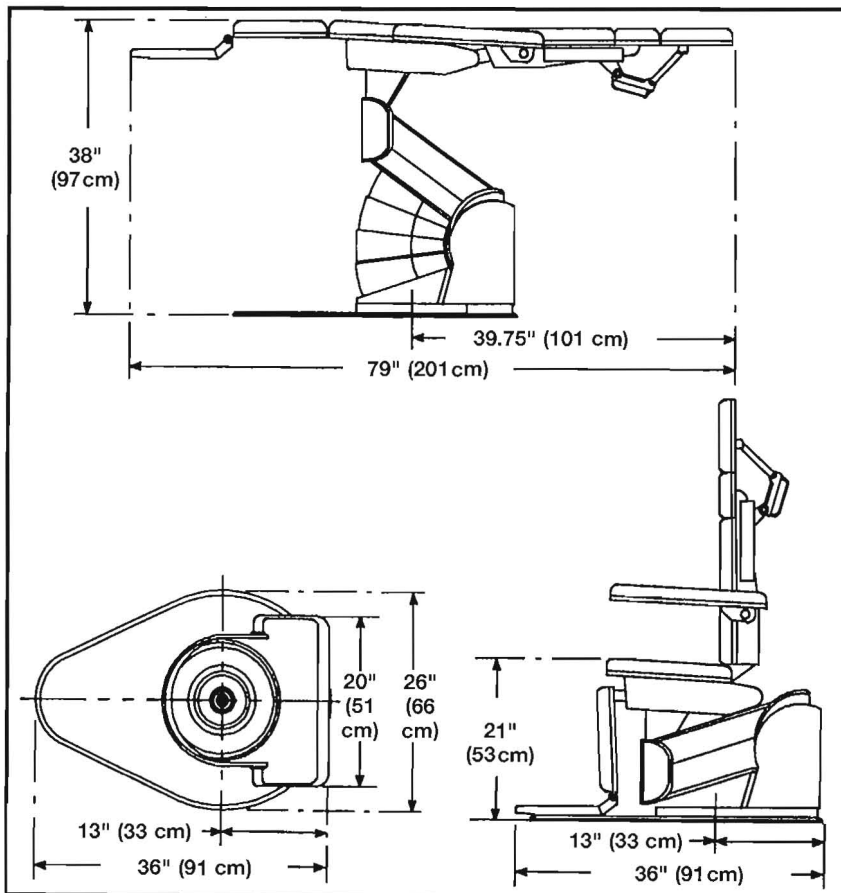
▲ **RELIABILITY**
For over 75 years, SMR has provided the most comprehensive sales and support network in the industry.

GLOBAL
SURGICAL CORPORATION

1-800-861-3585
www.globalsurgical.com

Global Surgical S2700 Series Maxi®Chair Select Specifications

ITEMS	SPECIFICATIONS
Electrical Requirements: Input: Fuse: *w/optional Solarlite™ **w/o optional Solarlite™	115 VAC +/- 10%, 60 Hz, 7.75 Amps* 115 VAC +/- 10%, 60 Hz, 7.5 Amps** (1 ea.) 5 x 20 MM, 10 Amp, Time Delay (1 ea.) 5 x 20 MM, 2 Amp, Time Delay
Shipping Weight	395 lbs. (182 KG)
Base Dimensions	26" x 36" (66 x 91 cm)
Overall Height	50.75" (129 cm)
Maximum Lift Capacity	400+ lbs. (182 + KG)
Range of Chair Back Angle Adjustment Maximum Upright Position Maximum Reclined Position/Trendelenberg Position	90° Above Horizontal 10° Below Horizontal
Chair Seat Angle (Fixed)	3° Tilted Back
Chair Seat Size	18.25" (46 cm) wide x 16.25" (41 cm) deep
Range of Seat Elevation Minimum Elevation Maximum Elevation	17" (43 cm) ADA Compliant Option 21" (53 cm) 19" (48 cm) 38" (97 cm) 36" (91 cm)
Required Working Space for Chair Upright Position Reclined Position	36" x 28" (91 cm x 71 cm) 79" x 28" (201 cm x 71 cm)
Environmental Factors: Storage, Transport and Operation: Operating Temperatures Storage Temperatures Non-condensing Relative Humidity Operating Storage	+50° F (10° C) to 90° F (32° C) -20° F (-28° C) to +150° F (65° C) 20% to 85% 20% to 85%



Overall Dimensions

GLOBAL
SURGICAL CORPORATION
800-861-3585
636-861-3388
www.globalsurgical.com