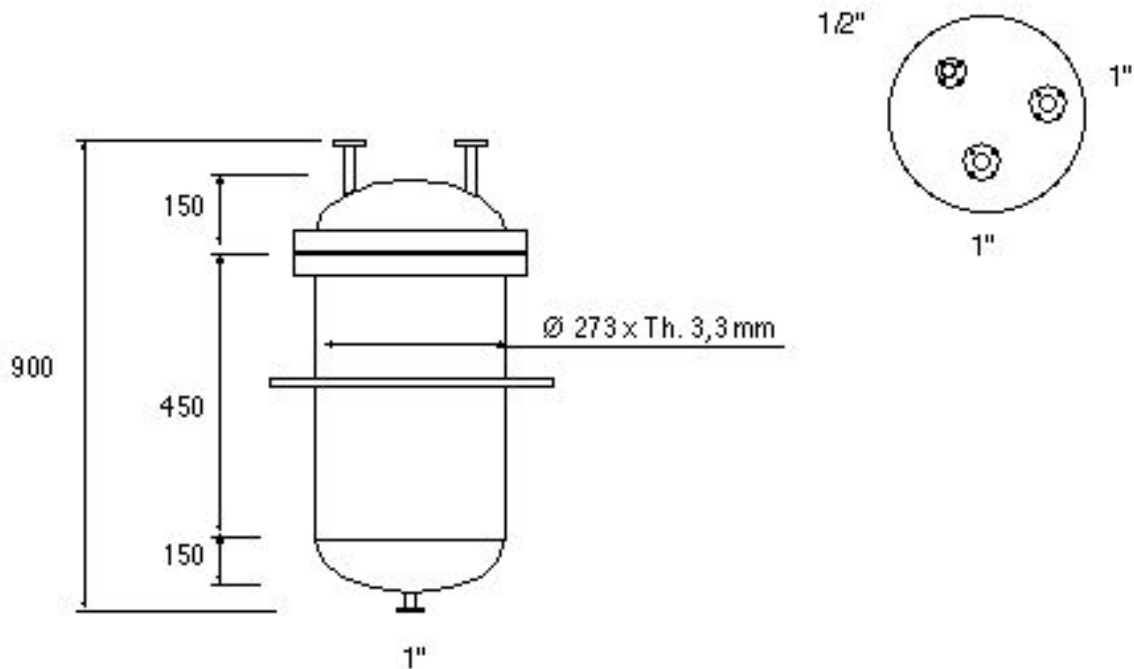


# COPRINOX

## VESSEL

Code n° **VV 001 1471**

Location ref: 11 T2



<b>CAPACITY LITERS</b> <u>32</u>	<b>SHELL SIDE</b>	<b>JACKET/COIL SIDE</b>	
Design Pressure KG/cm2	-1/+0,7		
Design Temperature °C	50		
Material	AISI 316		
ANCC or ISPESL certification: <u>NOT</u>	<b>NOZZLE DIMENSIONS</b>		
Availability in stock n° <u>01</u> units	Pos	Service	Size inch.
<b>MANUFACTURER</b> <u>MAZZANTI SpA</u>	A		
<input checked="" type="checkbox"/> USED	B		
<input type="checkbox"/> USED RECONDITIONED	C		
<input type="checkbox"/> UNUSED	D		
	E		
<b>WEIGHT (approx) Kg</b> <u>70.</u>	<b>NOTE</b> _____		