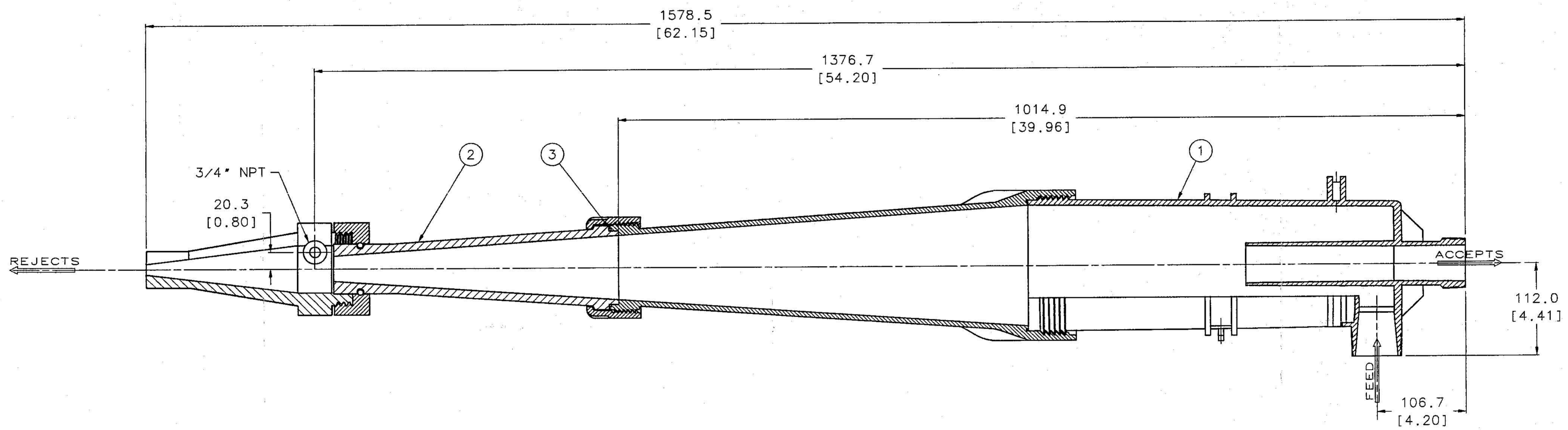


4004603
USED ON
*
*
*

ITEM No.	DRAWING No. PART No.	QTY	MATERIAL	DESCRIPTION
1	4000859	1	NYLON	ASSEMBLY, #5 3/4
2	4003621	1	ALUMINUM OXIDE	SUB-ASSEMBLY- CONE
3	1022038	1	EPM	O-RING- .139 SECTION DIA. - UNS#238



THIS DRAWING IS ISSUED TO VERIFY THE DIMENSIONS OF EQUIPMENT SUPPLIED BY THERMO BLACK CLAWSON INC.
 CUSTOMER *Sprague Paper-board*
 MTL *Versailles CT*
 CUSTOMER ORDER *116-000425*
 SHOP ORDER *8438791*
 THERMO BLACK CLAWSON INC. MIDDLETOWN, OHIO USA
 DATE OF CERTIFICATION *4/5/89*

C.A.D. DRAWING DO NOT UPDATE MANUALLY
 STANDARD TOLERANCES UNLESS OTHERWISE SPECIFIED
 METRIC: WHOLE NUMBER ±1, ONE PLACE DECIMAL ±0.3, TWO PLACE DECIMAL ±0.15, ANGULAR ±0.5°
 INCH: ONE PLACE DECIMAL ±0.04, TWO PLACE DECIMAL ±0.01, THREE PLACE DECIMAL ±0.005, ANGULAR ±0.5°
 THESE LIMITS DO NOT APPLY TO ASSEMBLY OR FOUNDATION PLAN DRAWINGS

ORDER No. ---	REF DRG No. 4003468	SUPERSEDES ---
SERIAL No. ---	USED ON SEE G-1	SUPERSEDED BY ---
CUSTOMER ---	WEIGHT ---	PATTERN No. ---

CONFIDENTIAL
 This document, including all information contained therein, is the exclusive and confidential property of Thermo Black Clawson Inc. and the document and information are not to be copied, reproduced or delivered to others in whole or in part, except with express written permission, and the document is to be returned promptly after having served the purpose for which delivered.
 In addition, you agree that the modification of the equipment relating to this print/contributes to a defect on such equipment shall relieve Thermo Black Clawson Inc. of its warranty obligations and to the extent that such unauthorized modification contributes directly or indirectly, to an injury to any person or damages property, you hereby agree to indemnify and hold Thermo Black Clawson Inc. harmless from any liability or claim resulting therefrom.

1	UPDATE W/ NEW TBC T*BLK	ALL	18FEB98	WJB	<i>[Signature]</i>
1	ECN #98-0099	ALL	18FEB98	WJB	<i>[Signature]</i>

THERMO BLACK CLAWSON INC.
 A Thermo Fibertek company
 RECYCLED FIBER • CHEMICAL PULPING • STOCK PREPARATION
 Middletown, Ohio USA

TITLE: **ASSEMBLY, ULTRA-CLONE CLEANER WITH ULTRASAVER & CERAMIC TIP**

DRAWN	M. HUDON	DATE	26 SEP 1996	THIRD ANGLE PROJECTION	SCALE
CHECKED	J. C.	DATE	9-26-96		3/8
APPROVED	J. E.	DATE	11-24-96		

098 DRG. No. 4004603 REV 1 SHEET 1 OF 1