

smart

smart



www.ilapak.com



TECHNICAL SPECIFICATIONS

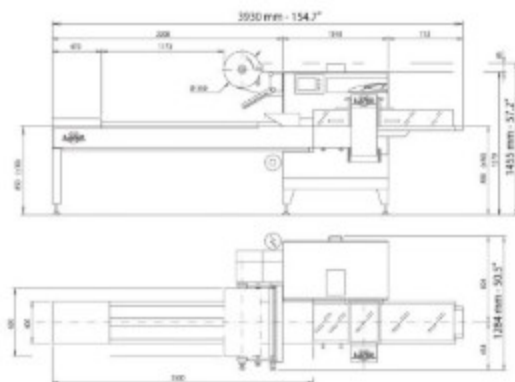
Machine speed	Up to 100 cpm, single jaw. Up to 200 cpm, twin jaws 150mm - 5.9" Production output dependent upon product, film and machine specifications.
Product dimensions	
LENGTH	50/550 mm - 2/21.6" with any jaws centres and length
WIDTH	20/230mm - 0.8/9" with jaw length 250mm - 9.8" 20/300mm - 0.8/11.8" with jaw length 325mm - 12.8"
HEIGHT	Up to 90mm - 3.5" with jaw centre 150mm - 5.9" Up to 120mm - 4.7" with jaw centre 180mm - 7.1"
Film cut-off	Up to 630mm - 24.8" Cut-off defined as: product length+height+40mm (1.6"), depending on product characteristics.
Wrapping materials	Suitable heat-sealable films, such as plain, or co-extruded polypropylene (PP), laminate films (e.g. OPP+PE), as well as cold sealable films of suitable quality
Film reel dimensions	
CORE Ø	76mm - 3"
OUTER Ø	350mm - 13.8"
WIDTH	650mm - 25.6"
Film reel max weight	40 kg - 88 lbs
Electronic platform	Industrial PLC
Power requirement	From 220 to 480V, 50/60 Hz, 3-phase, 5kVA
Compressed air	6 bar, 1l/min with air gusseting
Machine weight	850 kg - 1874 lbs

MAIN STANDARD FEATURES

- PLC-controlled HFFS machine with rotary sealing jaws.
- Multi-axis drive technology with 3 independent drive circuits consisting of an AC motor controlled by a frequency inverter for product infeed, sealing rollers and rotary sealing jaws.
- Operator interface with TFT touch screen display, 5,7" wide.
- 99 program memory; two-level password protection security.
- Automatic adjustment of film-pull, infeed and sealing parameters during product of program change.
- Precision temperature control circuits ensure seal strength and quality.
- No product/ no bag.
- Single piece transparent guarding with safety interlock.
- Robust mechanical construction with welded sheet metal main body, epoxy powder coating or (opt.) stainless-steel finishing.
- Hygienic design with cantilevered body and infeed, for easy clean down.
- Single film reel mounting with self-centering cones, right hand machine version, 2,5 m long infeed, standard.

Please discuss your needs with our local representative to configure these machines to your product's specific requirements.

ILAPAK is ISO 9001:2000 certified



All measurements not specified in inches are given in millimeters.

These specifications are not binding. We reserve that right to change them without prior notice.