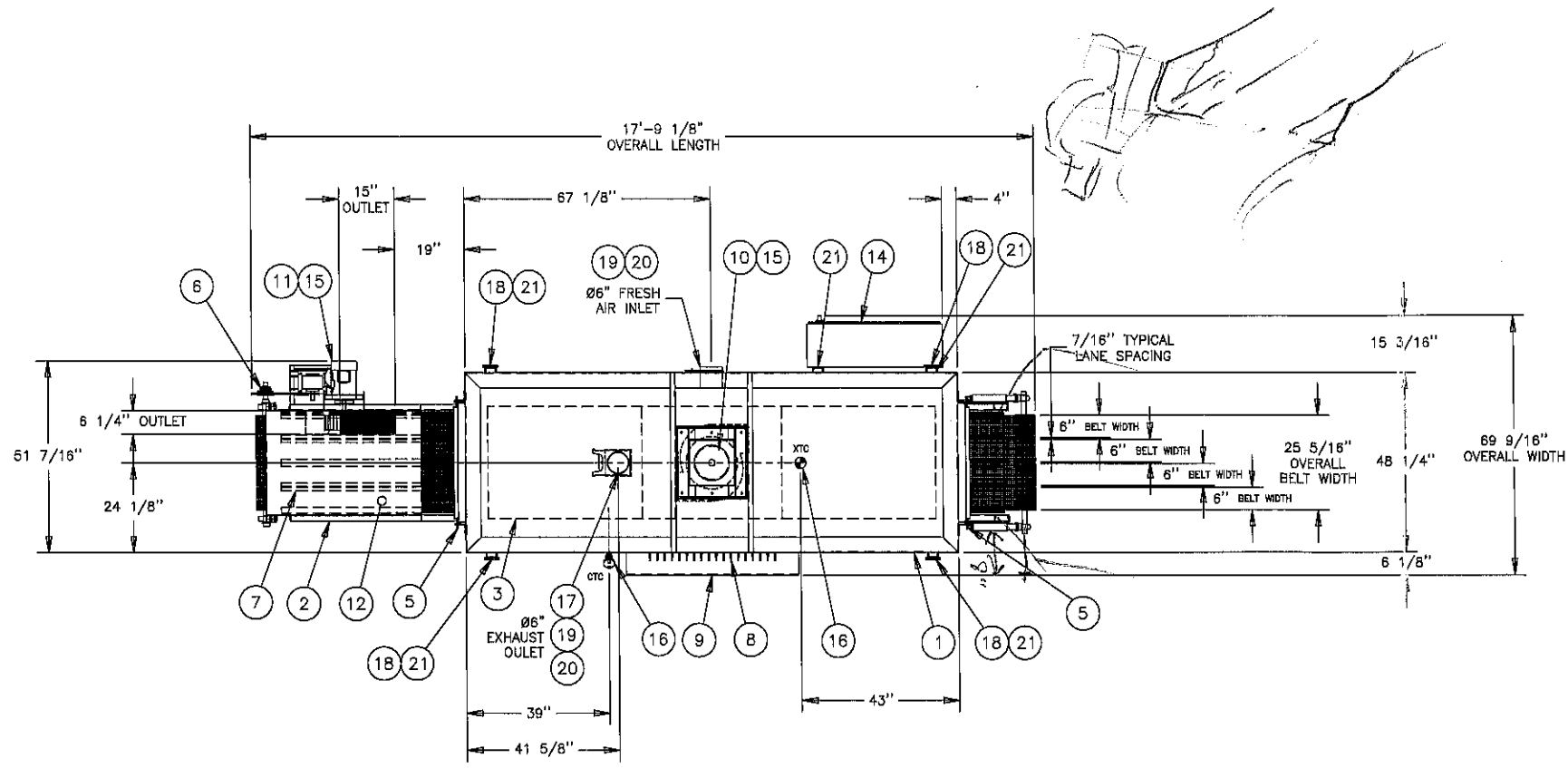
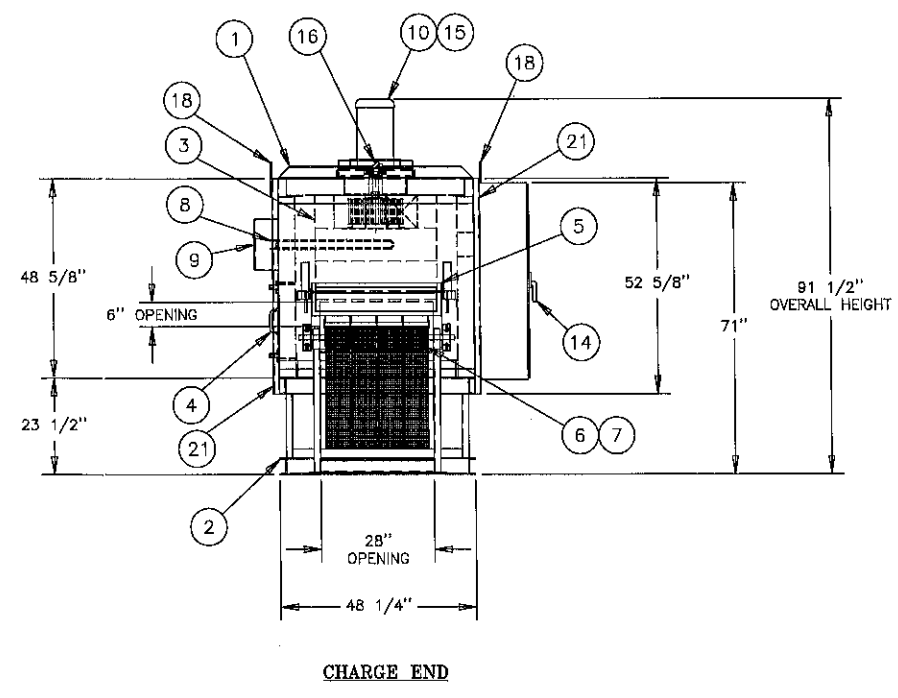
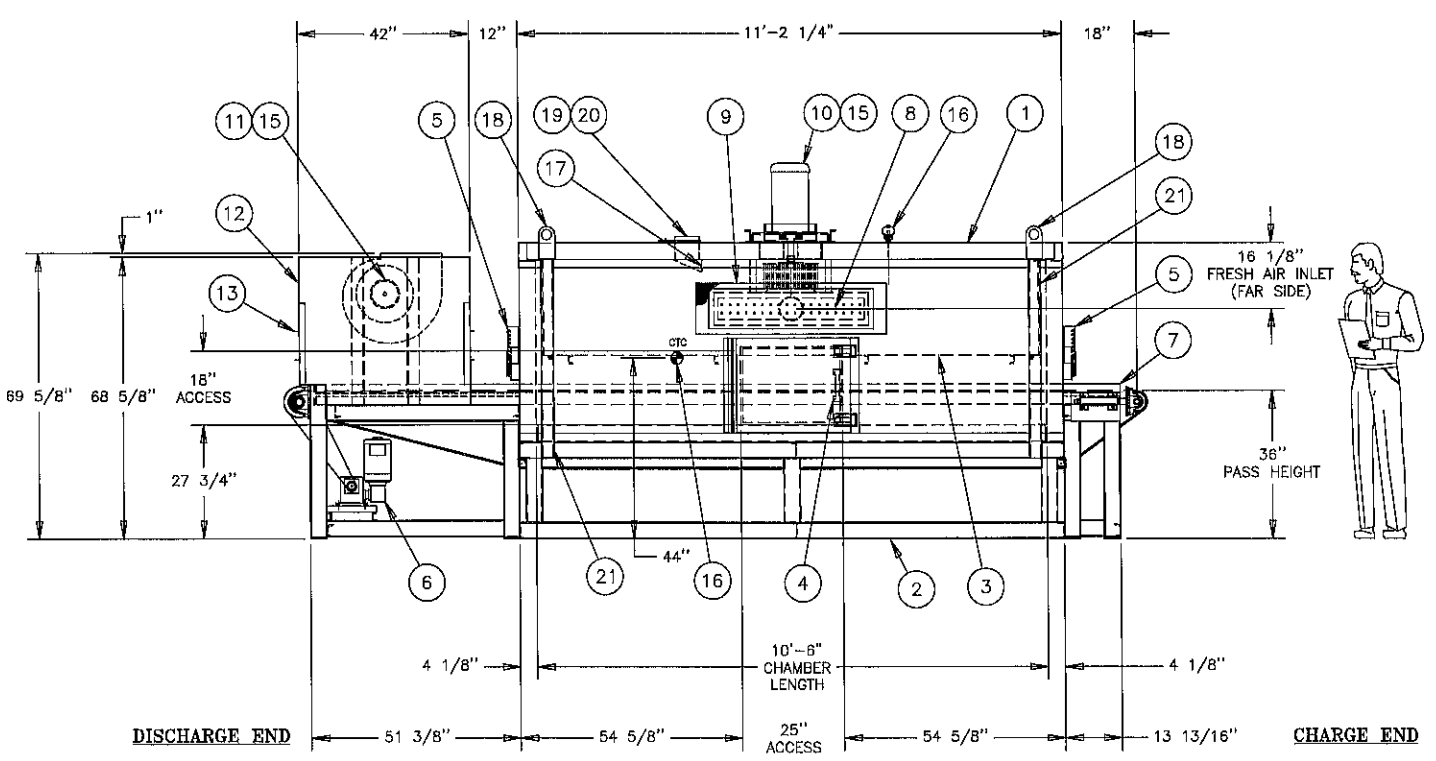


THIS DRAWING, INCLUDING THE PRINCIPLE OF DESIGN, IS THE PROPERTY OF AND IS SUBMITTED BY WISCONSIN OVEN CORPORATION WITH THE AGREEMENT THAT IT IS NOT TO BE REPRODUCED, COPIED, OR LOANED, IN PART OR WHOLE. IT IS NOT TO BE USED IN ANY MANNER THAT MAY CONSTITUTE A DETRIMENT DIRECTLY OR INDIRECTLY TO WISCONSIN OVEN CORP. ACCEPTANCE OF THIS DRAWING WILL BE CONSTRUED AS AN AGREEMENT TO THE ABOVE.



**SPECIFICATIONS:**  
**ELECTRICAL:** 480V/3PH/60Hz APPROX. 59 AMPS  
**HEAT INPUT:** 36 KW  
**RECIRCULATION:** 7,000 CFM @ 7 1/2 HP  
**COOLDOWN:** 3,400 CFM @ 3 HP  
**EXHAUST:** Ø6" DAMPERED  
**TEMPERATURE:** 500°F MAXIMUM  
 325°F NORMAL  
**CONVEYOR:** 12#/SQ FT @ 2.8 IN/MIN  
**PAINT COLOR:** OVEN- BEACH BONE WHITE  
 CONTROL PANEL- BEACH BONE WHITE  
 CONDUIT- NOT PAINTED  
 GUARDS- OSHA YELLOW

- NOTES:**
1. WOC MEDIUM LOGO TO BE LOCATED ON CENTERLINE OF OVEN ABOVE PROFILE OPENING
  2. TEMPERATURE UNIFORMITY: ±10°F @ 325°F
  3. THIS OVEN IS NOT RATED FOR CLASS "A" OPERATION
  4. APPROXIMATE SHIPPING WEIGHT: 4,800 lbs



QTY	ITEM	DESCRIPTION	PART NO.	DRWG OR STD. NO.	GRP
5	(21)	C 3" Ø 4.1# / FT X 52 5/8" LG	308 0004		
2	(20)	SHT 20 GA ALZD X 5" X 19 1/4" LG	301 0013	ROLL TO Ø6" 1/2" NOTCH 1 END	
2	(19)	BLASTGATE Ø6"	311 0047		
4	(18)	STD LIFTING LUG	309 0034		
1	(17)	STD AIR SCOOP ASSEMBLY	S 220-3-2390		GRP 02
2	(16)	STD THERMOCOUPLE MOUNTING	S 220-4-1813		GRP 01
2	(15)	STD AIR FLOW SWITCH MOUNTING	S 220-4-1814		GRP 01
1	(14)	POWER & CONTROL ASSEMBLY	501-4-1527		
2	(13)	PROFILE PLATE ASSEMBLY - COOLDOWN	203-4-2023		
1	(12)	COOLDOWN SHELL ASSEMBLY	231-4-1045		
1	(11)	DIRECT DRIVE BLOWER ASSEMBLY - COOLDOWN	206-4-1230		
1	(10)	STD DIRECT DRIVE BLOWER ASSEMBLY	220-3-1961		GRP 04
1	(9)	TERMINAL GUARD ASSEMBLY	214-4-1154		GRP 05
1	(8)	HEATER PLUG ASSEMBLY	217-4-1165		GRP 05
1	(7)	SLIDE BED ASSEMBLY	222-4-2454		
1	(6)	CONVEYOR DRIVE ASSEMBLY	221-4-1316		
2	(5)	ADJUSTABLE PROFILE DOOR ASSEMBLY - 2" THICK	203-4-2022		
1	(4)	ACCESS DOOR ASSEMBLY - 25" W X 18" H	203-4-1973		
1	(3)	SUPPLY DUCT ASSEMBLY	202-4-2715		
1	(2)	BASE FRAME ASSEMBLY	207-4-1663		
1	(1)	PANEL ASSEMBLY	208-4-2455		

WISCONSIN OVEN CORP. EAST TROY, WISCONSIN 53120		REV. C
GENERAL ASSEMBLY TOP FLOW/E/COOL		DWG. NO. 108-4-1414
DRAWN BY TT DATE 7/15/02	CHK'D BY KR DATE 7/16/02	JOB NO CMO8158
AS BUILT/SHIPPED TT 10/3/02	CUSTOMER CHANGES IN OVEN LENGTH AS RELEASED FOR APPROVAL TT N/6/02	SCALE 1/2"=1'-0"
AS RELEASED FOR APPROVAL TT 7/16/02	REVISION BY DATE	Page 1 of 1