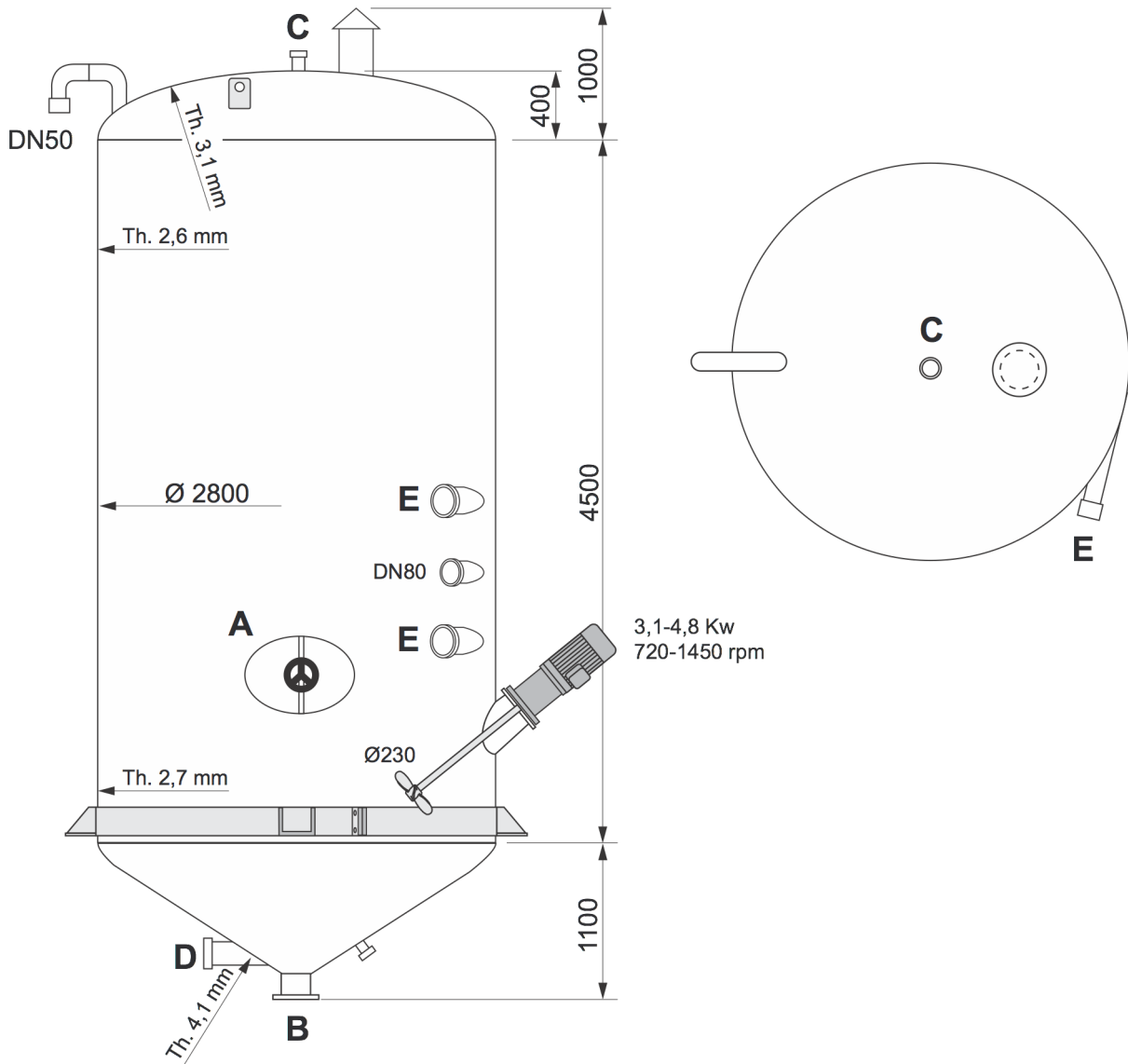


COPRINOX

VESSEL

Code n° **VV 315 1590**Location ref: **19 B4**CAPACITY LITERS **31.500**

SHELL SIDE

JACKET/COIL SIDE

Design Pressure KG/cm²
Design Temperature °C
Material

Atm

--

--

--

AISI 316

--

ANCC or ISPESEL certification: **N.A.**Availability in stock n° **1** units

NOZZLE DIMENSIONS

Pos	Service	Size
A	Manhole	
B	Product outlet	DN125
C	Service	DN50
D	Product outlet	DN100
E	Product inlet / service	DN100

MANUFACTURER **RAUM ITALIA** USED USED RECONDITIONED UNUSED

NOTE

WEIGHT (approx) Kg **1500**