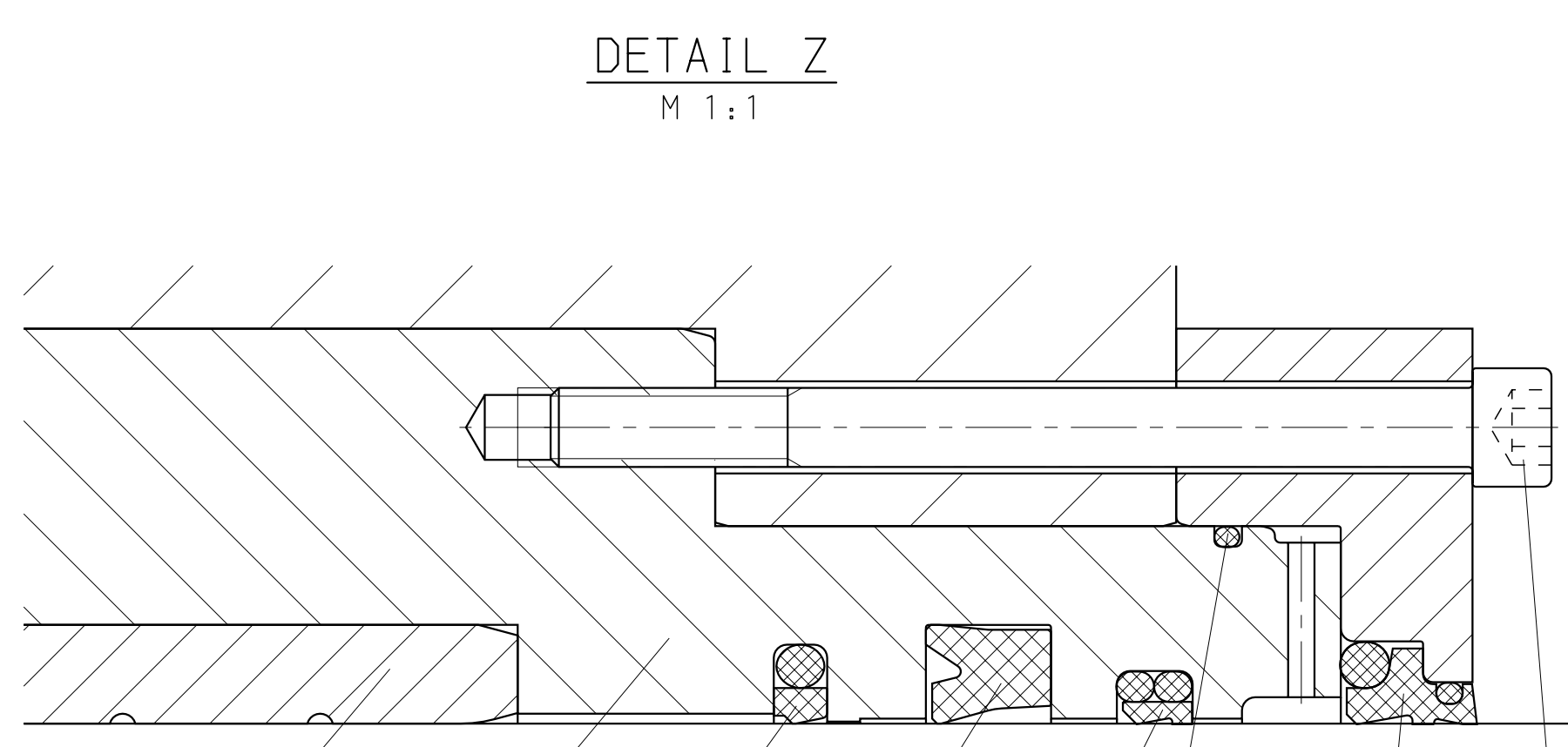
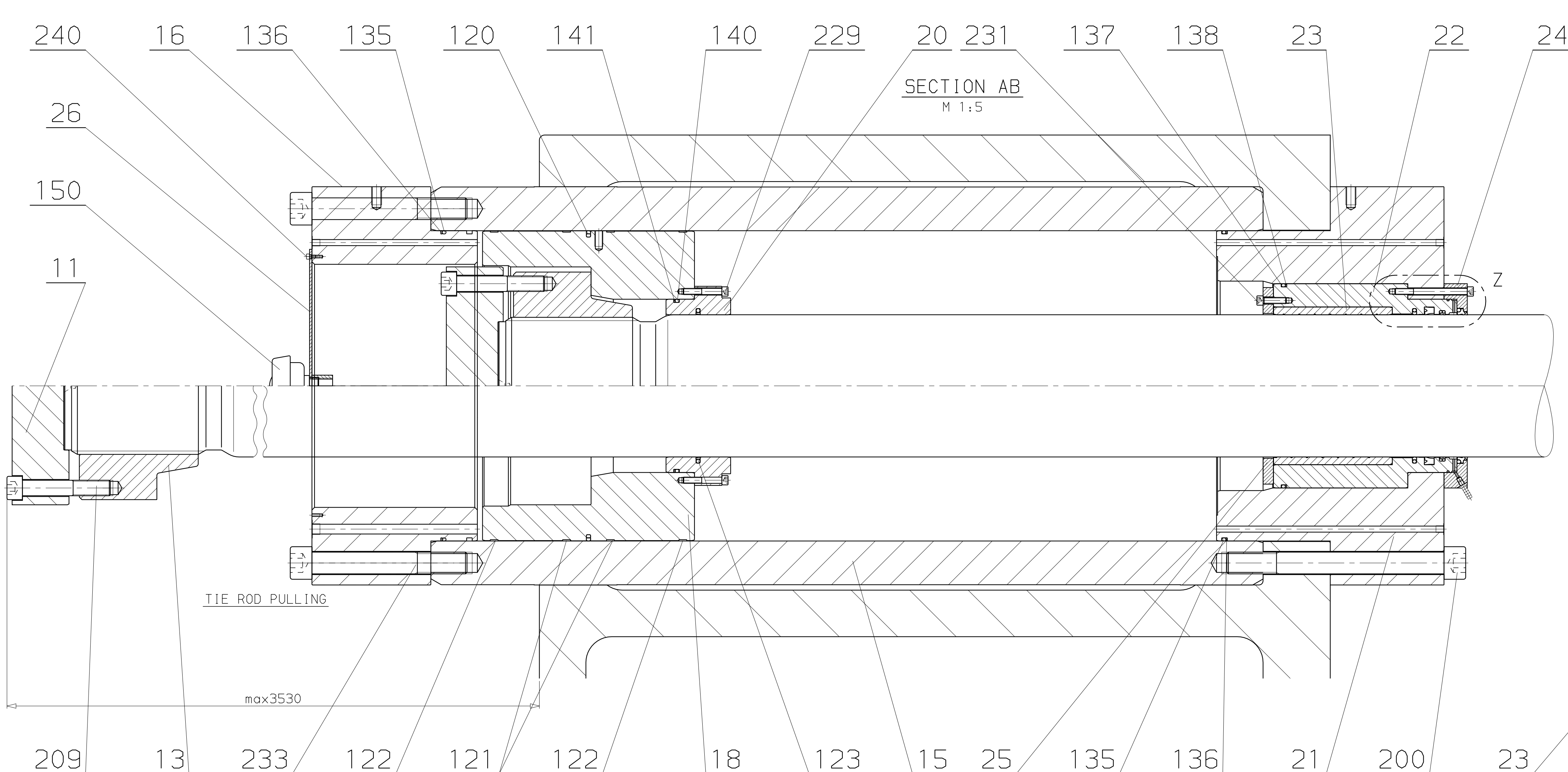
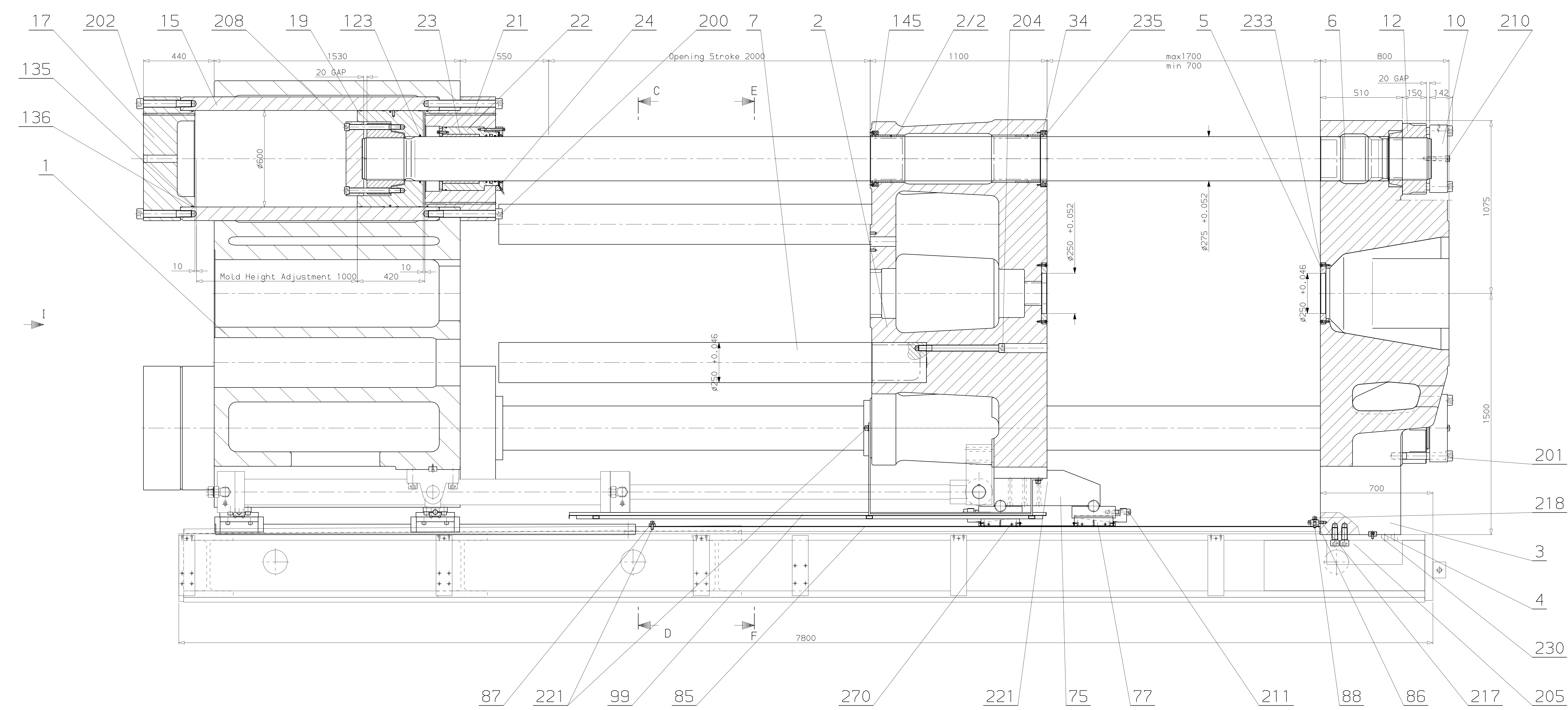


A B C D E F G H J K M N

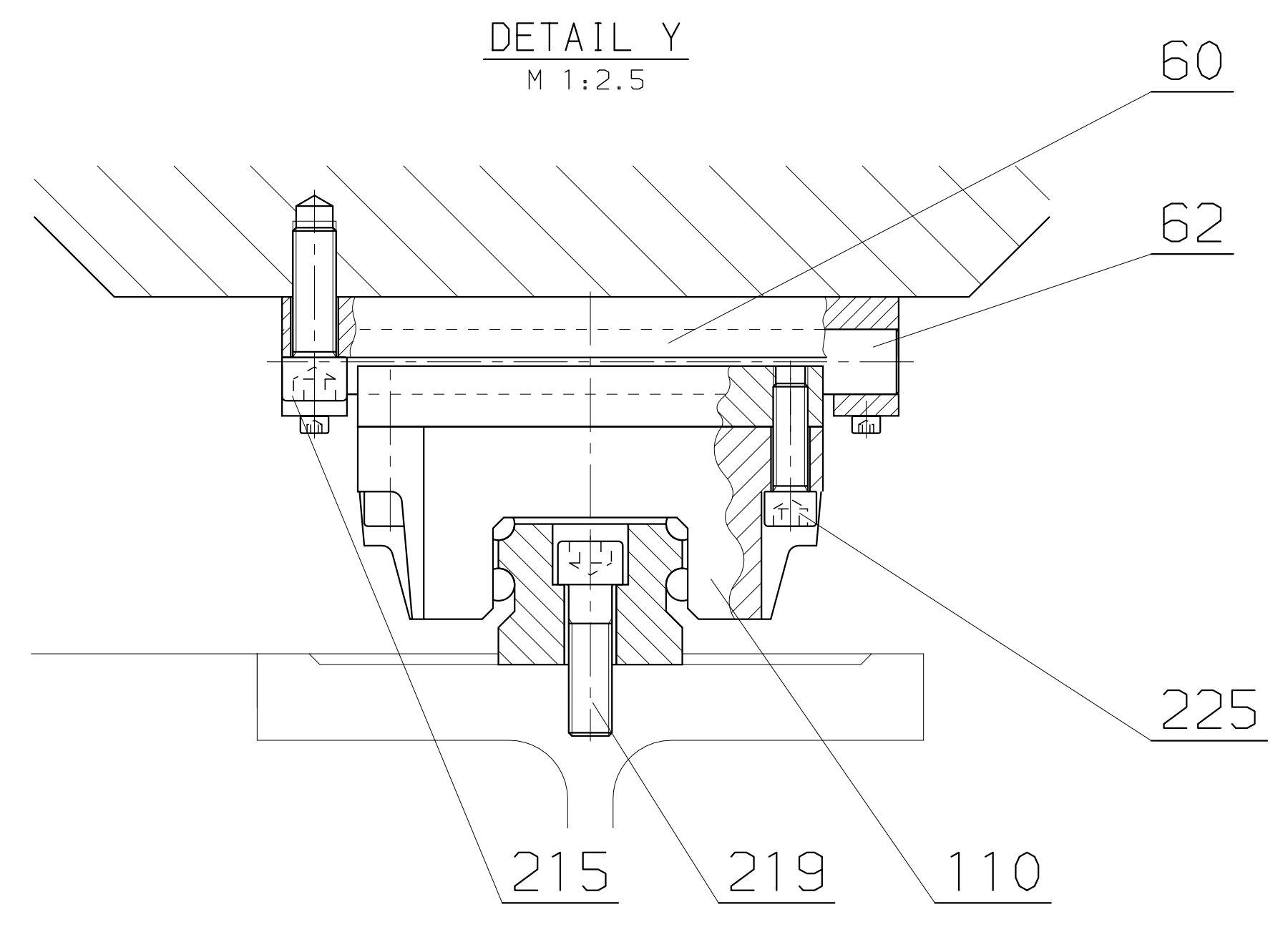
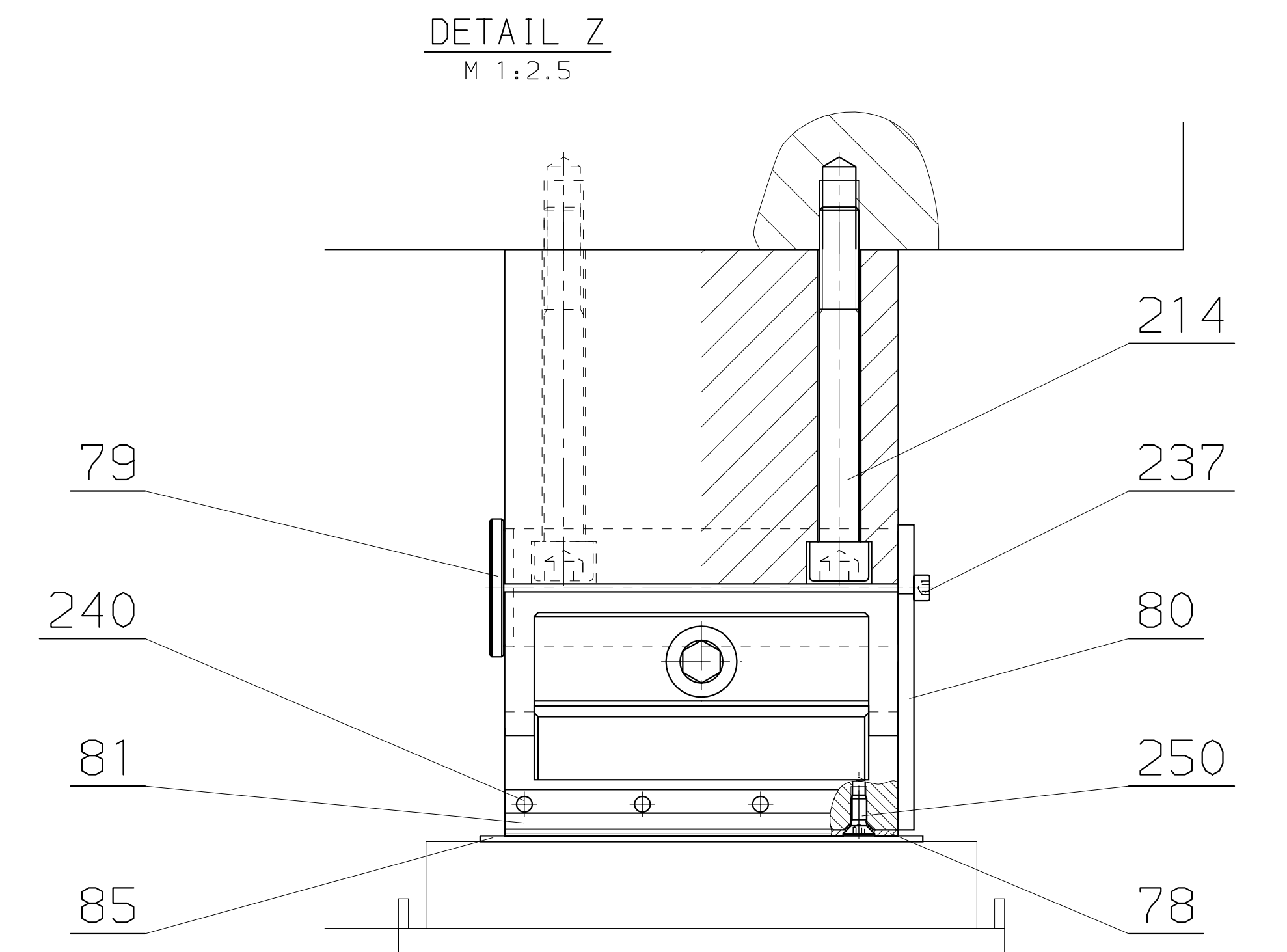
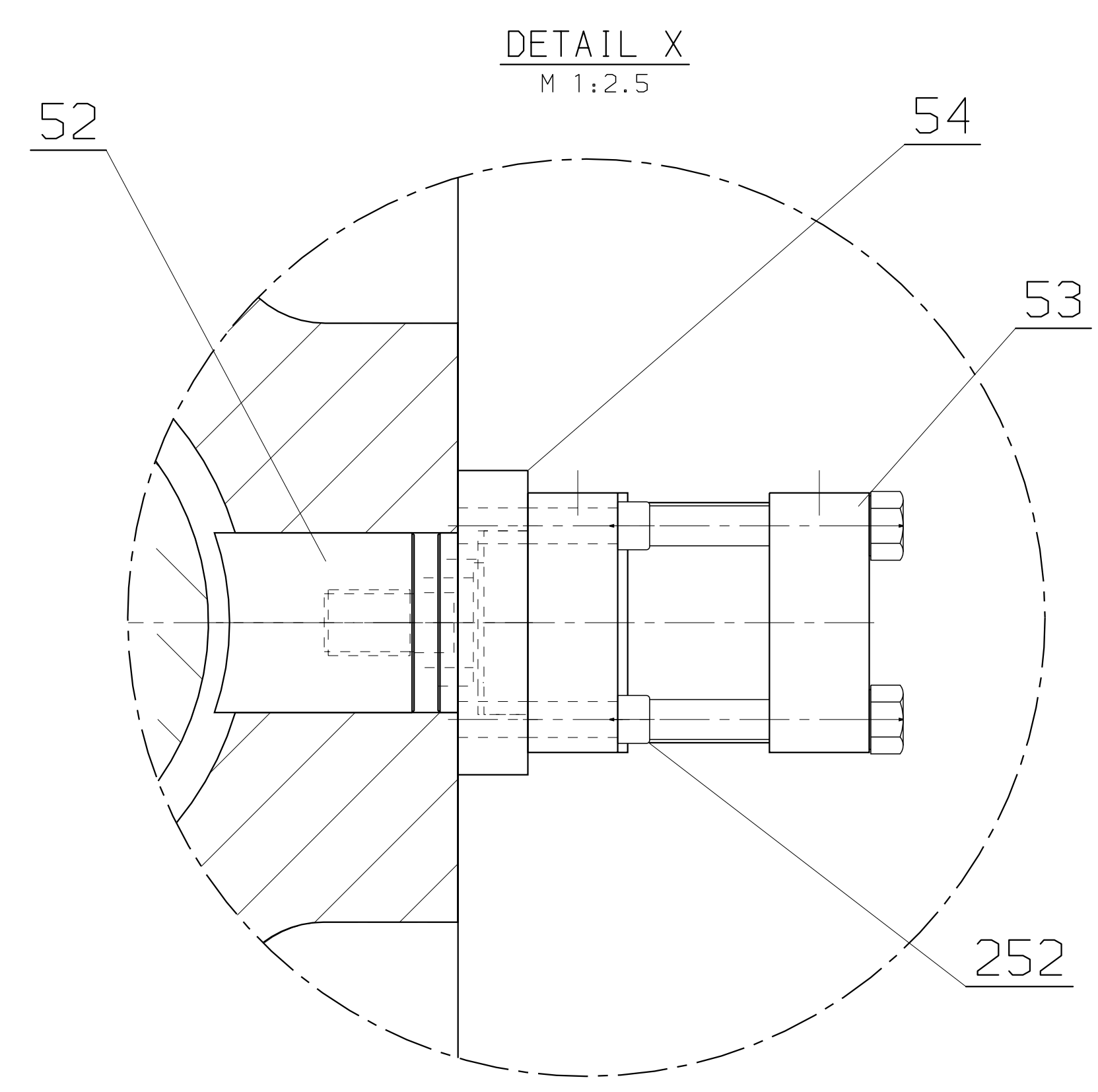
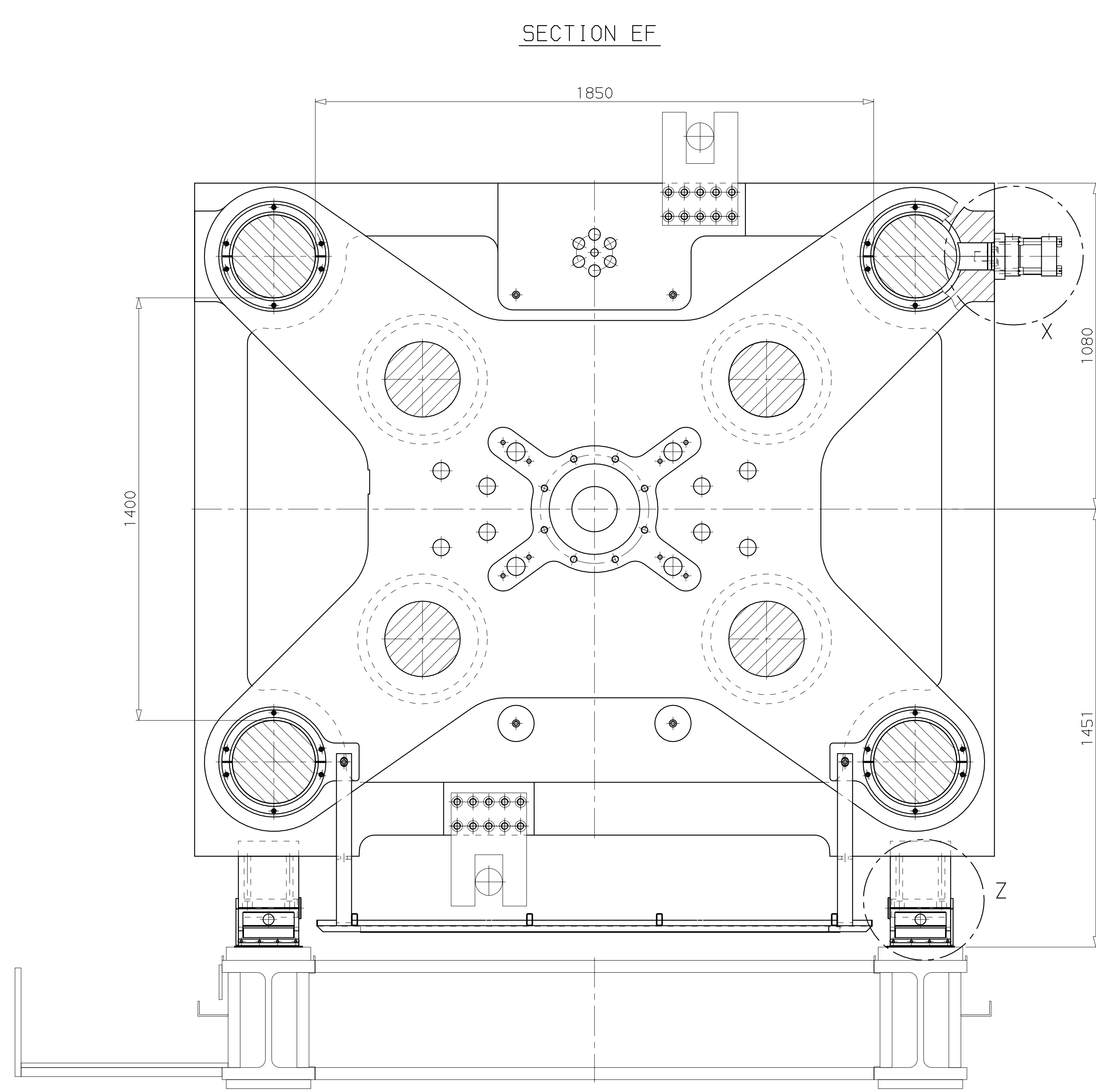
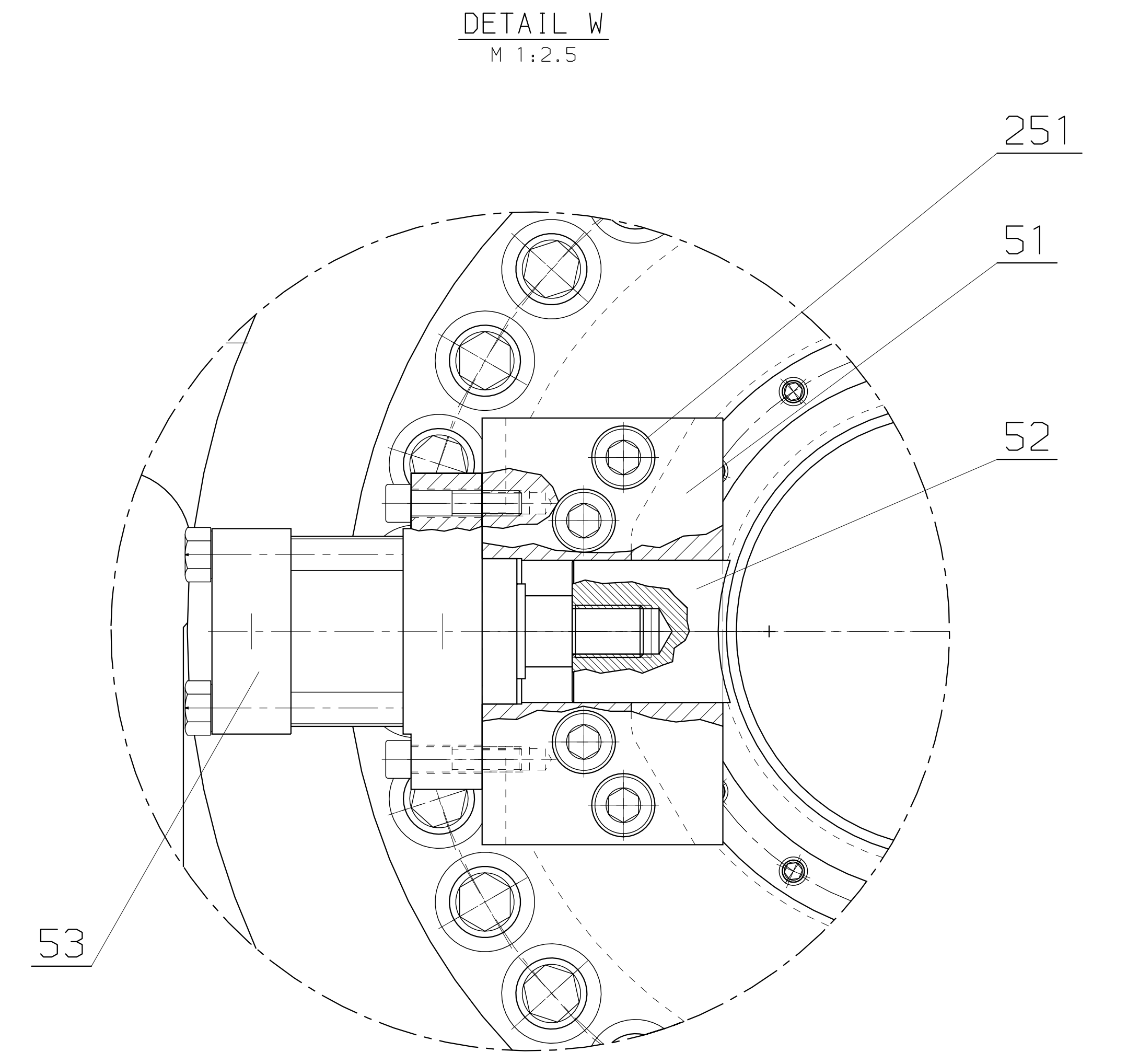
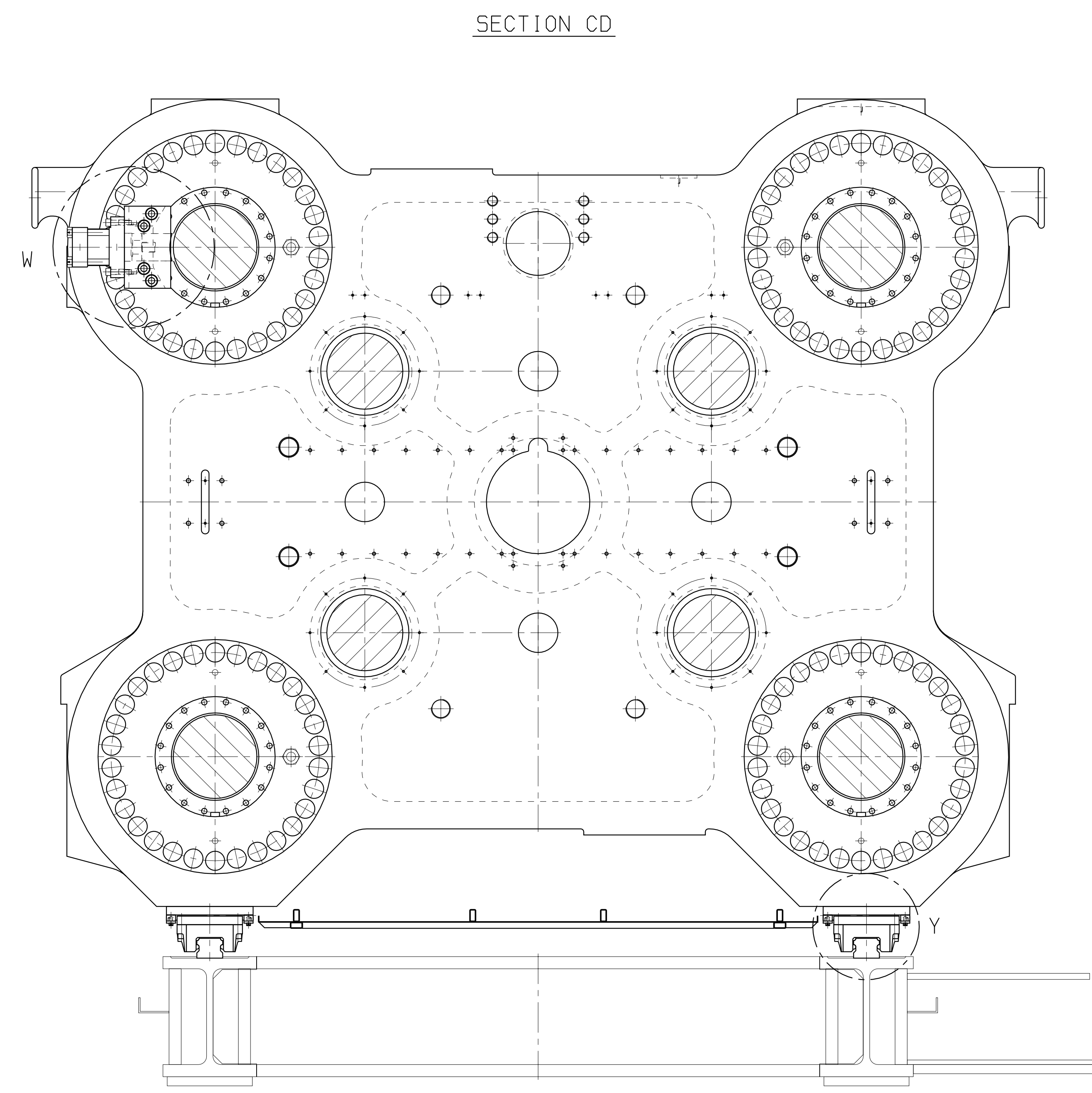
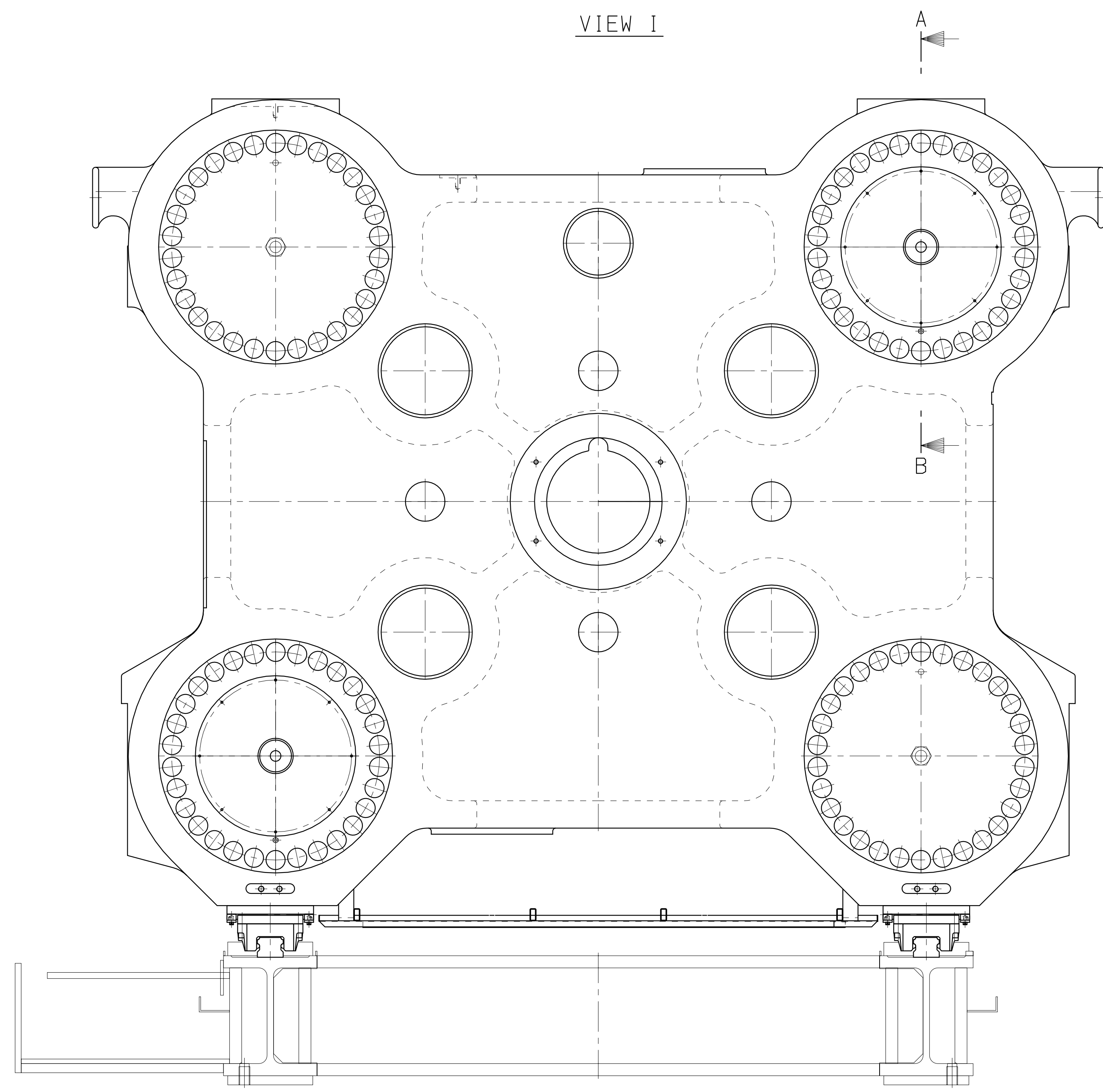


| TORQUE SPECIFICATIONS | | |
|-----------------------|--------|--------------------|
| Thread | M (Nm) | Pos. No. |
| M8 | 11 | 240 |
| M8 | 26 | 235, 236, 237 |
| M10 | 51 | 233 |
| M12 | 87 | 229, 229, 230, 231 |
| M16 | 215 | 217, 218, 221, 225 |
| M20 | 420 | 214, 215, 219 |
| M24 | 720 | 210, 211 |
| M30 | 1450 | 208, 209 |
| M36 | 2400 | 204, 205 |
| M42 | 3800 | 200, 201, 202 |

RELEASED
MICROFILM
REV. # 10

| | | | | | |
|--|----------------|---------------------------------|-----------|---------|-----|
| REV | NO | DESCRIPTION | DATE | BY | CHK |
| 10 | 8000 | NEW | 14-JUL-97 | | |
| REV | NO | DESCRIPTION | DATE | BY | CHK |
| 1 | 10 | TIE ROD AND PLATEN ASSY. 2000DK | 14-JUL-97 | | |
| MATERIAL | STEEL | | | | |
| FINISH | ZINC PLATED | | | | |
| SCALE | 1:10 | | | | |
| DRWING NO | 0174-450-3024E | | | | |
| PART WEIGHT IN Kg. | | | | | |
| DIM. | METERS | | | | |
| TOL. | MICRO METERS | | | | |
| THIS DRAWING AND THE INFORMATION HEREIN IS CONFIDENTIAL AND MUST NOT BE REPRODUCED OR USED IN ANY WAY WITHOUT WRITTEN PERMISSION OF ENGEL USA INC. | | | | | |
| SHEET 1 of 2 | | | | REV. 10 | |

ENGEL
YORK - USA



RELEASED
MICROFILM
REV. # 10

| | | | | | | | |
|--|---------|----------|--|-----------|----------------|-------|------|
| REV# | DATE | REVISION | DRW'N | DATE | BY | CHK'D | DATE |
| 10 | 4/15/87 | NEW | | 14-JUL-87 | | | |
| 11 | 8/24/87 | REVISION | | 14-JUL-87 | | | |
| 12 | 8/24/87 | REVISION | | 21-AUG-87 | | | |
| SCALE DESCRIPTION | | | NAME | | DATE | | |
| 1: 10 | | | TIE ROD AND PLATEN ASSY. | | ENGEL | | |
| | | | 2000DK | | YORK - USA | | |
| MATERIAL | | | NAME | | DATE | | |
| STOCK CODE # | | | DRW'N | | DATE | | |
| BREAK SHARP CORNERS | | | BY | | DATE | | |
| FROM 0.5 0.6 0.8 1.0 1.2 1.5 2.0 2.5 3.0 4.0 | | | REPLACES | | 095045000000 | | |
| SIZE 12 0.01 0.03 0.05 0.08 0.1 0.15 0.2 0.3 0.5 0.8 1.0 1.5 2.0 2.5 3.0 4.0 | | | DRAWING NO. | | 0174-450-3024E | | |
| FINE # 0.05 0.1 0.15 0.2 0.3 0.5 0.8 1.0 1.5 2.0 2.5 3.0 4.0 | | | SHEET | | 2 of 2 | | |
| MEDIUM # 0.1 0.2 0.3 0.5 0.8 1.2 2.0 3.0 4.0 | | | REV. | | 10 | | |
| DIM. METERS COARSE # 0.2 0.5 0.8 1.2 2.0 3.0 4.0 | | | PART WEIGHT IN Kg. | | | | |
| | | | THIS DRAWING AND THE INFORMATION HEREIN IS CONFIDENTIAL AND MUST NOT BE REPRODUCED OR USED IN ANY WAY WITHOUT WRITTEN PERMISSION OF ENGEL USA INC. | | | | |