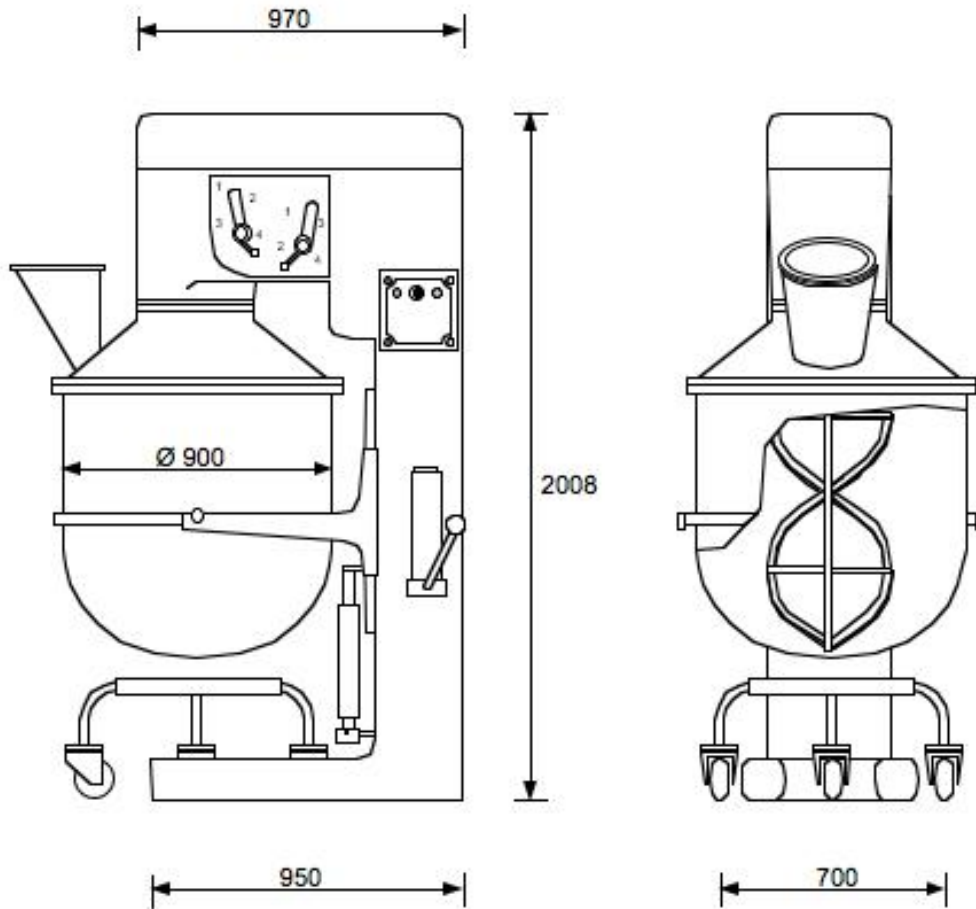


# COPRINOX

# MIXER

Code n° MXS 006 0020

Location ref: 90 G1

CAPACITY LITERS 600

SHELL SIDE

JACKET/COIL SIDE

Design Pressure KG/cm2  
Design Temperature °C  
Material

AISI 316

MIXER TYPE: PLANETAIRE MIXERCover type: \_\_\_\_\_  
Shaft seal: \_\_\_\_\_Installed power HP: 7,5  
Shaft speed RPM: \_\_\_\_\_ANCC or ISPEL certification: NOT  
Availability in stock n° 01 unitsMANUFACTURER : COLETTE TYPE MP4500 USED  
 USED RECONDITIONED  
 UNUSEDWEIGHT (approx) Kg 1900

## NOZZLE DIMENSIONS

Pos	Service	Size inch.
A		
B		
C		
D		
E		

NOTE \_\_\_\_\_  
\_\_\_\_\_  
\_\_\_\_\_