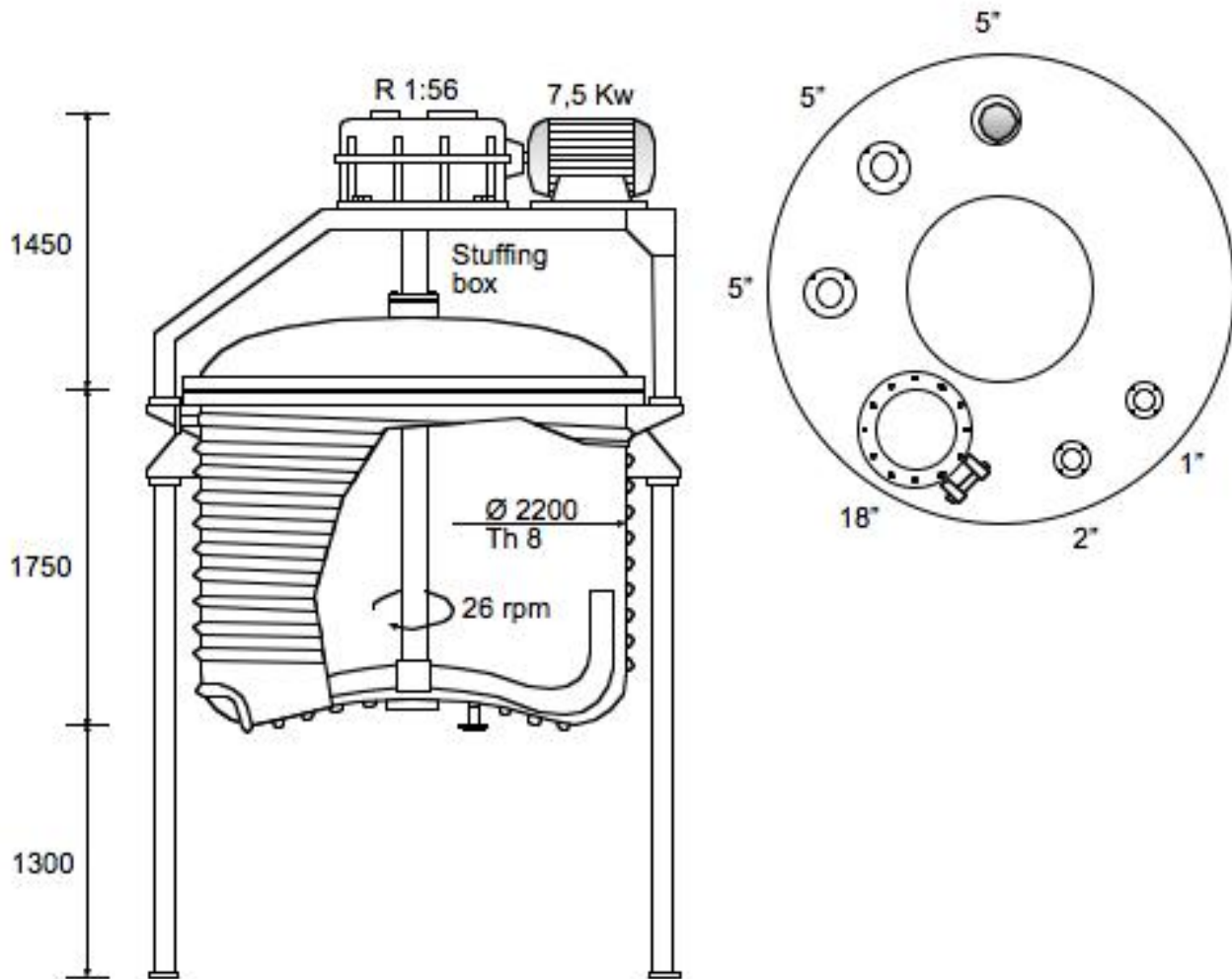


COPRINOX

AGITATED VESSEL

Code n° **RAS 075 0918**

Location ref: 96 S1



CAPACITY LITERS <u>7.500</u>	SHELL SIDE	JACKET/COIL SIDE	
Design Pressure KG/cm2 Design Temperature °C Material	AISI 304	AISI 304	
ANCC or ISPESL certification: <u>NOT</u> Availability in stock n° <u>02</u> units	NOZZLE DIMENSIONS		
MANUFACTURER: _____	Pos	Service	Size inch.
<input checked="" type="checkbox"/> USED <input type="checkbox"/> USED RECONDITIONED <input type="checkbox"/> UNUSED	A		
	B		
	C		
	D		
	E		
WEIGHT (approx) Kg _____	NOTE RAS.075.0919		