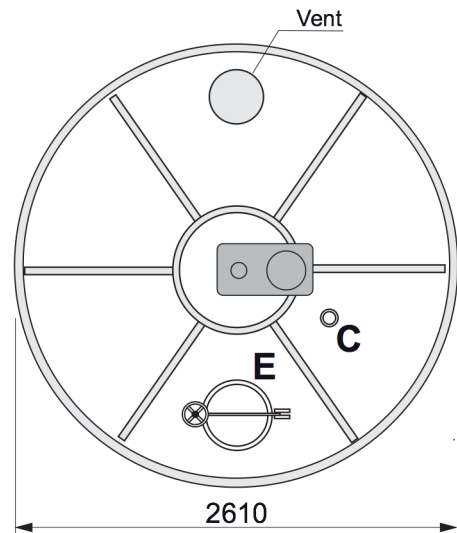
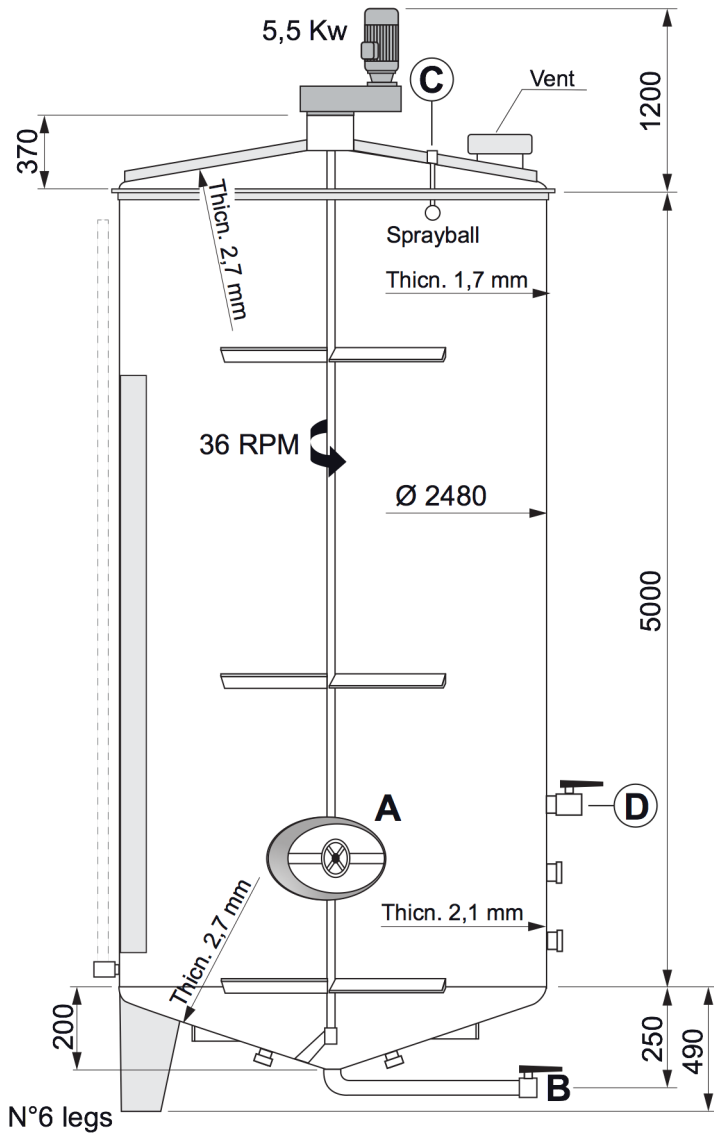


COPRINOX

VESSEL

Code n° **VV 250 1593**

Location ref: 19 C3



CAPACITY LITERS 24.800		SHELL SIDE	JACKET/COIL SIDE
Design Pressure KG/cm2		Atm	--
Design Temperature °C		--	--
Material		AISI 304	--
ANCC or ISPESL certification: <u>N.A</u>		NOZZLE DIMENSIONS	
Availability in stock n° <u>1</u> units			
MANUFACTURER _____		Pos	Service
<input checked="" type="checkbox"/> USED <input type="checkbox"/> USED RECONDITIONED <input type="checkbox"/> UNUSED		A	Side Manhole
		B	Product outlet
		C	CIP Sprayball
		D	Product inlet / Service
		E	Top Manhole
WEIGHT (approx) Kg 1400		NOTE _____	