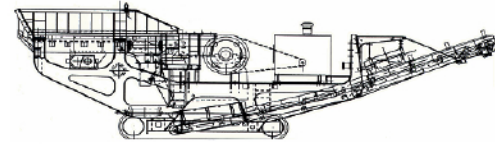




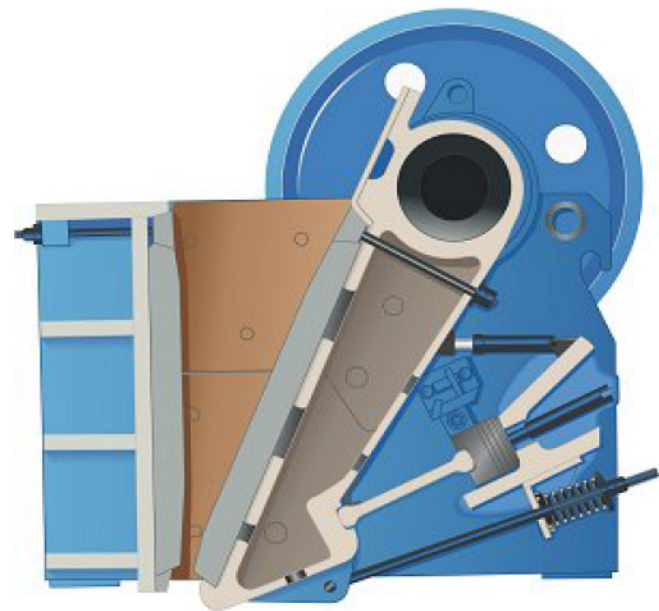
1100 x 650 PREMIERTRAK SPECIFICATION



Above image features an 1100 x 650 Premiertrak fitted with the optional side conveyor and overband magnetic separator.

JAW CRUSHER

Crusher type:	'M' Series Single Toggle Jaw.
Feed opening:	3'-7" x 2'-2".
Bearings:	Self aligning spherical rollers.
Lubrication:	Eccentric shaft roller bearings lubricated by grease.
Drive:	Through wedge belts with screw tension adjustment on engine.
Pre-set:	3" CSS.
Minimum setting:	2" closed side on concrete. 3" CSS on natural rock not exceeding a 10% fines value of 390kN. Setting measured from root to tip of opposite tooth. For applications outside this range, please consult TP.
Maximum setting:	5".
Adjustment:	Manual adjustment system with hand operated hydraulic pump.



HOPPER

Hopper type:	Hydraulic folding feed hopper.
Hopper length:	15'-0".
Hopper width:	7'-11".
Hopper capacity:	Up to 11 cu.yd gross depending on method of feed.
Hopper body:	5/8" thick Hardox wear resistant steel plate with suitably braced steel sections.



1100 x 650 PREMIERTRAK SPECIFICATION

VIBRATING GRIZZLY FEEDER

Type:	Spring mounted vibrating pan.
Vibrating Unit:	Twin heavy-duty cast eccentric shafts running in spherical roller bearings, gear coupled at drive end.
Length:	14'-0"
Width:	3'-6"
Drive:	Flange mounted hydraulic motor
Grizzly:	5'-5" long stepped carriage type grizzly with nominal 2.5" aperture tapered from front to back.
Control:	Variable speed control through a proportional flow control valve.



PLANT CHUTEWORK

Crusher feed chute:	Fabricated in 1/2" mild steel plate sides with 1" thick bottom plate.
Grizzly fines chute:	A two-way dirt chute is provided to discharge to the on plant product conveyor or the optional dirt conveyor fabricated in 1/4" mild steel plate, complete with hand operated flap door to the direct grizzly fines to either the optional side dirt conveyor or the main product conveyor.



ON PLANT PRODUCT CONVEYOR

Conveyor type:	Troughed belt conveyor with hydraulic raise /lower of the tail section.	Belt adjustment:	Belt tensioning is by use of screw adjustment at the head drum.
Belt type:	EP500/3 with 3/16" top and 1/16" bottom heavy-duty rubber covers to BS490 and DIN 22102.	Belt covers:	Canvas type removable dust covers are fitted at the head end beyond the magnet area.
Belt width:	3'-3"	Belt scraper:	Polyurethane blades are fitted as standard.
Discharge height:	10'-7"	Lubrication:	Grease nipples located as follows: -
Drive:	Direct drive hydraulic motor	<i>Head shaft:</i>	Two nipples on the left hand side of the product conveyor.
Feedboot:	Fabricated in mild steel plate with abrasion resistant steel liners at feed point.	<i>Tail shaft:</i>	One nipple each side of the main plant chassis.
Impact cradle:	This is provided immediately below the crusher outlet under the conveyor feed point, using heavy-duty impact bars.	Skirting:	Fully skirted wear resistant rubber sealing along the entire conveyor length.

CHASSIS

Heavy duty fabricated I section of welded construction.



1100 x 650 PREMIERTRAK SPECIFICATION

POWERPACK

Powerpack type:	Caterpillar C-9
Performance:	230 HP (172kW) at 1600 rpm at sea level.
Engine:	Six cylinders, four stroke, direct Injection.
Fuel tank capacity:	114 gal

CLUTCH

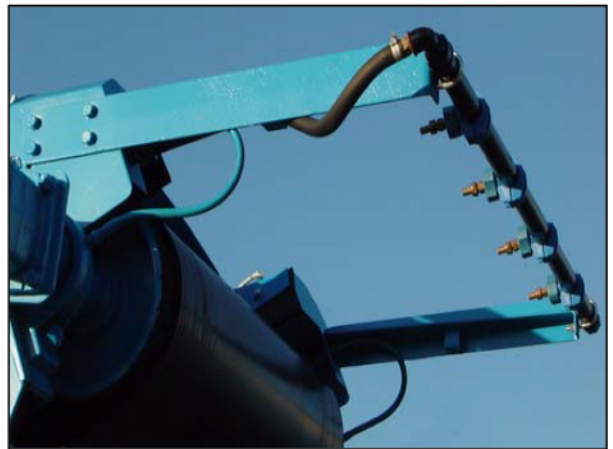
Clutch type:	High efficiency, self-adjusting HFO clutch with electro-hydraulic operation.
---------------------	--



DUST SUPPRESSION SPRAYS

Sprays bars with atomiser nozzles are mounted over the crusher mouth and the product conveyor feed and discharge points piped to an inlet manifold for client's pressured water supply.

Type:	Clean water multi atomising nozzles.
Inlet:	Single Point on chassis.
Pressure required:	2.8 bar (42 psi).
Water supply:	1.8 gallons per minute
Frost protection:	Via system drain valves.
Pump:	Optional extra.



CRAWLER TRACKS

Type:	Heavy-duty tracks fitted as standard.
Pitch:	7'-5"
Longitudinal centres:	12'-6"
Track width:	1'-8"
Climbing grade:	25° maximum.
High speed:	0.96 km/hr.
Slow speed:	0.321 km/hr.
Drive:	Hydraulic integral motors.
Track tensioning:	Hydraulic adjuster, grease tension.



GUARDS

Wire mesh or sheet metal guards are provided for all drives, flywheels, pulleys & couplings.

The guards provided are designed and manufactured to CE & ANSI standards.



1100 x 650 PREMIERTRAK SPECIFICATION

PLATFORMS

Maintenance platforms are provided on each side of the crusher with double row handrails and access ladders. Platforms are also included to gain access between the crusher and the powerpack.



TOOLBOX

A plant mounted lockable toolbox is provided containing spare crusher shims, operators manual, hopper wedges, jawstock support cylinder and a grease gun.



PLANT CONTROLS

Controls are fitted onto the plant to operate the following items: -

- Feeder (Start/Stop/Speed).
- Optional Dirt Conveyor (Start/Stop).
- Product Conveyor (Start/Stop).
- Crusher (Start/Stop).



UMBILICAL CONTROL

An umbilical control unit is also supplied with the plant. This is fitted with controls for the track motion, feeder stop, start and a stop button for the plant.



1100 x 650 PREMIERTRAK SPECIFICATION

OPTIONAL EXTRAS

(For prices refer to your dealer)

- Feed hopper liner plates in Hardox 400 steel.
- Single idler belt weigher with integrator and speed sensing wheel fitted to the main product conveyor.
- Re-Fuelling pump kit.
- Heavy duty product belt (4 ply).
- Side/dirt conveyor.
- Radio remote control.
- Overband magnetic separator.

RECOMMENDED OPTIONAL EXTRAS

- Engine fire extinguisher system.
- Plant mounted hydraulic pick breaker.
- Camera mounted over crusher mouth with remote screen facility in operators' cabin.
- Hydraulic driven water pump assembly to provide a pressurised water supply to the dust suppression sprays.

ON PLANT DIRT/SIDE CONVEYOR **(OPTIONAL EXTRA)**

Conveyor type:	Troughed belt, hydraulic folding for transport.
Width:	2'-0"
Discharge height:	6'-11"
Drive:	Direct drive hydraulic motor.
Lubrication:	Grease nipples located as follows: -
<i>Head shaft:</i>	One on each bearing housing.
<i>Tail shaft:</i>	Two on each side of the main chassis below the feeder.
Skirts:	Full length.
Position:	Mounted to discharge on near side of plant.
Function:	To collect fines passing through grizzly bars and/or underscreen mesh and discharges to side of plant provided quantity of fines is not excessive.



MAGNET (OPTIONAL EXTRA)

Magnet type:	Suspended self-cleaning overband.
Magnet width:	2'-0"
Magnet length:	3'-3"
Drive:	Hydraulic Motor.
Control:	Pre-set variable speed.
Discharge chute:	Via stainless steel shedder plate.
Power:	570 Gauss at 8'-0" 450 Gauss at 10'-0"



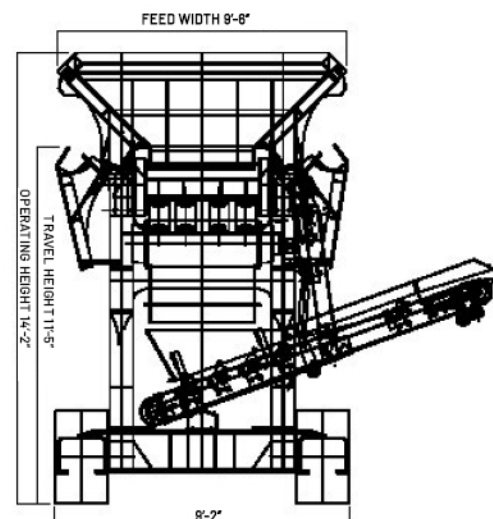
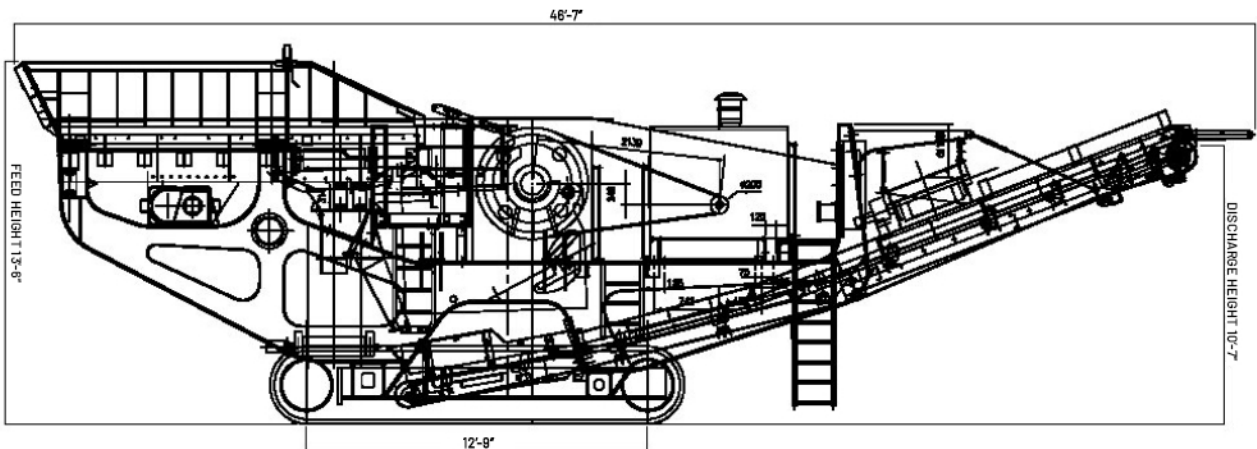
1100 x 650 PREMIERTRAK SPECIFICATION

REMOTE CONTROL (OPTIONAL EXTRA)

This option will control the tracking function and also provides stop and start controls for the vibrating grizzly feeder, together with a stop button for the plant. This facility is only available in certain countries where type approval has been obtained. For a full list of countries, please consult TP or your dealer.



PLANT DIAGRAM



APPROXIMATE OVERALL PLANT WEIGHTS & DIMENSIONS

Operating Length: 46'-7"
Operating Height: 14'-2"

Transport Length: 46'-7"
Transport Width: 9'-2"
Transport Height: 11'-5"

Total plant weight: 100,000 lbs

PAINTING

The plant is finish painted RAL 5015 Blue. The tracks and handrails are painted RAL 7012 Grey.

General

TEREX | Pegson equipment complies with CE requirements.

The plant is designed to operate between ambient temperatures of between -10c and 40c at altitudes up to 1000 meters above sea level. For applications outside this range please consult with Terex Pegson Limited.

Above line drawings feature a 1100 x 650 Premiertrak with optional side conveyor and overband magnetic separator.

Please consult TEREX | Pegson if you have any other specific requirements in respect of guarding, noise or vibration levels, dust emissions, or any other factors relevant to health and safety measures or environmental protection needs. On receipt of specific requests, we will endeavour to ascertain the need for additional equipment and, if appropriate, quote extra to contract prices. Every endeavour will be made to supply equipment as specified, but we reserve the right, where necessary, to amend the specifications without prior notice as we operate a policy of continual product development. It is the importers responsibility to check that all equipment supplied complies with local legislation.

1100 x 650 Premiertrak specification PT1165/204.