



EVORTLE SR2512

The Evortle SR2512 is for sand, gravel, topsoil, crushed/recycled concrete, and other aggregates

SPECIFICATIONS & FEATURES

Engine	74HP Hatz Tier 4 Diesel
Hopper	5.2cu.yd.
Feed Conveyor	32"
Screen Size	8'-3" x 4'-1"
Discharge Height	10'-6" (All Conveyors)
Discharge Belts	26" (Fines/Mids) 20" (Overs)

- Remote hydraulic tipping grizzly
- Wheel mounted (towable up to 50mph)
- 3 Built on conveyors

TRANSPORT DIMENSIONS

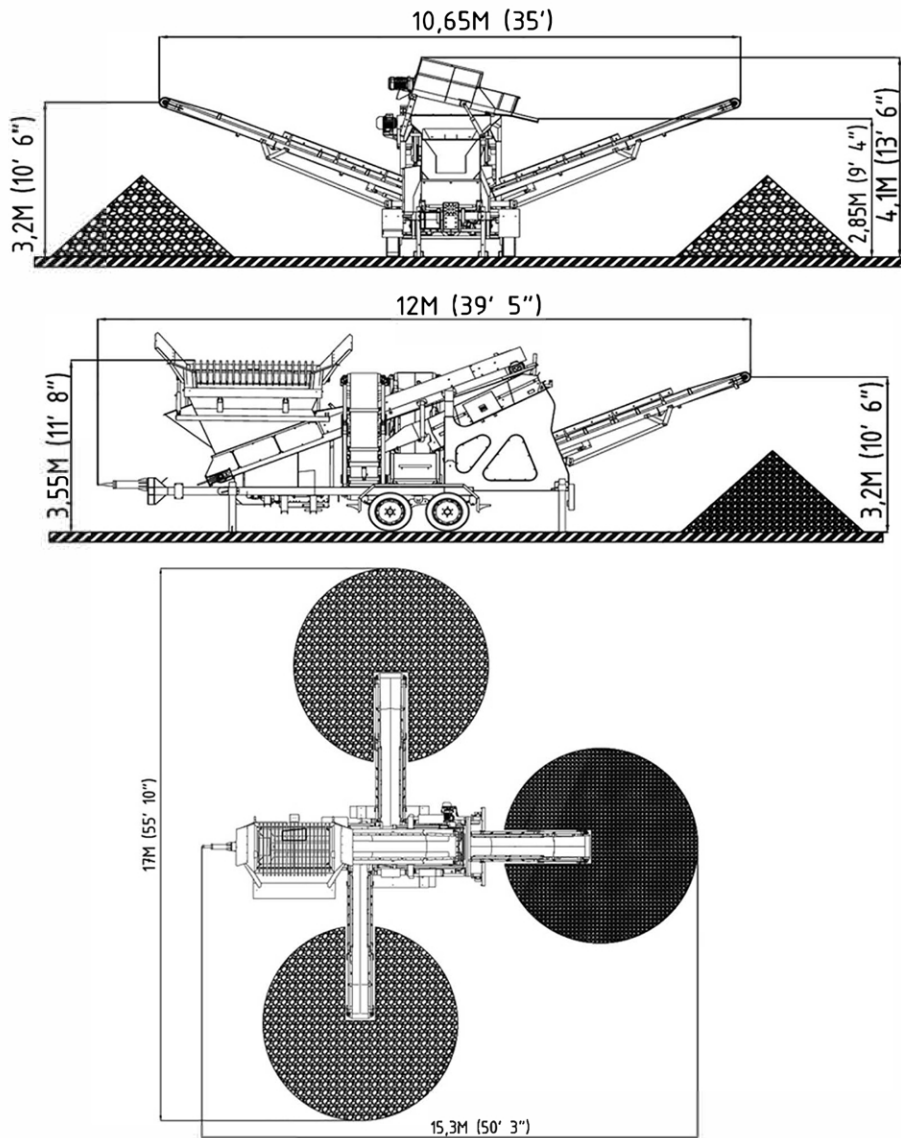
Length	29'-5"
Width	9'-3"
Height	13'-6"
Weight	18,740 lbs



**GRINDER
CRUSHER
SCREEN**

770-433-2670 | sales@grindercrusherscreen.com | grindercrusherscreen.com
GrinderCrusherScreen is a Master Distributor for this and other manufacturers

OPERATIONAL DIMENSIONS



TRANSPORTATIONAL DIMENSIONS

