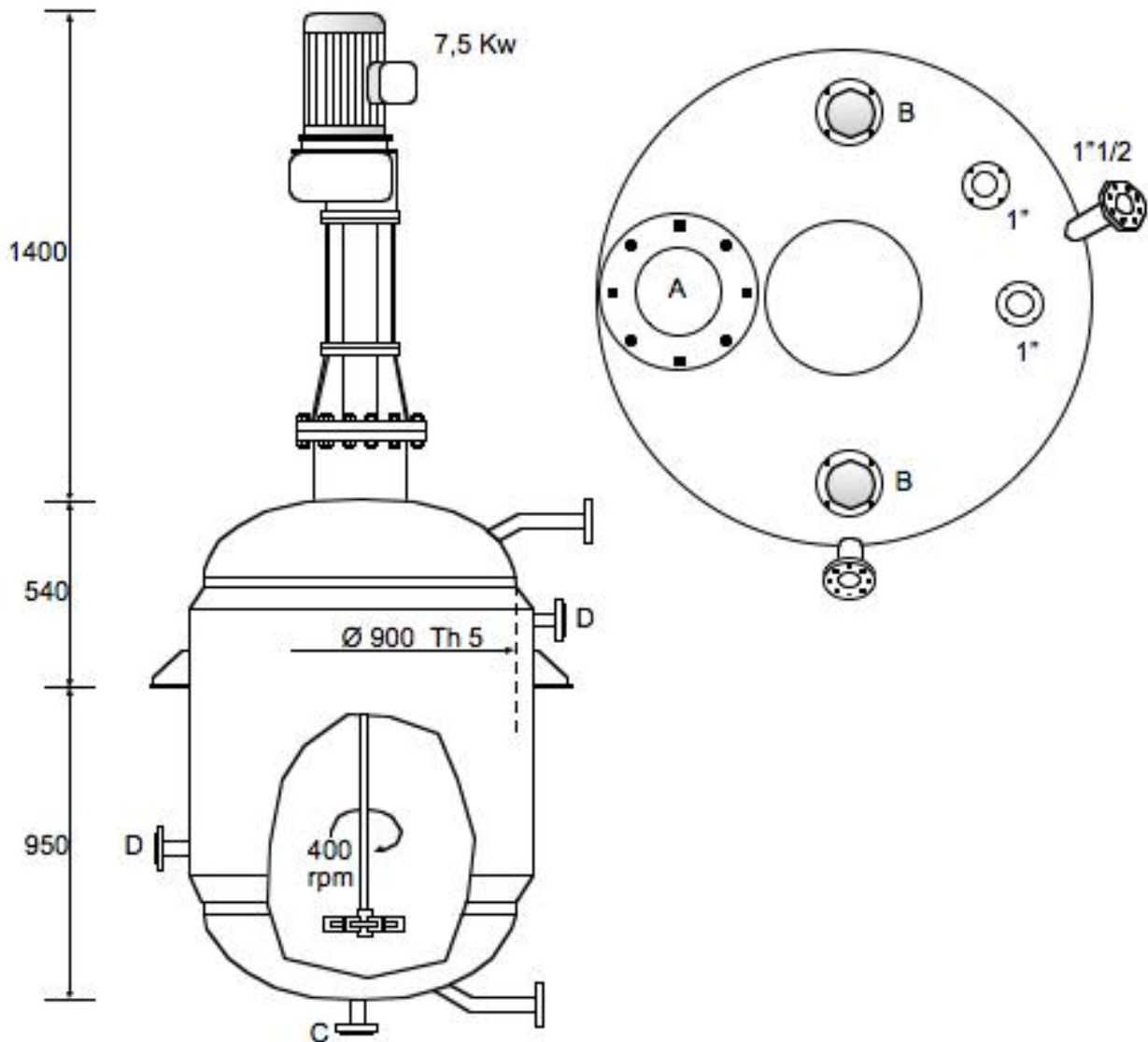


# COPRINOX

## AGITATED VESSEL

Code n° **RAJ 008 0558**

Location ref: 91 C2

CAPACITY LITERS **820**

SHELL SIDE

JACKET/COIL SIDE

Design Pressure KG/cm2  
Design Temperature °C  
Material

0,05

6

60°

100°

AISI 304

Carbon Steel

ANCC or ISPESL certification: **NOT**Availability in stock n° **01** unitsMANUFACTURER: **COSIND** USED  
 USED RECONDITIONED  
 UNUSED

## NOZZLE DIMENSIONS

Pos	Service	Size inch.
A	Solid inlet	8"
B	Sight glass	2 x 2"
C	Product outlet	1"
D	Heating medium in-out	1 1/2"
E		

NOTE

WEIGHT (approx) Kg **1200**