

# HMF 635-K



- power to lift.

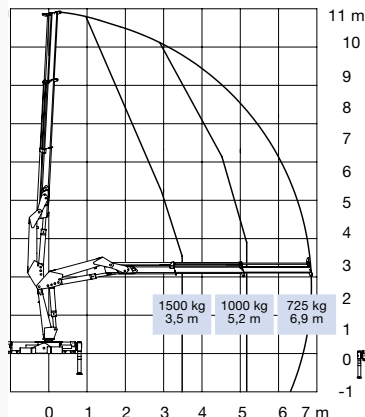
# HMF Knuckle Boom Loader 635-K

## HMF loader Series 635-K in the 6 tm range

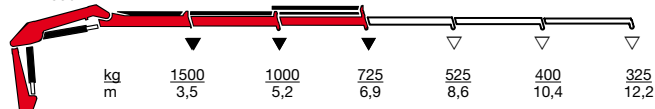
- The HMF 635-K is a loader with a hydraulic reach and lifting capacity second to none within this category.
- Equipped with manual extensions, the total reach is 12.2 metres with a lifting capacity of 325 kg.
- Ideal for mounting on medium-sized trucks.
- The 635-K is suitable for hook applications as well as hydraulic accessory applications such as grab and rotator.
- Excellent close-range lifting capacities combined with a long out-reach and high working speed make the loader very flexible.
- Oil regeneration system in all extension cylinders, providing high working speeds on the movements of the jib extension system.
- Available as standard with HMF's totally integrated user-friendly RCL Safety System, which only intervenes when absolutely necessary.
- The loader series is available with the following options: radio remote control, winch, transport alarm and temperature monitoring.

Loading group B3	635-K2	
Load moment	tm	5.2
Hydraulic reach	m	7.0
Slewing torque	kgm	980
Slewing angle	°	400
Height above chassis	mm	1843
Width, folded	mm	2200
Length of loader, no extra valves	mm	583
Length of loader, with extra valves	mm	768
Stabilizer spread, standard	mm	3400
Stabilizer spread, extra long	mm	4760
Stabilizer spread, double extension	mm	5500
Weight excl. stabilizers	kg	815
Weight of stabilizers, standard	kg	120
Working pressure	MPa	27.5
Pump performance	l/min	25
Oil capacity in base	l	33.5
Power consumption	kW	12.3
Hook height 1 m from column	m	2.3

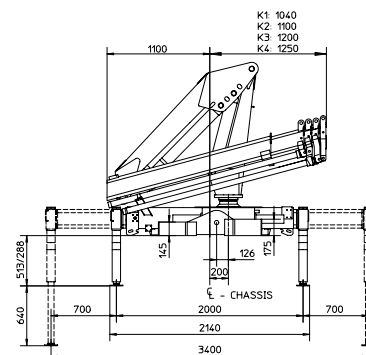
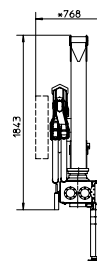
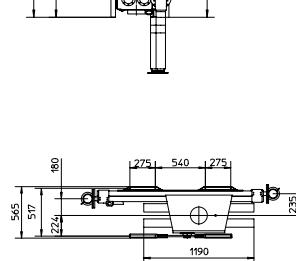
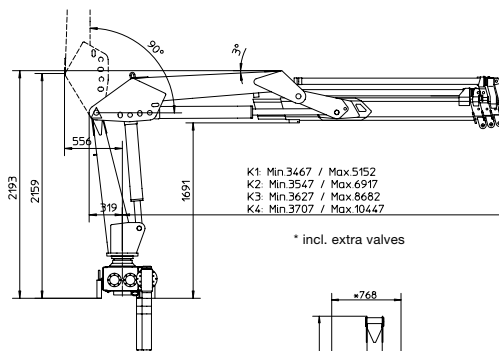
HMF 635-K2



HMF 635-K2



- ▼ Lifting capacity without manual extensions
- ▽ Lifting capacity with manual extensions



Z008387-3



Højbjerg Maskinfabrik A/S • Oddervej 200 • DK-8270 Højbjerg  
Tel.: +45 8627 0800 • Fax: +45 8627 0744 • info@hmf.dk

www.hmf.dk

We reserve the right to introduce improvements and modifications