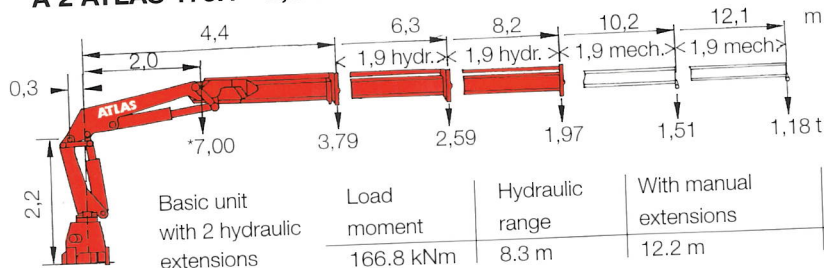
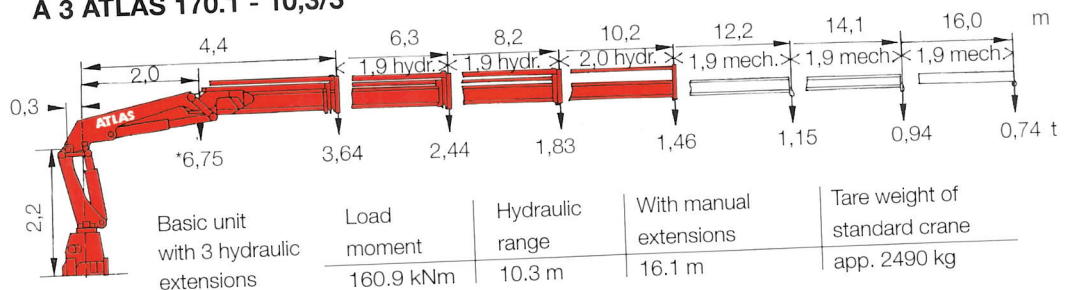


ATLAS 170.1 – a truck loading crane

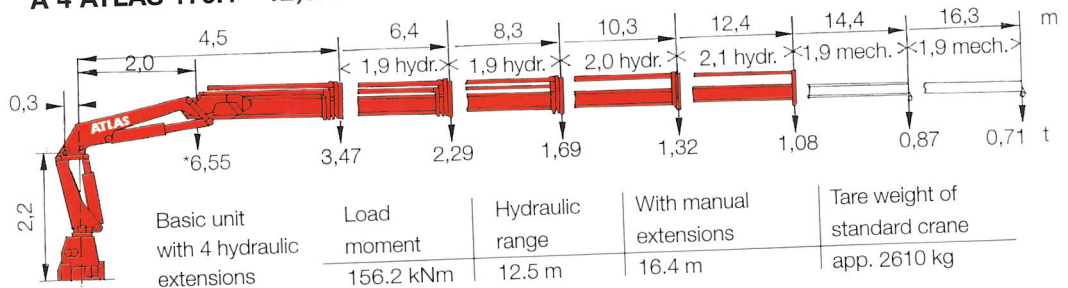
A 2 ATLAS 170.1 - 8,3/2



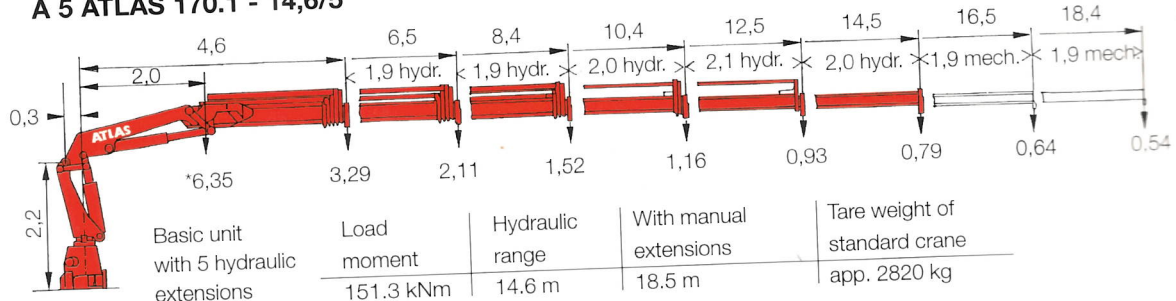
A 3 ATLAS 170.1 - 10,3/3



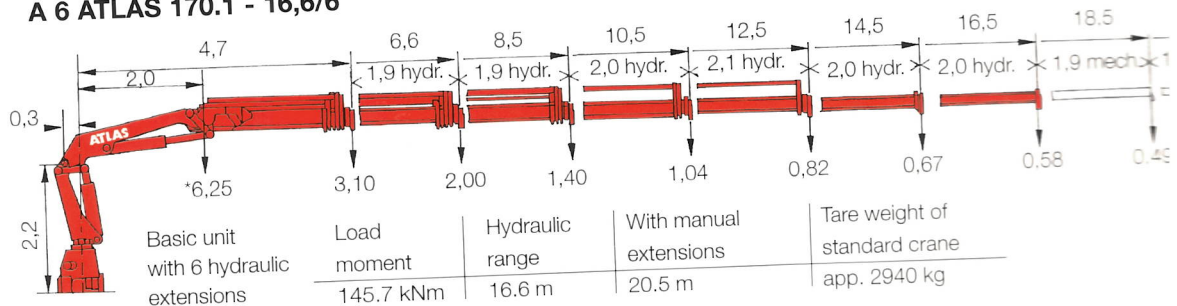
A 4 ATLAS 170.1 - 12,5/4



A 5 ATLAS 170.1 - 14,6/5



A 6 ATLAS 170.1 - 16,6/6



170 kNm (17 mt) load moment category with the "intelligent"

Technical data A2 to A

Classification as per DIN 15018	H 1 – B 3
Operating pressure	270 bar max.
Recommended pump delivery rate	45 l/min
Slewing range	410 degrees
Standard width between stabilisers	5.3 m
Additional width between stabilisers	5.9 m
Additional width between stabilisers	6.7 m
Space required in transport position:	
Basic unit A2 to A4	.10 x 2.5 m min.
Basic unit A5 and A6	1.2 x 2.5 m min.
Laterally extended stabilisers, depending on design	350 – 540 kg approx.
Oil tank and oil content	160 kg approx.

Technical data A12

Classification as per DIN 15018	H1 – B 3
Operating pressure	270 bar max.
Recommended pump delivery rate	45 l/min
Slewing range	410 degrees
Width between laterally extended hydraulic stabilisers	6.1 m
Crane base – length/width	min. 0.8/2.5 m
Weights:	
Laterally hydr. extended stabilisers	460 kg approx.
Oil tank and oil	160 kg approx.

General notes

- Data for the folding cranes based on a boom position of 15°
- For stationary installation, the operating pressure must be reduced
- Additionally inserted mechanical extensions reduce the load capacity
- Dimensions in "m" · load capacities in metric tons "t"
- At the additional hook point on the jib

