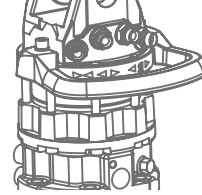


SIX WAY FLANGED ROTATORS

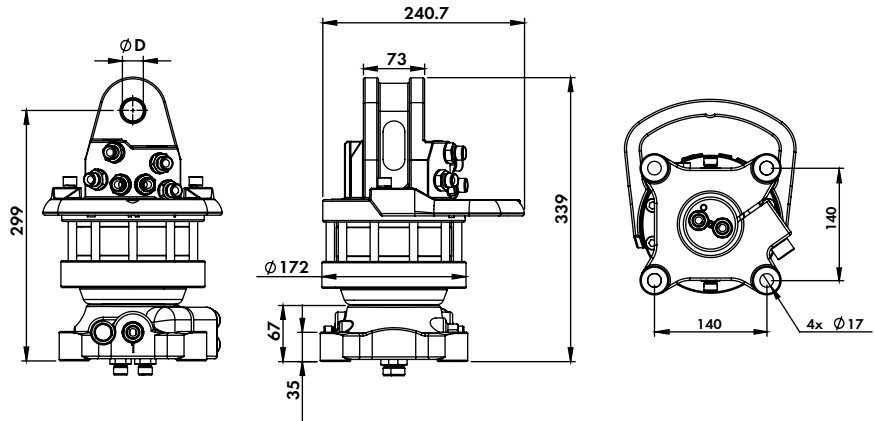


FR F S6X

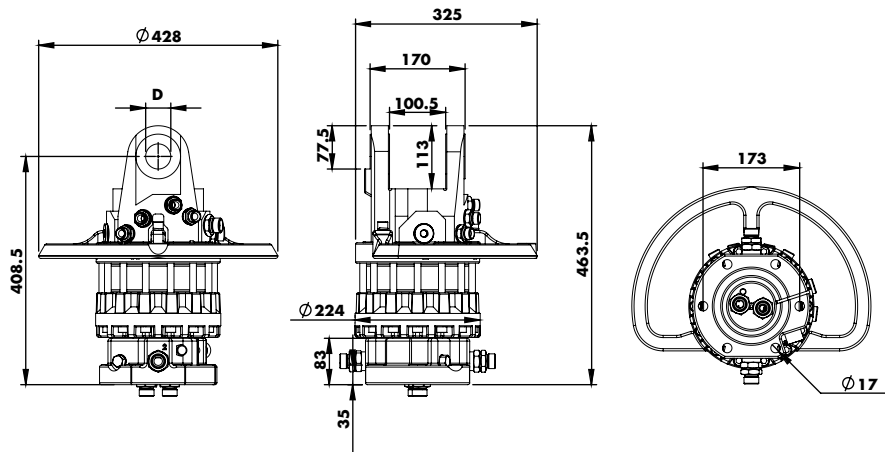
FR 50 F S6X



04



FR 128 F S6X



MODELS	STATIC LOAD	DYNAMIC LOAD	WEIGHT	PRESSURE			ROTATION	TORQUE	OIL FLOW	D
				GC	R	GO				
	kg	kg	kg	bar			Nm	l/min	mm	
FR 50 F S6X	5000	2500	36	300	250	200	360° cont.	1100	20	25
FR 128 F S6X*	12000	6000	78	300	250	200	360° cont.	2900	30	45

*With Double Bearing