

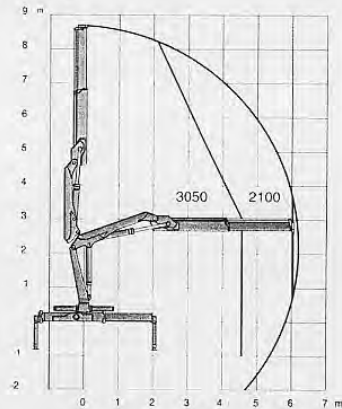
Technical Data, HMF 1460 Series

Loading group B3		1463-K1	1463-K2	1463-K3
Load moment	tm	12.8	12.7	12.3
Hydraulic reach	m	6.1	7.9	9.9
Slewing torque	kgm	1680	1680	1680
Slewing angle	°	410	410	410
Height above chassis	mm	2270	2270	2270
Width, folded	mm	2450	2450	2450
Length of base, no extra valves	mm	800	800	800
Length of base with extra valves	mm	855	855	855
Stabilizer spread, standard	mm	4665	4665	4665
Stabilizer spread, double ext.	mm	5700	5700	5700
Weight excl. stabilizers	kg	1470	1580	1705
Weight of stabilizers, std.	kg	196	196	196
Working pressure	MPa	26.5	26.5	26.5
Pump performance	l/min	50	50	50
Oil capacity in base	l	37	37	37
Oil tank capacity (seperate tank)	l	70	70	70
Power consumption	kW	20	20	20
Hook height 1 m from column	m	2.77	2.75	2.71

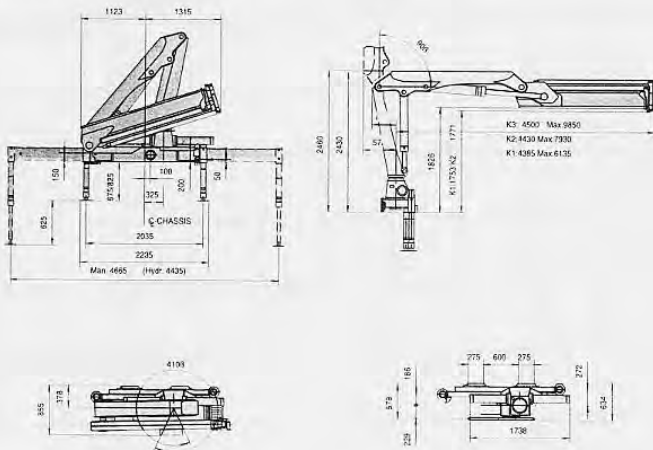
1463-K1

values stated in kg

B3



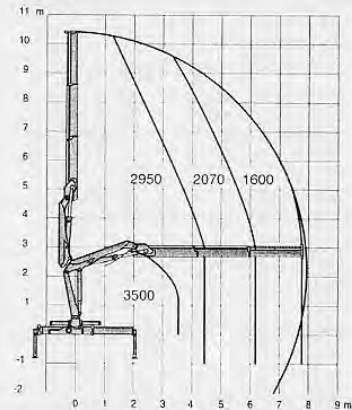
Dimension Sketch



1463-K2

values stated in kg

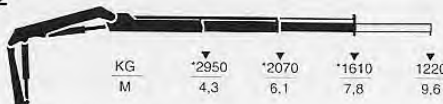
B3



1463-K1



1463-K2



* Lifting capacity, no manual extensions

1463-K3



* Lifting capacity, no manual extensions

1463-K3

values stated in kg

B3

