

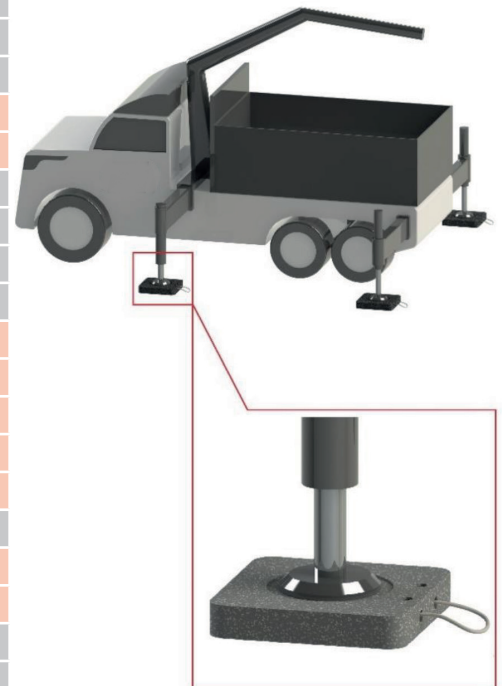
PLACAS PLANAS
SQUARE PADS



Placas de polietileno PE H.D. 1000
y de alta resistencia
*Stabilizer pads PE H.D. 1000 in high
resistant polyethylene*

Bajo pedido
disponibles sin receso
*Also available on
request without groove*

Modelli Models	Dimensioni Dimension	Peso Weight	Capacità Capacity	Gru/Cranes Ton/m	Incavo Groove
	cm	kg	ton	Fino a / up to	mm
FSB 20	20x20x3	1	6	6	120
FSB 25	25x25x3	1,8	7	7	120
FSB 30	30x30x2	1,7	8	8	220
FSB 30	30x30x3	2,5	11	12	220
FSB 30	30x30x4	3,5	13	18	220
FSB 40	40x40x4	6	17	20	300
FSB 40	40x40x5	8	19	25	300
FSB 50	50x30x2	2,87	10	12	200x460
FSB 50	50x50x4	10	24	30	300
FSB 50	50x50x5	12,5	29	50	300
FSB 50	50x50x6	15	31	60	300
FSB 60	60x30x4	7	19	22	
FSB 60	60x40x4	9	24	25	300
FSB 60	60x60x4	14,4	34	40	400
FSB 60	60x60x5	18	36	90	400
FSB 60	60x60x6	21	41	100	510
FSB 70	70x70x6	29	43	110	400
FSB 80	80x80x5	32	47	120	500
FSB 80	80x80x6	38	50	140	500
FSB 100	100x100x4	39	54	150	500
FSB 100	100x100x5	48	58	160	500
FSB 100	100x100x6	58	72	180	500
FSB 100	100x100x8	78	115	200	500
FSB 120	120x120x8	115	144	250	500
FSB 140	140x140x4	73,5	70	180	500



PRECIOS PLACAS EN STOCK:

FSB 30x30x3 = 85 €, -25% dto = 64 € (Jaula= 71 €)
 FSB 40x40x5 = 140 €, -25% dto = 105€ (Jaula= 86 €)
 FSB 50x50x5 = 199 €, -25% dto = 150€ (Jaula= 95 €)
 FSB 50x50x6 = 226 €, -25% dto = 170€ (Jaula= 95 €)
 FSB 60x60x5 = 261 €, -25% dto = 196 € (Jaula= 109 €)
 FSB 60x60x6 = 314 €, -25% dto = 236 € (Jaula = 109 €)

Posibilidad de suministrar modelos con dimensiones especiales respecto a las estandar indicadas.
Possibility to provide models with special dimensions compliance with the standards indicated.