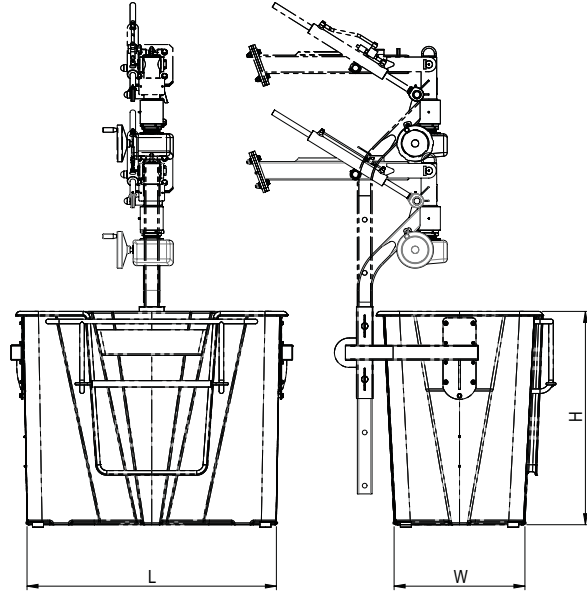




# ROTATING PERSONNEL BASKETS

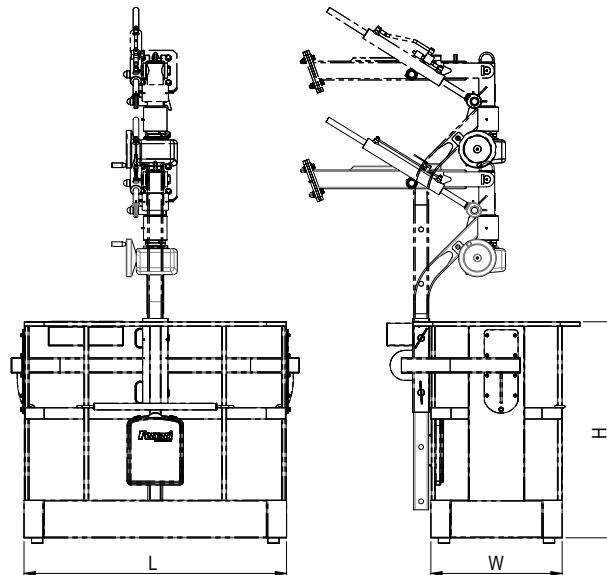
## SKYLER 2 200 FB



MODEL	L	H	W	ROTATION	WEIGHT	MAXIMUM CAPACITY	INSULATION	MAX NO. OPERATORS
	mm	mm	mm		kg	kg	kv	no.
SKYLER 2 200 FB	1360	1165	715	360°	152	200	1	2

KIT FULLMATIC needed for norm EN 280

## AGLY SKYLER



MODEL	L	H	W	ROTATION	WEIGHT	MAXIMUM CAPACITY	INSULATION	MAX NO. OPERATORS
	mm	mm	mm		kg	kg	kv	no.
AGLY SKYLER ST	1400	1152	700	360°	178	200	1	2

KIT FULLMATIC needed for norm EN 280

Technical Data can be revised without prior notice