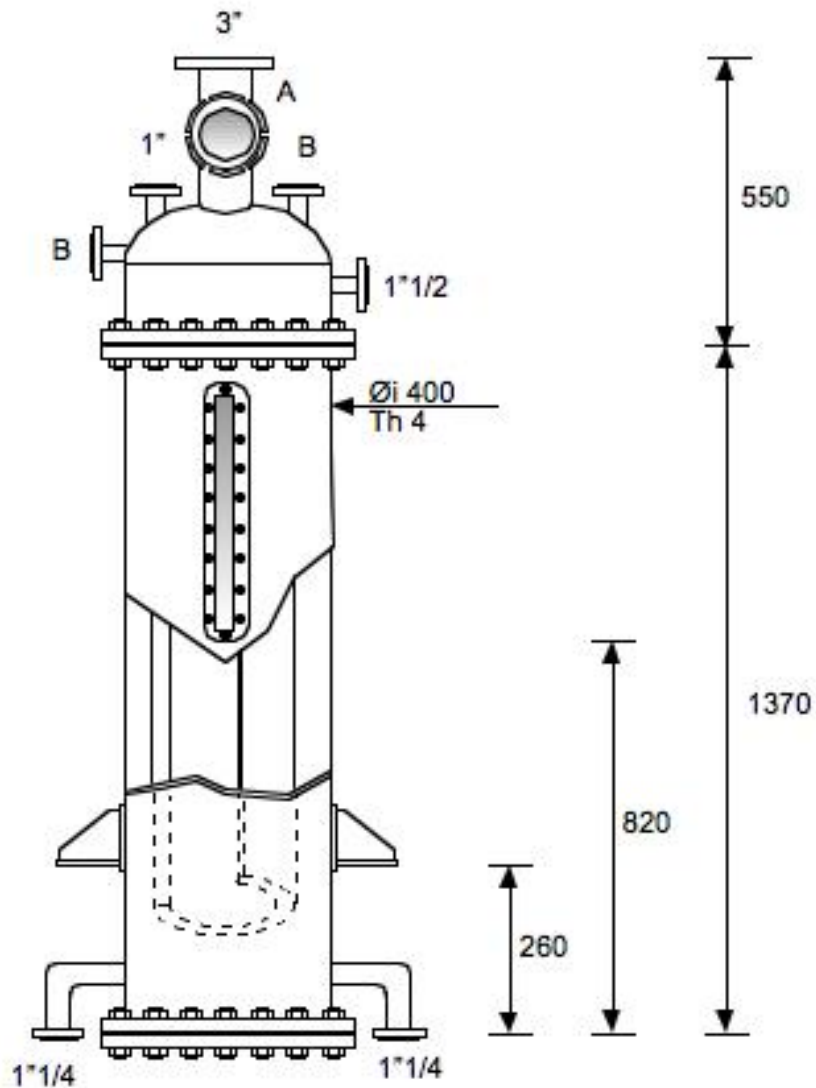


COPRINOX

VESSEL

Code n° VVC 002 0540

Location ref: 90 C1

CAPACITY LITERS 200

SHELL SIDE

JACKET/COIL SIDE

Design Pressure KG/cm2
Design Temperature °C
Material

4

150°

AISI 304

AISI 304

ANCC or ISPESL certification: MI 525656
Availability in stock n° 01 units

NOZZLE DIMENSIONS

Pos	Service	Size inch.
A	Sight glass	3"
B	Heating medium in-out	1"1/4
C		
D		
E		

MANUFACTURER F.B.M.

- USED
 USED RECONDITIONED
 UNUSED

NOTE

WEIGHT (approx) Kg 350